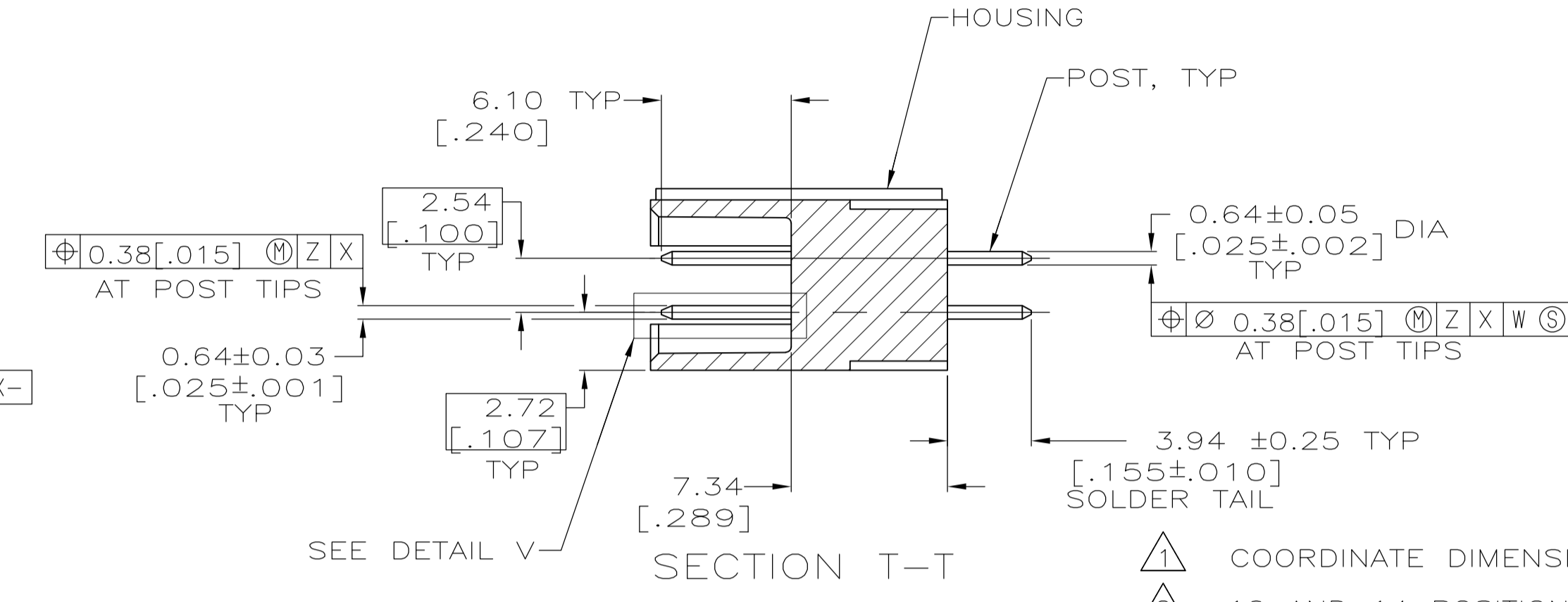
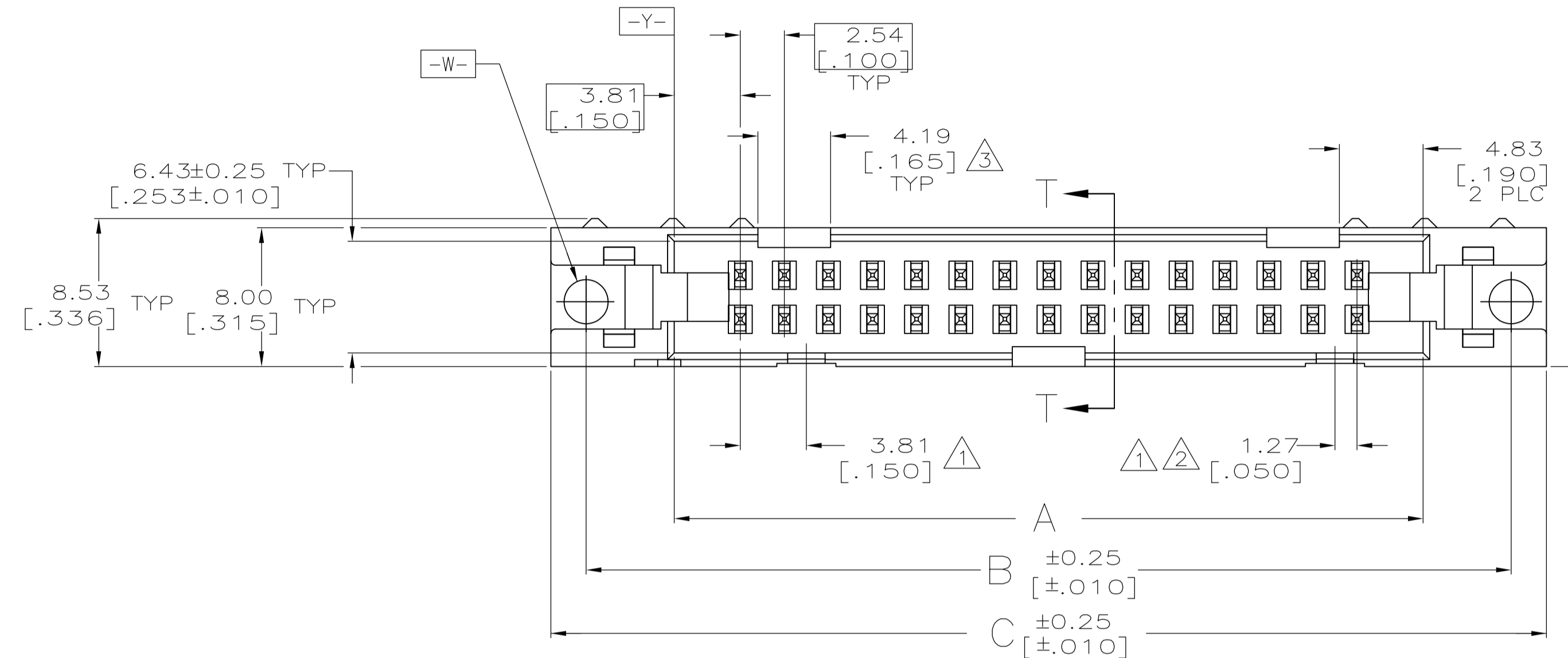
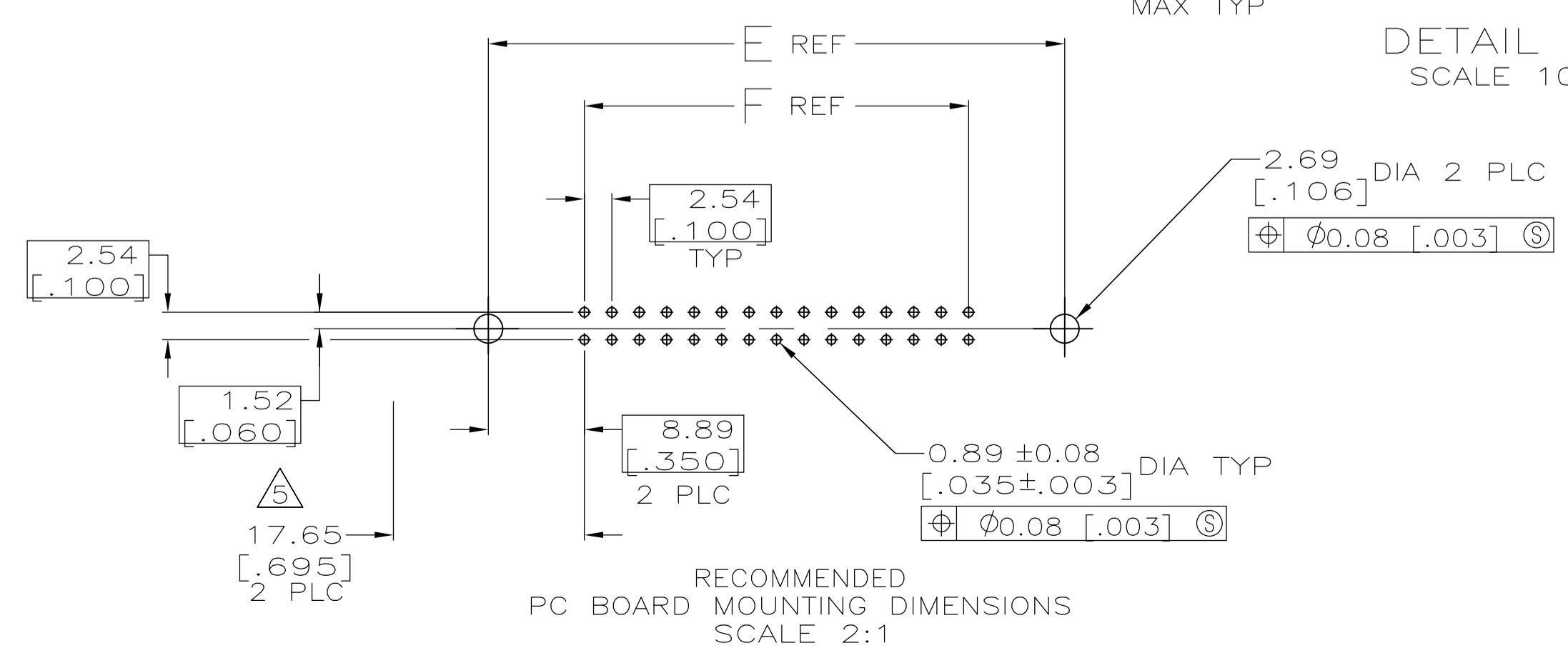
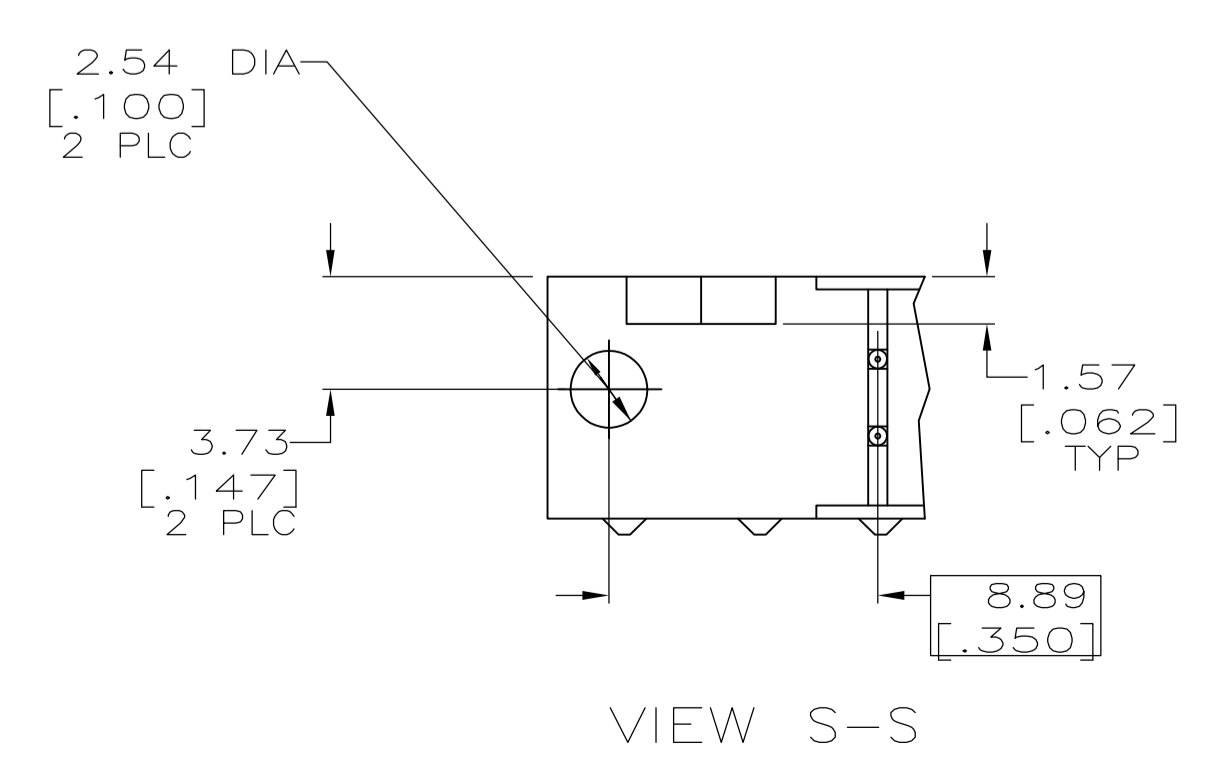
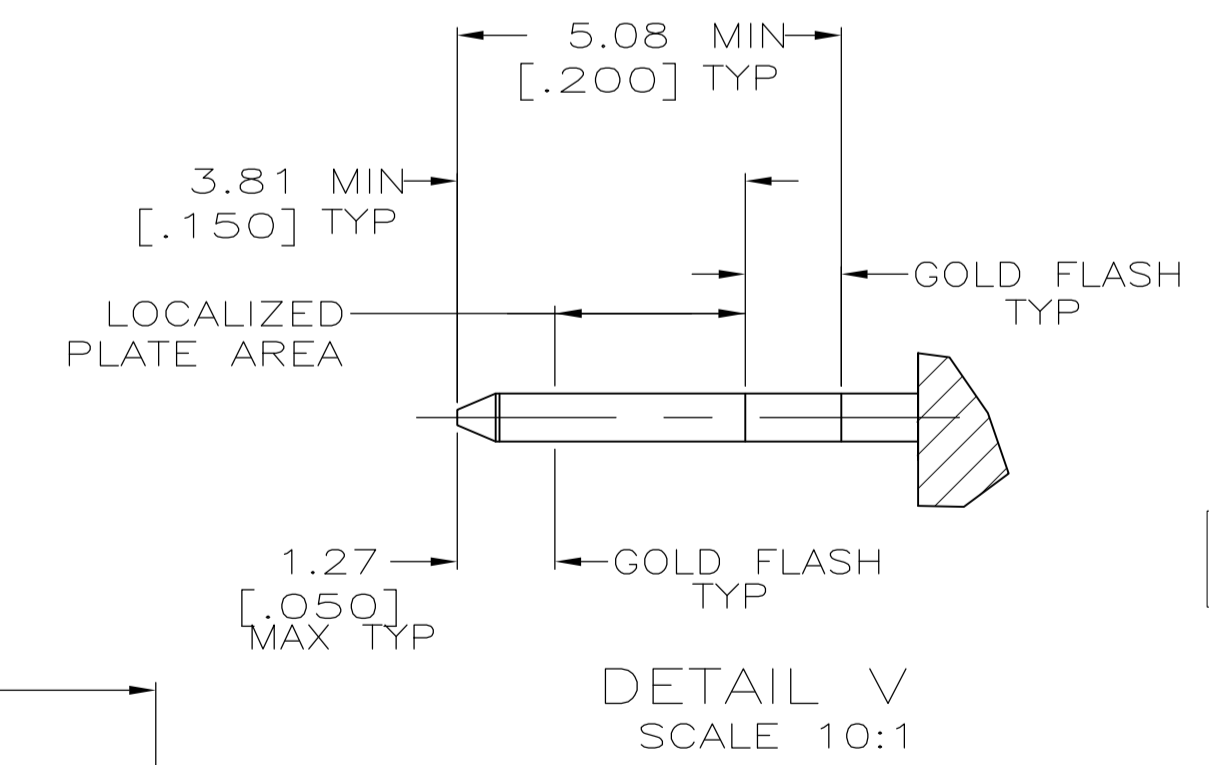
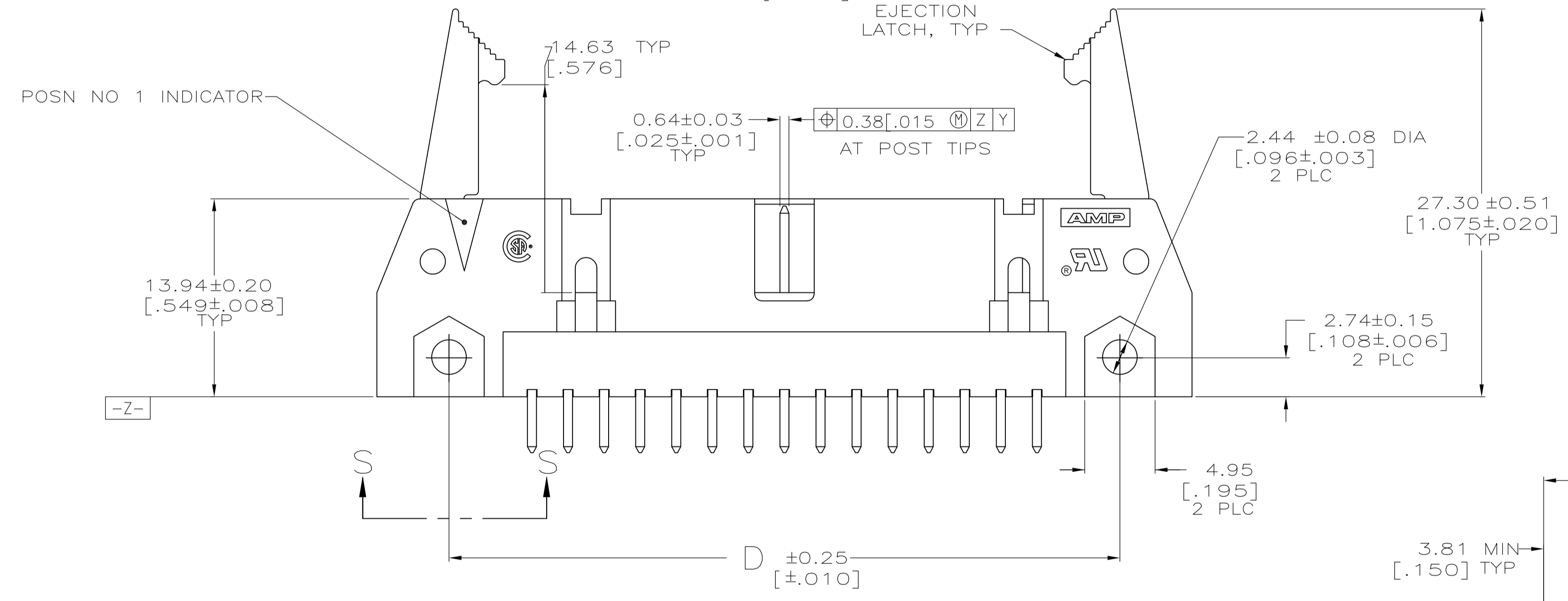


EJECTION LATCHES OMITTED IN THIS VIEW FOR CLARITY



- 1. COORDINATE DIMENSION APPLIES FROM BASIC LOCATION.
- 2. 10 AND 14 POSITION SIZES CONTAIN ONLY ONE SLOT FOR SNAP-IN POLARIZER (MILITARY POLARIZATION) LOCATED AS SHOWN.
- 3. 10 POSITION SIZES CONTAIN ONLY ONE SLOT FOR DUAL POLARIZATION, LOCATED AS SHOWN.
- 4. RECOMMENDED PRINTED CIRCUIT BOARD THICKNESS IS 3.18 [0.125].
- 5. DISTANCE REQUIRED BY EJECTION LATCHES IN THE OPEN POSITION.
- 6. POSTS: GOLD FLASH OVER PALLADIUM-NICKEL PLATE, 0.76µm[0.00030] MIN TOTAL ON THE LOCALIZED PLATE AREA, 2.54µm[0.000100] MIN TIN-LEAD PLATE ON THE SOLDER-TAIL, 1.27µm[0.000050] MIN NICKEL UNDERPLATE ON THE ENTIRE POST. -OR- 0.76µm[0.00030] MIN GOLD PLATE ON THE LOCALIZED PLATE AREA, 2.54µm[0.000100] MIN TIN-LEAD PLATE ON THE SOLDER-TAIL, 1.27µm[0.000050] MIN NICKEL UNDERPLATE ON THE ENTIRE POST.



	53.34	71.12	65.02	75.18	71.12	60.96		
	[2.100]	[2.800]	[2.560]	[2.960]	[2.800]	[2.400]	44	1-102321-3
	78.74	96.52	90.42	100.58	96.52	86.36		
	[3.100]	[3.800]	[3.560]	[3.960]	[3.800]	[3.400]	64	1-102321-2
	73.66	91.44	85.34	95.50	91.44	81.28		
	[2.900]	[3.600]	[3.360]	[3.760]	[3.600]	[3.200]	60	1-102321-1
	60.96	78.74	72.64	82.80	78.74	68.58		
	[2.400]	[3.100]	[2.860]	[3.260]	[3.100]	[2.700]	50	1-102321-0
	48.26	66.04	59.94	70.10	66.04	55.88		
	[1.900]	[2.600]	[2.360]	[2.760]	[2.600]	[2.200]	40	102321-9
	40.64	58.42	52.32	62.48	58.42	48.26		
	[1.600]	[2.300]	[2.060]	[2.460]	[2.300]	[1.900]	34	102321-8
	35.56	53.34	47.24	57.40	53.34	43.18		
	[1.400]	[2.100]	[1.860]	[2.260]	[2.100]	[1.700]	30	102321-7
	30.48	48.26	42.16	52.32	48.26	38.10		
	[1.200]	[1.900]	[1.660]	[2.060]	[1.900]	[1.500]	26	102321-6
OBSOLETE	27.94	45.72	39.62	49.78	45.72	35.56		
	[1.100]	[1.800]	[1.560]	[1.960]	[1.800]	[1.400]	24	102321-5
	22.86	40.64	34.54	44.70	40.64	30.48		
	[.900]	[1.600]	[1.360]	[1.760]	[1.600]	[1.200]	20	102321-4
	17.78	35.56	29.46	39.62	35.56	25.40		
	[.700]	[1.400]	[1.160]	[1.560]	[1.400]	[1.000]	16	102321-3
	15.24	33.02	26.92	37.08	33.02	22.86		
	[.600]	[1.300]	[1.060]	[1.460]	[1.300]	[.900]	14	102321-2
	10.16	27.94	21.84	32.00	27.94	17.78		
	[.400]	[1.100]	[.860]	[1.260]	[1.100]	[.700]	10	102321-1
	F	E	D	C	B	A	NO OF POSN	PART NUMBER

THIS DRAWING IS A CONTROLLED DOCUMENT.

DIMENSIONS: INCHES	TOLERANCES UNLESS OTHERWISE SPECIFIED:	DIN H. MOLL 4-23-90	STE TE Connectivity
0 PLC ± -	1 PLC ± -	11-28-90	
2 PLC ± 0.13[0.005]	3 PLC ± -	11-29-90	
4 PLC ± -	ANGLES ± -	NAME	HEADER ASSY, UNIVERSAL, AMP-LATCH
MATERIAL: HOUSING & LATCHES: GLASS FILLED NYLON OR POLYESTER. BRASS PATED. BLACK. POSTS: PHOS BRONZE OR BRASS.	FINISH: 6	APVD: S. GOOD	PRODUCT SPEC: 108-40018
		APPLICATION SPEC	
		SIZE: A1	CAGE CODE: 00779
		DRAWING NO: 102321	RESTRICTED TO: -
		WEIGHT: -	CUSTOMER DRAWING
		SCALE: 4:1	SHEET 1 OF 1
		REV: K1	

Mouser Electronics

Authorized Distributor

Click to View Pricing, Inventory, Delivery & Lifecycle Information:

[TE Connectivity:](#)

[1-102321-2](#)