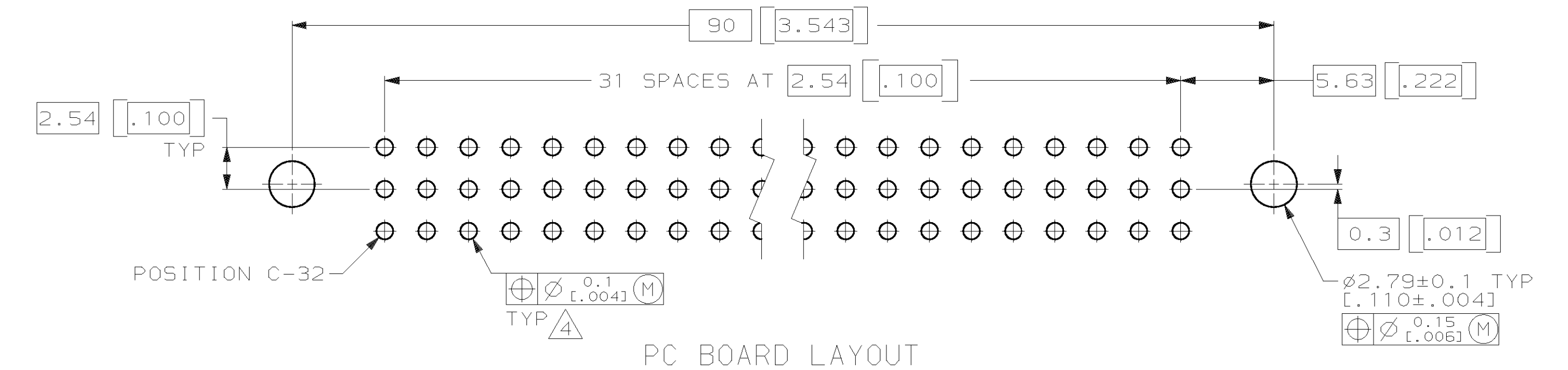
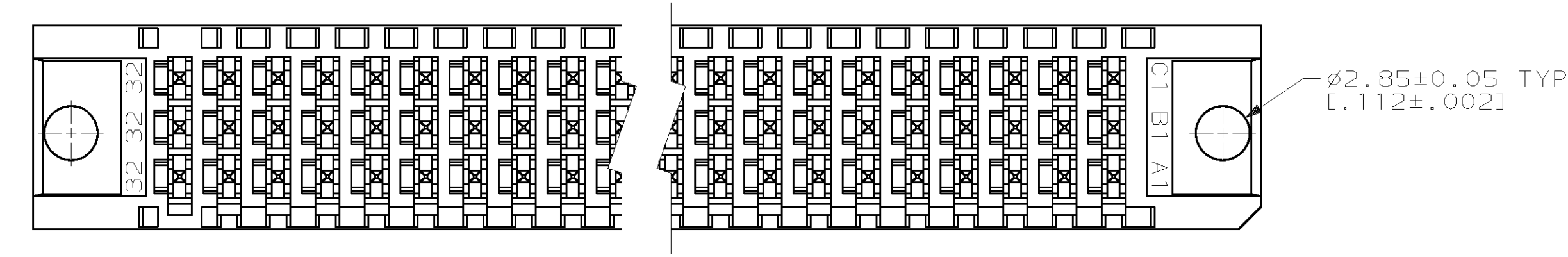
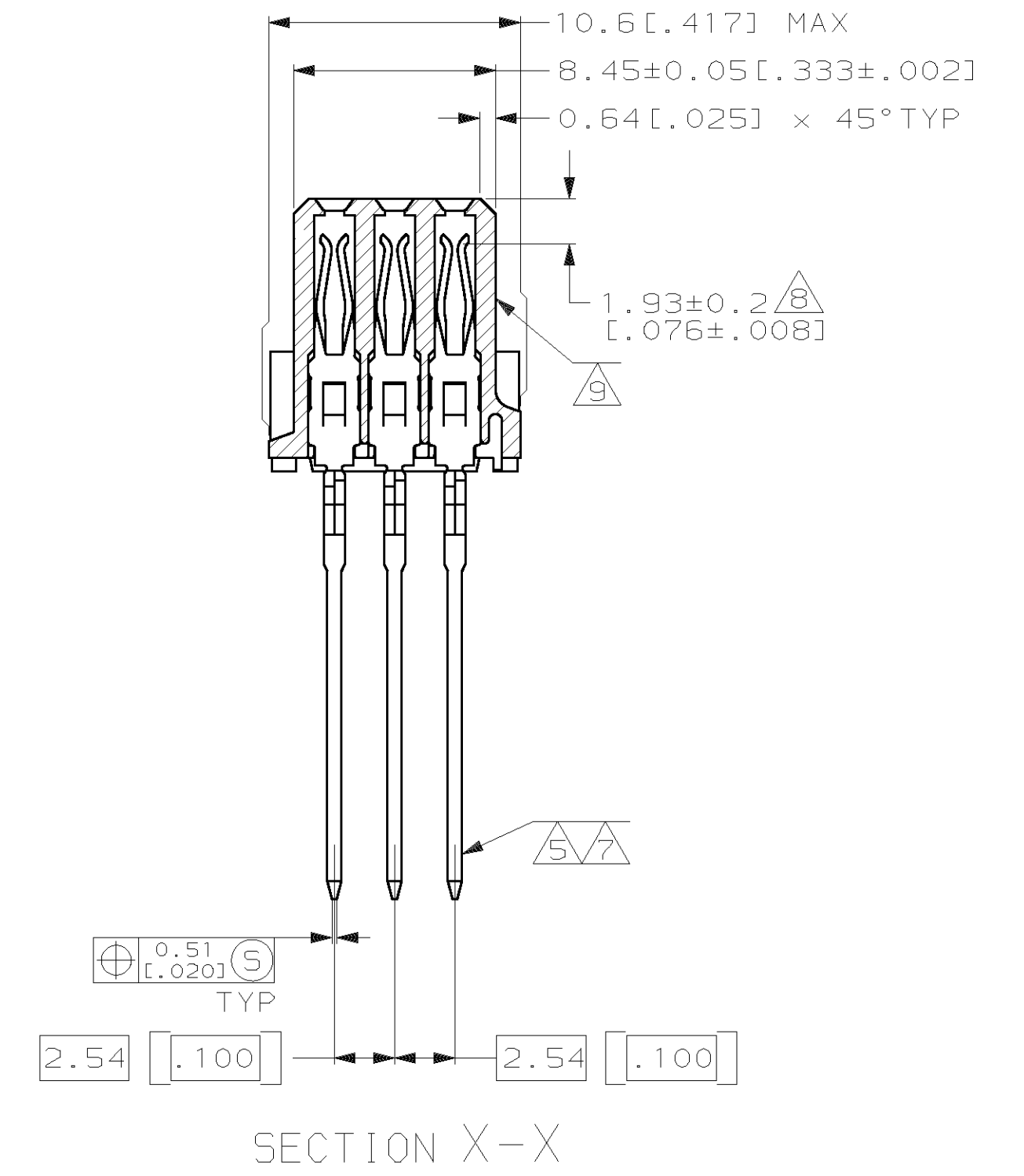
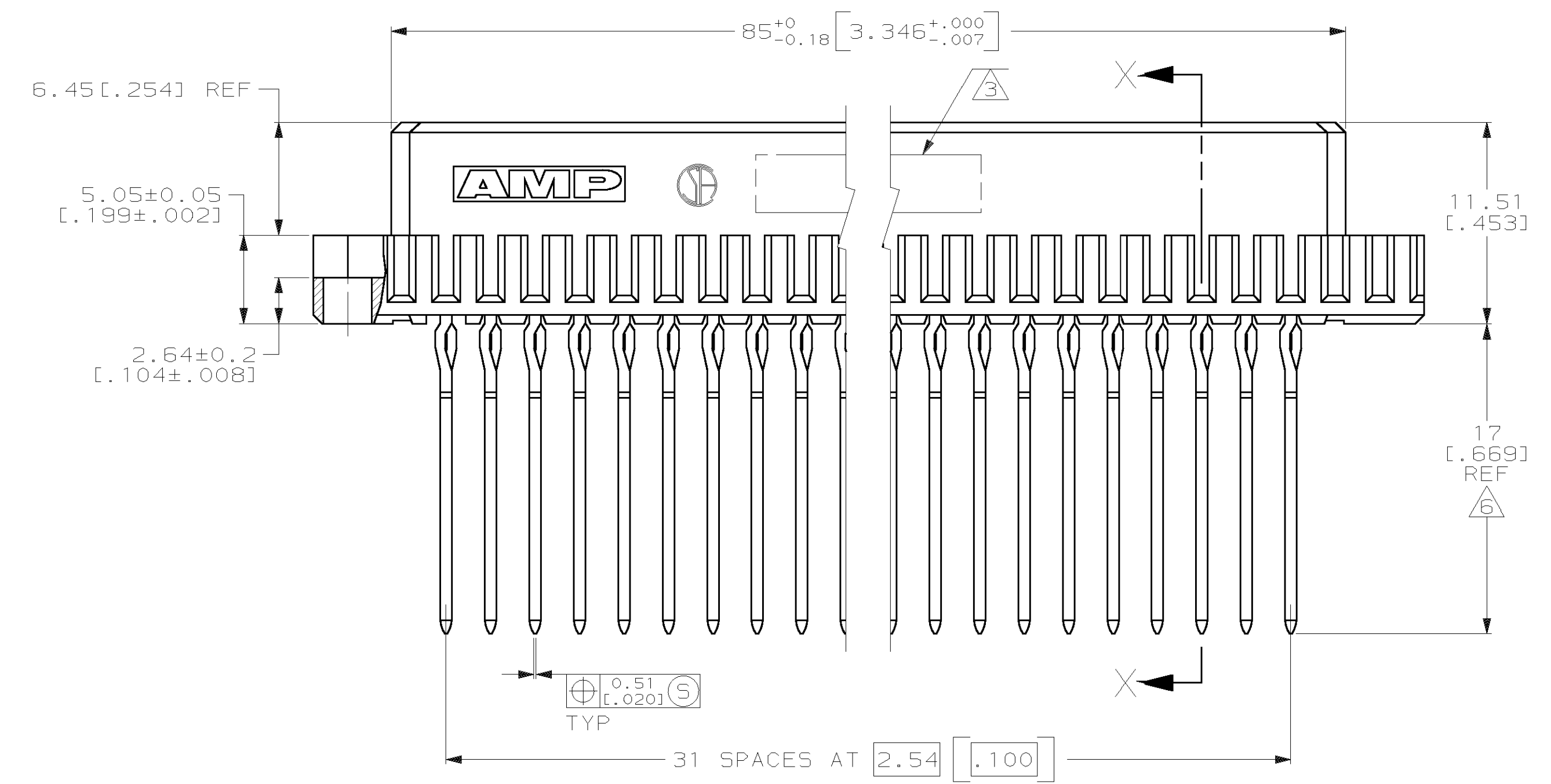
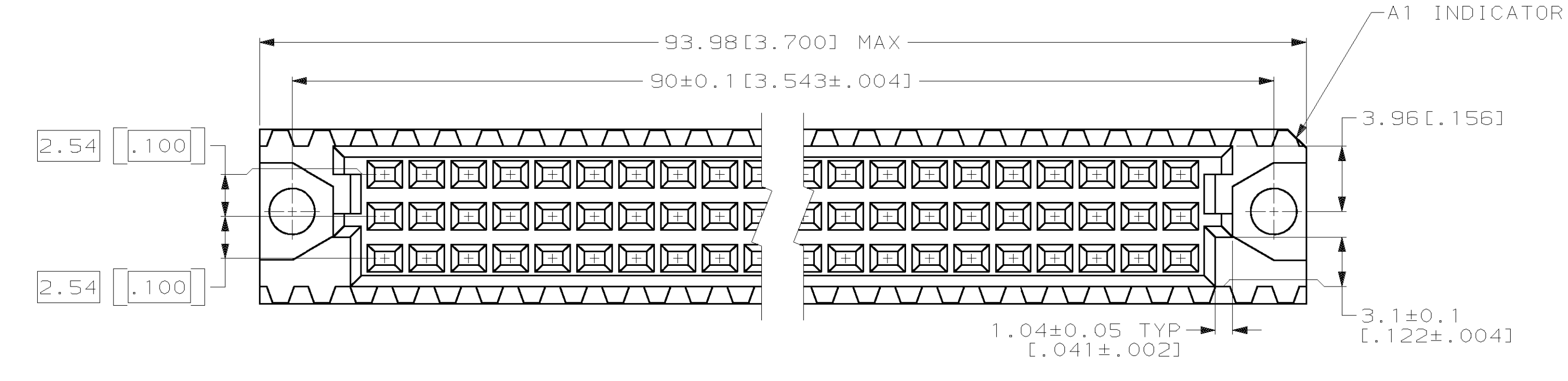


REVISIONS								
LOC	DIST	P	F	ZONE	LTR	DESCRIPTION	DATE	APPD
						O DRAWN	-	-
						A EC 0010-1152-95	10/10/95	LSB
						B REVISED PER 0503-0580-97	9-30-97	JG
						C PER EC 0620-0147-98	T.S.	6-4-98
						D REV PER EC 0U1B-0136-99	06 OCT 99	CR



- △ HOUSING MATERIAL: GLASS-FILLED POLYESTER. COLOR: GRAY.
- △ CONTACT MATERIAL: PHOSPHOR BRONZE.
- △ PART NUMBER AND DATE CODE HOT STAMPED IN THIS APPROXIMATE AREA.
- △ ACTION PIN POSTS REQUIRE 1.57 [0.062] MINIMUM THICK PC BOARD. RECOMMENDED PC BOARD DRILLED HOLES ARE 1.15±0.025 [0.0453±.0010] DIAMETER WITH 0.02-0.08 [0.001-.003] COPPER AND 0.008 [0.0003] MINIMUM TIN-LEAD PLATING. FINISHED HOLE AFTER PLATING IS 1.02±0.08 [0.040±.002] DIAMETER.
- △ CONTACT FINISH: DIN 41612 CLASS 2 IN CONTACT AREA. TIN-LEAD PLATE ON POSTS.
- △ TAIL LENGTH AFTER SEATING IN PC BOARD.
- △ CONTACT FINISH: DIN 41612 CLASS 2 IN CONTACT AREA AND LAST 5.08 [0.200] OF POST.
- △ CONTACT POINT AFTER SEATED IN PC BOARD.
- △ HOT STAMPING ON THIS SIDE.

△	1-148059-5
△	148059-5
FINISH	PART NO

DO NOT SCALE PRINT. UNLESS SPECIFIED DIMENSIONS IN mm [INCHES] TOLERANCES ON: 2 PLC DEC ±0.13 [0.005] 3 PLC DEC ±- ANGLES ±-	DR L. BRINER 7/26/94	AMP AMP Incorporated Harrisburg, PA 17105-3508
	CHK R. PATTERSON 8/9/94	
	APPD R. PATTERSON 8/9/94	
MATERIAL HOUSING: △ CONTACTS: △	APPD R. PATTERSON 8/9/94	NAME RECEPTACLE ASSEMBLY, EUROCARD, TYPE "C"
FINISH CONTACTS: △	APPLICATION SPEC -	SIZE D 00779 C-148059
	WEIGHT -	SCALE 4:1 SHEET 1 OF 1

THIS DRAWING IS A CONTROLLED DOCUMENT FOR AMP INCORPORATED. IT IS SUBJECT TO CHANGE AND THE CONTROLLING ENGINEERING ORGANIZATION SHOULD BE CONTACTED FOR THE LATEST REVISION.

Mouser Electronics

Authorized Distributor

Click to View Pricing, Inventory, Delivery & Lifecycle Information:

[TE Connectivity:](#)

[1-148059-5](#)