

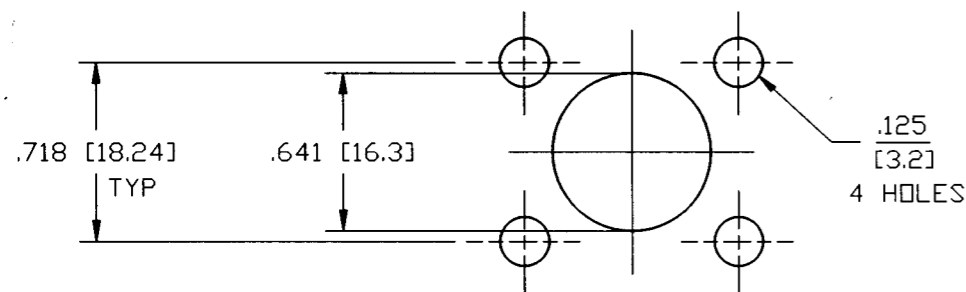
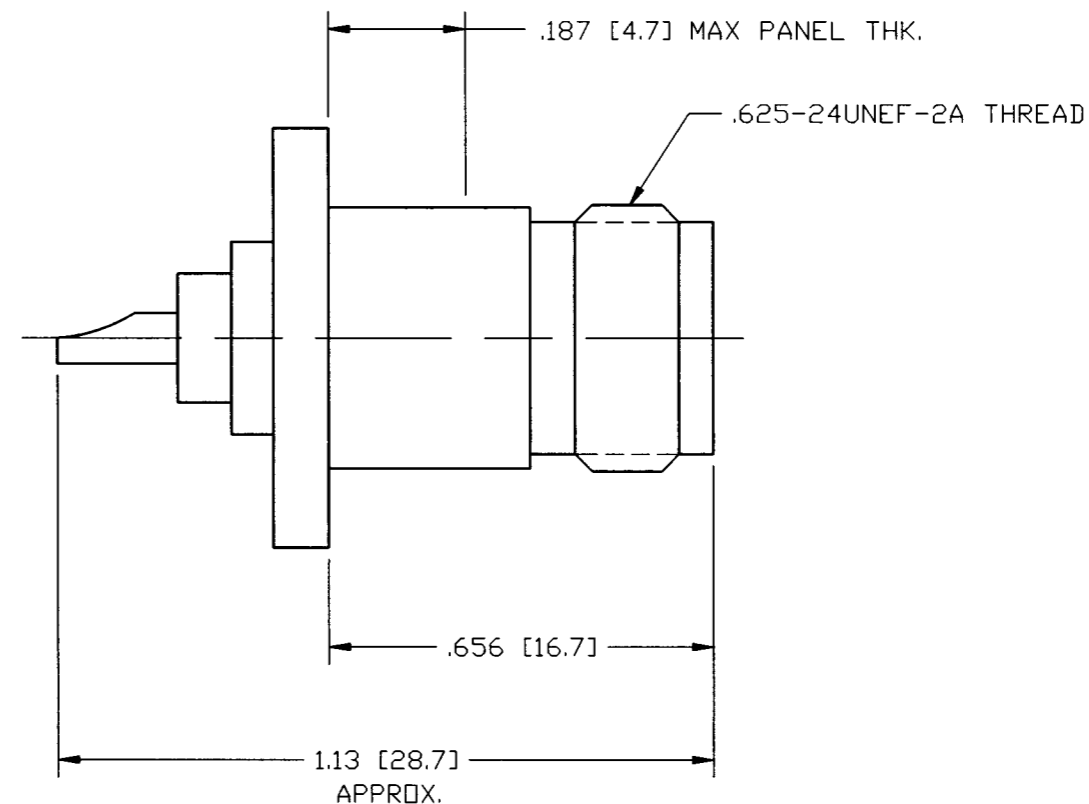
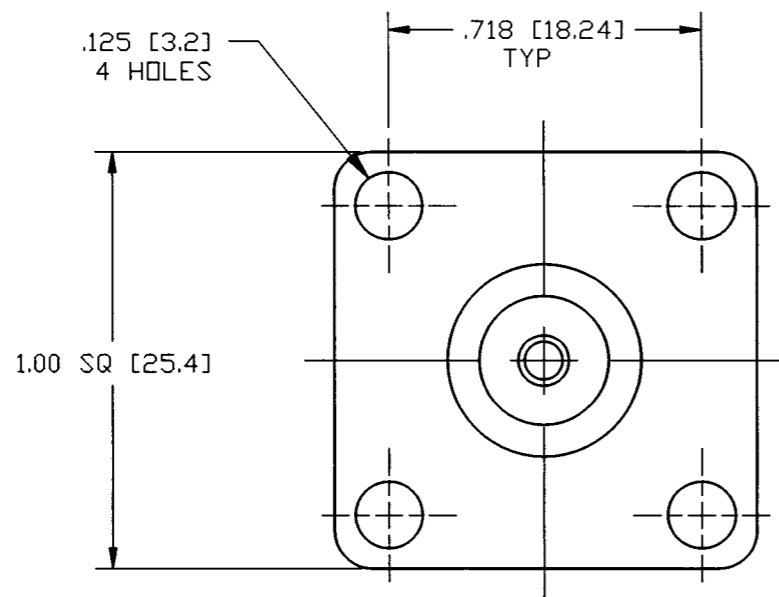
NOTES:

1. BRASS BODY, NICKEL PLATED.
2. TEFLON INSULATOR.
3. GOLD PLATED, PHOSPHOR BRONZE CONTACT, .000003.
4. PACKAGED IN BAG 999-381.
5. DO NOT SCALE THIS DRAWING.
6. REMOVE ALL BURRS, BREAK SHARP EDGES AND CORNERS .005 MAXIMUM, UNLESS OTHERWISE SPECIFIED.
7. UNLESS OTHERWISE SPECIFIED, ALL DIMENSIONS ARE AFTER PLATING.

82-97-RFX

REVISIONS

| DRAWING NO. | REV | DESCRIPTION | DATE | ECO | APPR |
|-------------------|-----|--|----------|-------|------|
| THIRD ANGLE PROJ. | A | OFFICIAL ENG. RELEASE TO MFG. | 10/2/91 | 38063 | DR |
| | B | REDRAWN TO NEW FORMAT; ADD NOTES 5, 6, 7. 4 WAS BAG 999-382. | 10/22/94 | 40220 | CPM |



MOUNTING HOLE DETAIL

ENGLISH [METRIC]

UNLESS OTHERWISE SPECIFIED, DIMENSIONS ARE IN INCHES AND TOLERANCES ARE:
 2 PLACE DECIMAL 3 PLACE DECIMAL ANGLES
 ±.015 (0,381 mm) ±.005 (0,127 mm) ± 1'

MATERIAL

DRAWN
T. ALBERA

DATE
4/29/91

TITLE

N PANEL
RECEPTACLE
UG58A/U TYPE
50 OHM

Amphenol
Amphenol Corporation
RF/Microwave Operations
Danbury, Conn. U.S.A. 06810

NOTICE - These drawings, specifications, or other data (1) are, and remain the property of Amphenol Corp. (2) must be returned upon request; and (3) are confidential and not to be disclosed to any person other than those to whom they are given by Amphenol Corp. The furnishing of these drawings, specifications, or other data by Amphenol Corp., or to any other person to anyone for any purpose is not to be regarded by implication or otherwise in any manner licensing, granting rights or permitting such holder or any other person to manufacture, use or sell any product, process or design, patented or otherwise, that may in any way be related to or disclosed by said drawings, specifications, or other data.

REFERENCE
EAR 962370

ENGINEER
D. ROYCE

DATE
9/13/91

APPROVED
D. ROYCE

DATE
9/13/91

CAD FILE
H:\DEPT611\N\082\ASSY\97RFX

CODE ID
74868

DWG SIZE
B

DRAWING NO.
82-97-RFX

ISSUE
B

SCALE: 2:1 SHEET OF

Mouser Electronics

Authorized Distributor

Click to View Pricing, Inventory, Delivery & Lifecycle Information:

[Amphenol:](#)

[082-97-RFX](#)