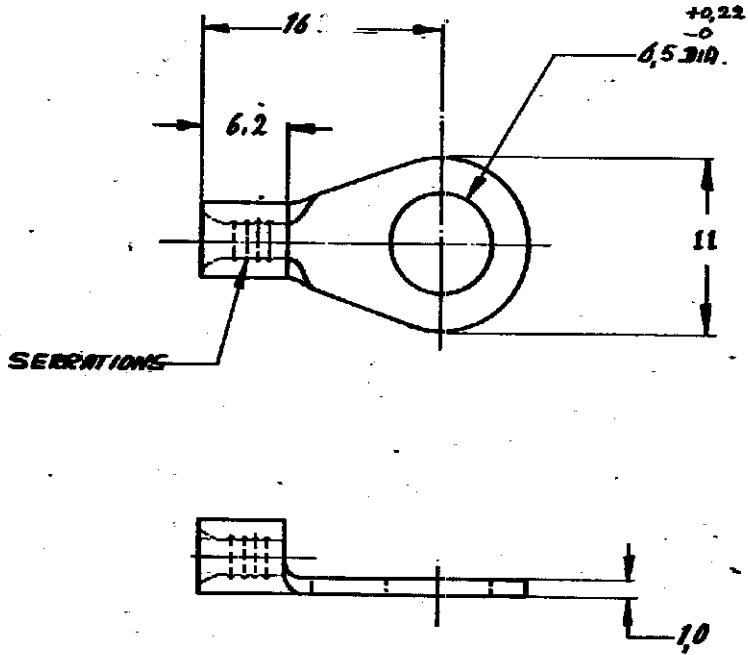


DRAWING MADE IN AMERICAN PROJECTION

NUMBER C-165303-E



DIMENSIONS IN MILLIMETERS DO NOT SCALE PRINT

**CUSTOMER COPY FOR REFERENCE ONLY**

©1967 BY AMP-HOLLAND N.V. ALL RIGHTS RESERVED A-M-P PRODUCTS COVERED BY PATENTS AND/OR PATENTS PENDING.



AMP-HOLLAND N.V.  
5-HERIENBOSCH  
HOLLAND

165303	COPPER	INPLATED
ORDER NO.	MATERIAL	PLATING
DR R. BLOMST.	DATE 16-67	CHK DATE 17-67

WIRE RANGE 4-6 mm <sup>2</sup>	INSUL. RANGE —	TYPE - DIN - SOLISTRING	SCALE —	LOC H	SIZE A	NO C-165303-E	REV C
NAME <b>RINGTONGUE stud. M6</b>							

# Mouser Electronics

Authorized Distributor

Click to View Pricing, Inventory, Delivery & Lifecycle Information:

[TE Connectivity:](#)

[165303](#)