

THIS DRAWING IS UNPUBLISHED. RELEASED FOR PUBLICATION
 © COPYRIGHT - By - ALL RIGHTS RESERVED.

P	LTR	DESCRIPTION	DATE	DWN	APVD
D		REVISED PER ECO-16-016188	28OCT2016	LL	SH

MODULAR JACK WITH LED

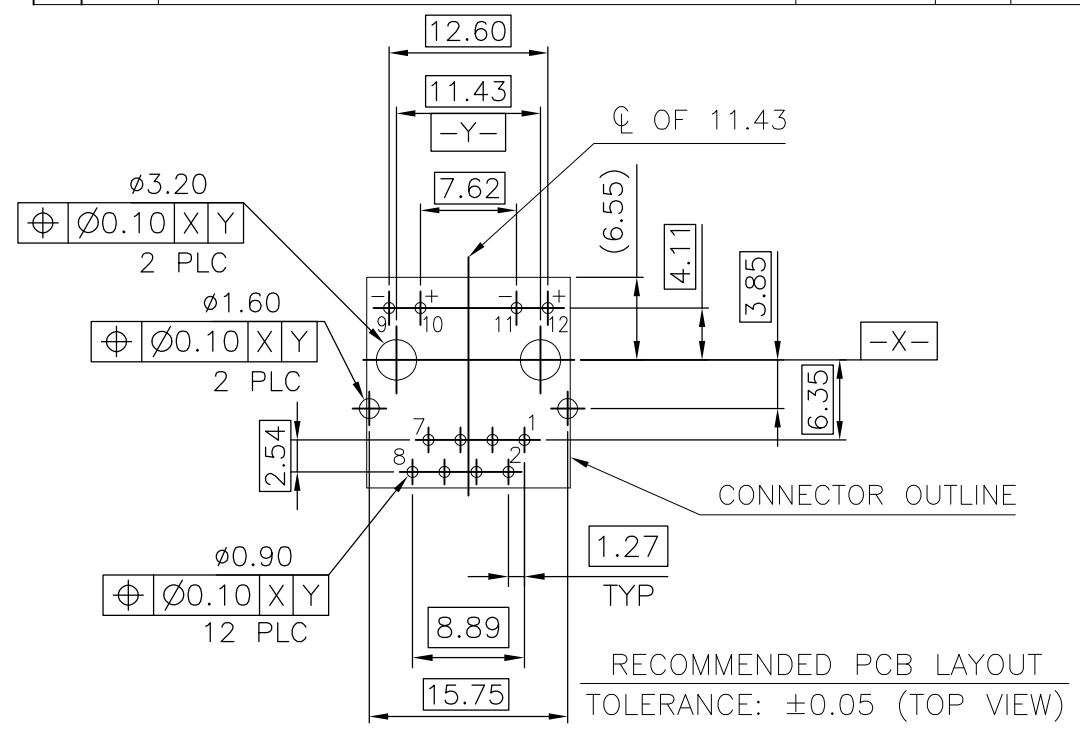
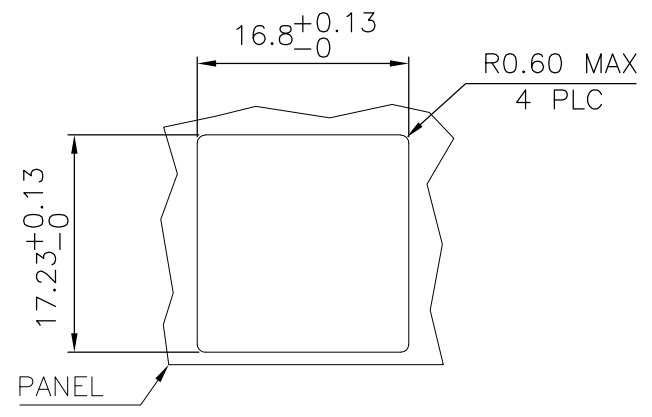
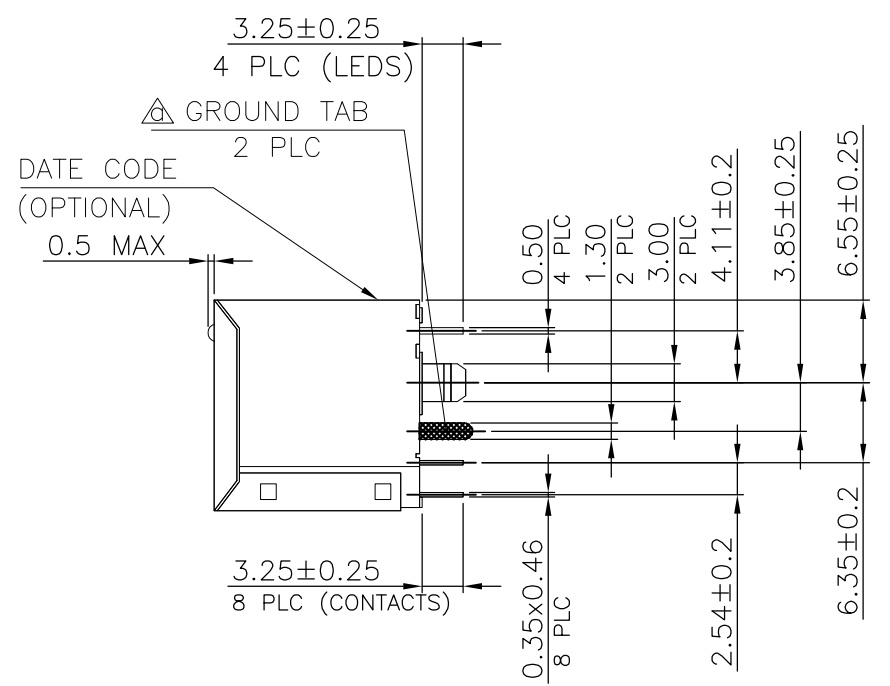
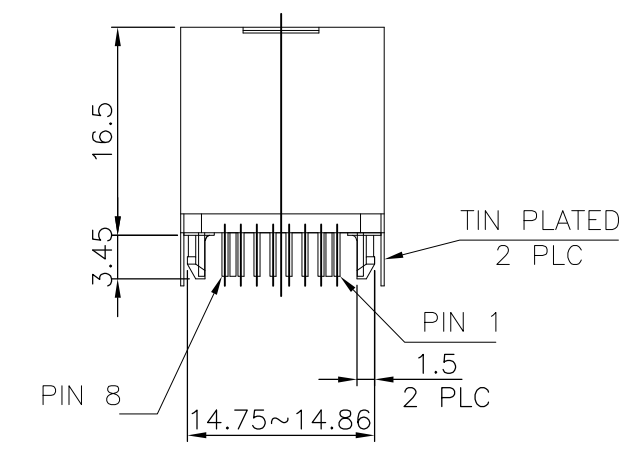
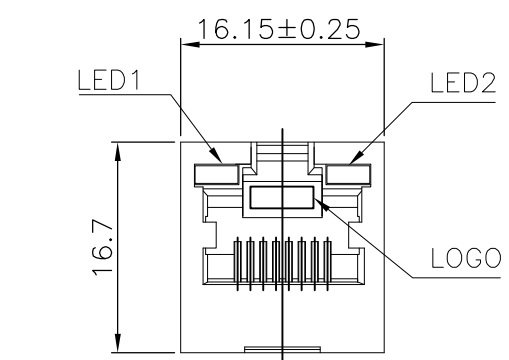
LED SCHEMATIC	
LED1	LED2
GREEN	YELLOW
9- +10	11- +12
FOR 1734577-X	

LED SCHEMATIC	
LED1	LED2
GREEN	GREEN
9- +10	11- +12
FOR 1-1734577-X 6-1734577-X	

LED SCHEMATIC	
LED1	LED2
RED GREEN	RED GREEN
9- +10	11- +12
FOR 2-1734577-X	

LED SCHEMATIC	
LED1	LED2
YELLOW	GREEN ORANGE
9- +10	11- +12
FOR 4-1734577-1	

LED SCHEMATIC	
LED1	LED2
RED YELLOW	RED GREEN
9- +10	11- +12
FOR 5-1734577-X	



- NOTE:
- MATERIAL:
 - 1.1 HOUSING: PA46, WITH 30% GF, UL94 V-0, BLACK COLOR.
 - 1.2 CONTACTS: PHOSPHOR BRONZE.
 - 1.3 SHELL: BRASS.
 - 1.4 LED SOLDER TAIL: STEEL.
 - FINISH:
 - 2.1 CONTACTS: (SEE TABLE) GOLD PLATED ON CONTACT AREA, GOLD FLASH ON SOLDER TAIL AREA, 1.27um [50u"] MIN. NICKEL UNDERPLATING OVERALL.
 - SHELL: 0.508um [20u"] MIN. NICKEL PLATED.
 - a POST DIPPED WITH TIN ON PCB GROUND TABS.
 - LED SOLDER TAIL: 2.032um [80u"] MIN. BRIGHT-TIN PLATED.
 - LED MUST BE REFLOW COMPATIBLE TO FOLLOWING TEMPERATURE PROFILE (FOR 1 CYCLE): ABOVE 160°C FOR 120 SECONDS, PEAKING AT 245°C FOR 20~40 SECONDS.
 - LED DEFECT RATE IS 6000PPM MAX. AFTER IR REFLOW PROCESS AS NOTE 3.
 - WAVE SOLDER CAPABLE TO 265°C PER TE SPEC 109-202, CONDITION B.
 - OBSOLETE PARTS: OBSOLETE CIS STREAMLINING PER D.RENAUD/D.SINISI

OBSOLETE	WITH	RED/ GREEN	RED/ YELLOW	1.27um [50u"]	5-1734577-4	
		GREEN/ ORANGE	YELLOW	0.762um [30u"]	4-1734577-1	
OBSOLETE	WITH	RED/ GREEN	RED/ GREEN	1.27um [50u"]	2-1734577-4	
				0.762um [30u"]	2-1734577-3	
		WITHOUT	GREEN	GREEN	0.381um [15u"]	2-1734577-2
					0.152um [6u"]	2-1734577-1
OBSOLETE	WITH	GREEN	GREEN	0.762um [30u"]	6-1734577-3	
				1.27um [50u"]	1-1734577-4	
				0.762um [30u"]	1-1734577-3	
		YELLOW	GREEN	0.381um [15u"]	4-1734577-2	
				0.152um [6u"]	1-1734577-1	
				1.27um [50u"]	1734577-4	
				0.762um [30u"]	1734577-3	
				0.381um [15u"]	1734577-2	
				0.152um [6u"]	1734577-1	
DATE CODE	LED2	LED1	MIN. GOLD THICKNESS	PART NUMBER		
	INDICATOR COLOR					

THIS DRAWING IS A CONTROLLED DOCUMENT.		DWN B. HSING 21JUL2009	TE Connectivity														
DIMENSIONS: mm		CHK S. CHIEN 21JUL2009															
TOLERANCES UNLESS OTHERWISE SPECIFIED:		APVD W. KODAMA 21JUL2009	NAME														
<table border="1"> <tr><td>0 PLC</td><td>± -</td></tr> <tr><td>1 PLC</td><td>± 0.3</td></tr> <tr><td>2 PLC</td><td>± 0.2</td></tr> <tr><td>3 PLC</td><td>± 0.15</td></tr> <tr><td>4 PLC</td><td>± -</td></tr> <tr><td>ANGLES</td><td>± 3'</td></tr> </table>		0 PLC	± -	1 PLC	± 0.3	2 PLC	± 0.2	3 PLC	± 0.15	4 PLC	± -	ANGLES	± 3'	PRODUCT SPEC 108-57527	MODULAR JACK CONNECTOR RJ45, 8P8C, VERTICAL, DIP TYPE.		
0 PLC	± -																
1 PLC	± 0.3																
2 PLC	± 0.2																
3 PLC	± 0.15																
4 PLC	± -																
ANGLES	± 3'																
MATERIAL SEE NOTE		APPLICATION SPEC -	SIZE	CAGE CODE	DRAWING NO												
FINISH SEE NOTE		WEIGHT 6.55 GRAMS	A3	00779	C-1734577												
CUSTOMER DRAWING			RESTRICTED TO	SCALE 1:1	SHEET 1 OF 5												
			REV D														

THIS DRAWING IS UNPUBLISHED.

RELEASED FOR PUBLICATION

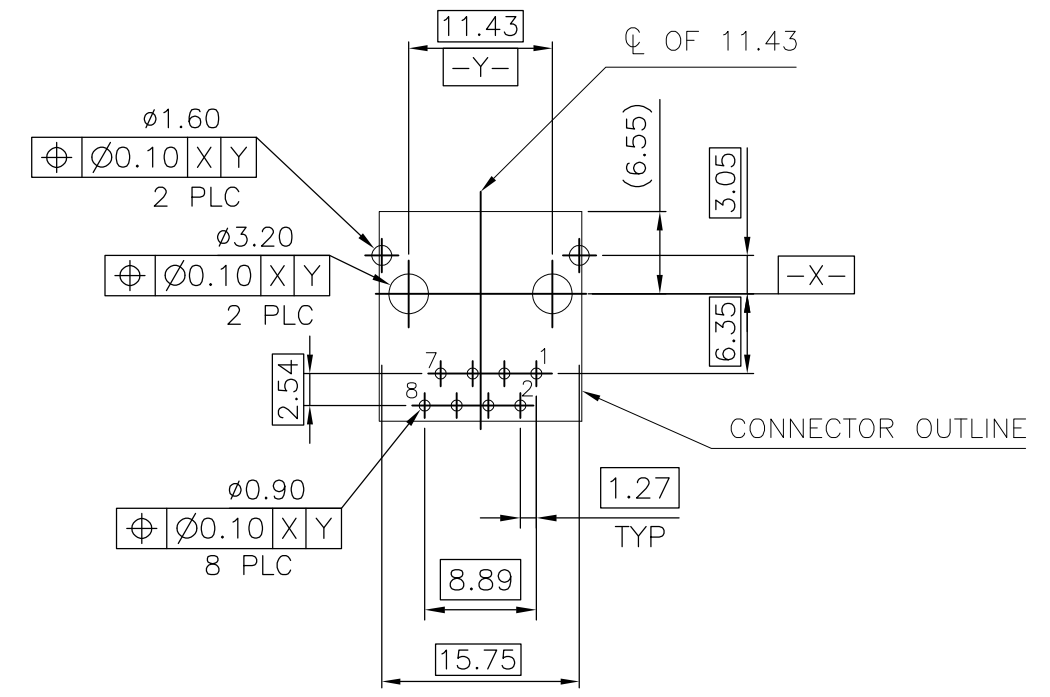
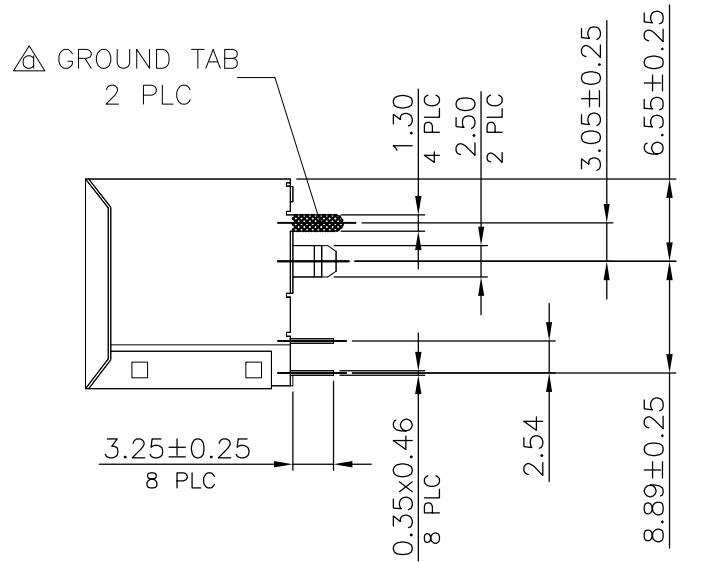
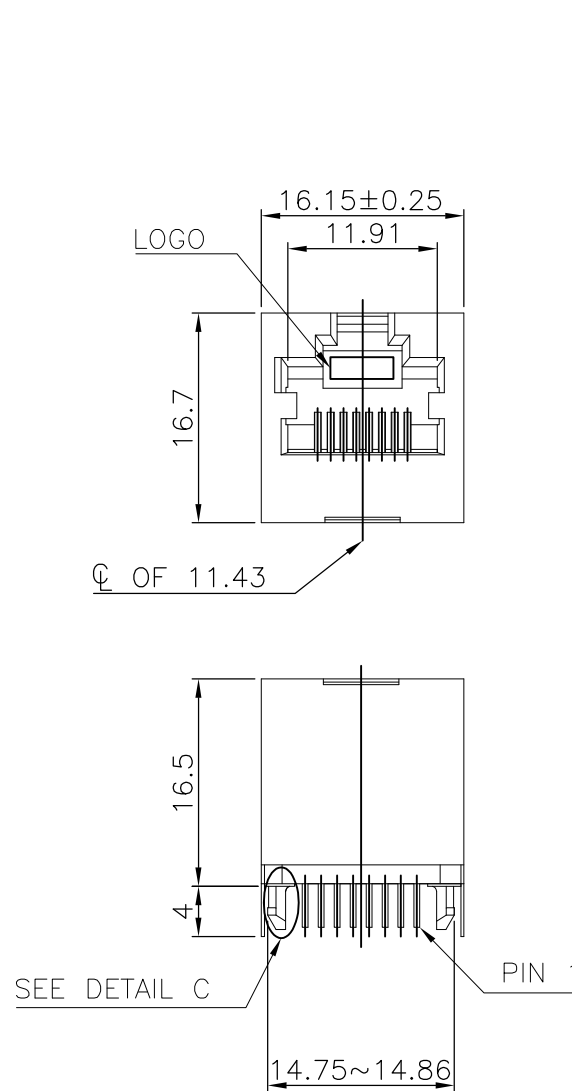
ALL RIGHTS RESERVED.

© COPYRIGHT - By -

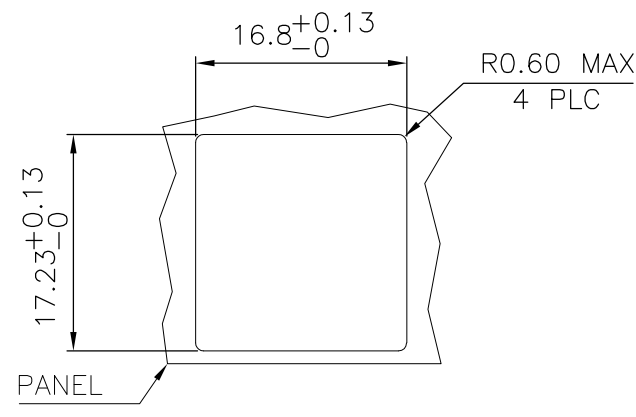
REVISIONS

P	LTR	DESCRIPTION	DATE	DWN	APVD
-	-	SEE SHEET 1	-	-	-

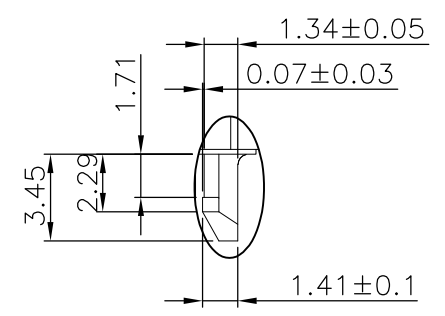
MODULAR JACK WITHOUT LED



RECOMMENDED PCB LAYOUT
TOLERANCE: ±0.05 (TOP VIEW)



RECOMMENDED SUGGESTED PANEL CUTOUT



DETAIL C (SCALE 2:1)

- NOTE:
- MATERIAL:
HOUSING: PA46, WITH 30% GF, UL94 V-0, BLACK COLOR.
CONTACTS: PHOSPHOR BRONZE.
SHELL: BRASS.
 - FINISH:
CONTACTS: (SEE TABLE) GOLD PLATED ON CONTACT AREA,
GOLD FLASH ON SOLDER TAIL,
WITH ENTIRE CONTACT UNDERPLATED
1.27µm [50µ"] MIN. NICKEL.
SHELL: 0.508µm [20µ"] MIN. NICKEL PLATED.
POST DIPPED WITH TIN ON PCB GROUND TABS.
 - WAVE SOLDER CAPABLE TO 265°C PER TE SPEC 109-202, CONDITION B.
 - OBSOLETE PARTS: OBSOLETE CIS STREAMLINING PER D.RENAUD/D.SINISI

1.27µm [50µ"]	3-1734577-5
1.27µm [50µ"]	3-1734577-4
0.762µm [30µ"]	3-1734577-3
0.381µm [15µ"]	3-1734577-2
0.152µm [6µ"]	3-1734577-1
MIN. GOLD THICKNESS	PART NUMBER

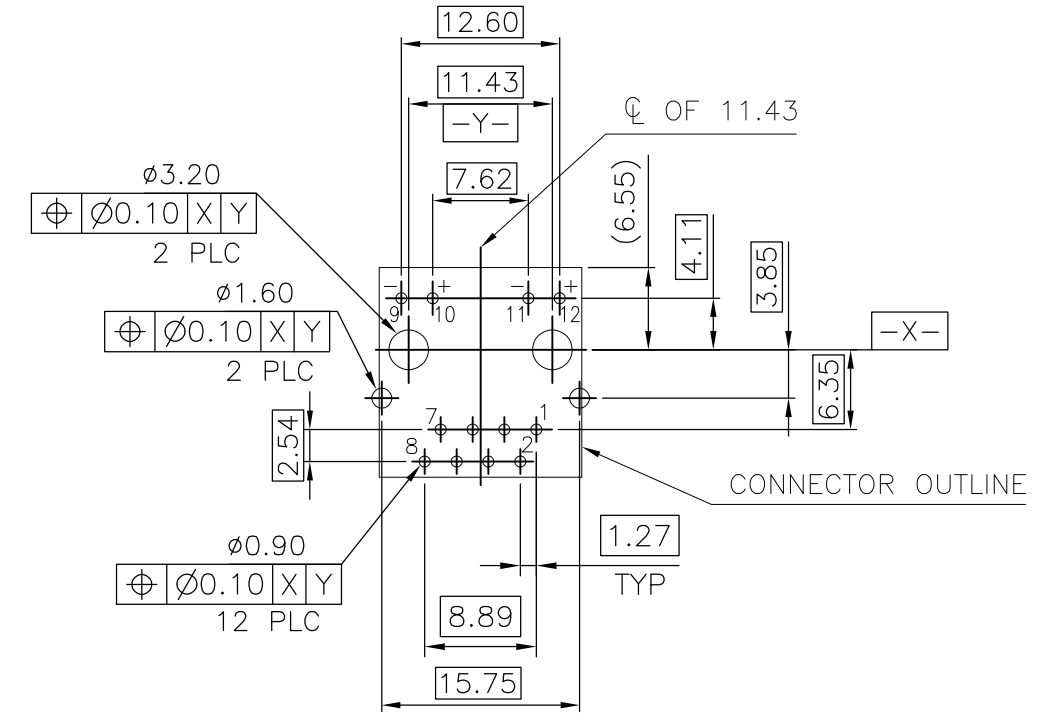
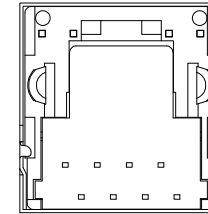
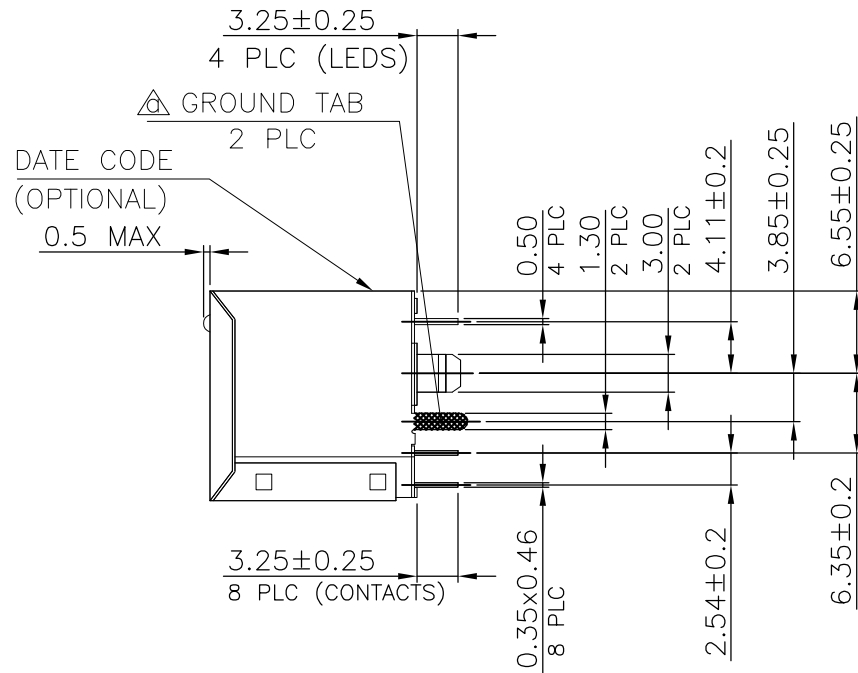
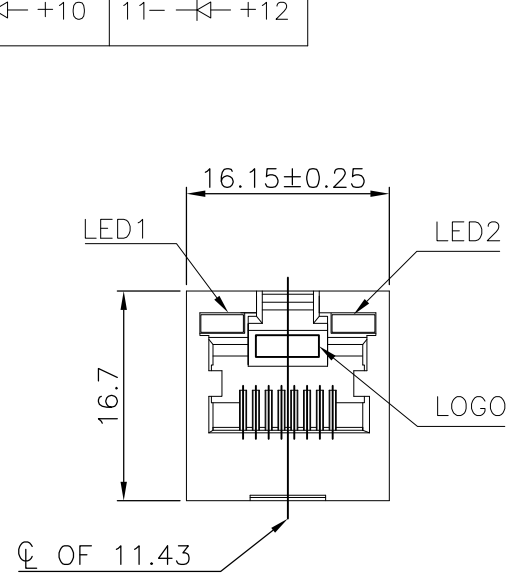
THIS DRAWING IS A CONTROLLED DOCUMENT.		DWN B. HSING 21JUL2009												
DIMENSIONS: mm		CHK S. CHIEN 21JUL2009												
TOLERANCES UNLESS OTHERWISE SPECIFIED:		APVD W. KODAMA 21JUL2009												
<table border="1"> <tr><td>0 PLC</td><td>± -</td></tr> <tr><td>1 PLC</td><td>± 0.3</td></tr> <tr><td>2 PLC</td><td>± 0.2</td></tr> <tr><td>3 PLC</td><td>± 0.15</td></tr> <tr><td>4 PLC</td><td>± -</td></tr> <tr><td>ANGLES</td><td>± 3'</td></tr> </table>		0 PLC				± -	1 PLC	± 0.3	2 PLC	± 0.2	3 PLC	± 0.15	4 PLC	± -
0 PLC	± -													
1 PLC	± 0.3													
2 PLC	± 0.2													
3 PLC	± 0.15													
4 PLC	± -													
ANGLES	± 3'													
MATERIAL SEE NOTE	FINISH SEE NOTE	PRODUCT SPEC 108-57527	MODULAR JACK CONNECTOR RJ45, 8P8C, VERTICAL, DIP TYPE.											
		APPLICATION SPEC -	SIZE	CAGE CODE	DRAWING NO	RESTRICTED TO								
		WEIGHT 6.7 GRAMS	A3	00779	C-1734577	-								
		CUSTOMER DRAWING	SCALE 1:1	SHEET 2 of 5	REV D									

REVISIONS

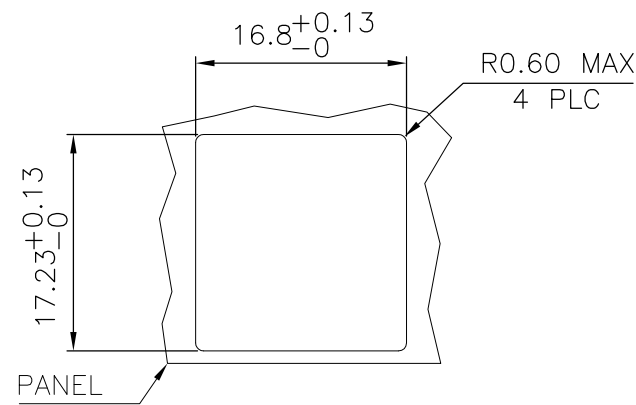
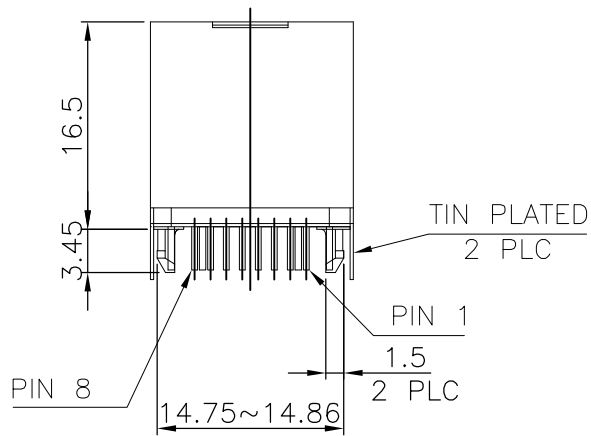
P	LTR	DESCRIPTION	DATE	DWN	APVD
-	-	SEE SHEET 1	-	-	-

LED SCHEMATIC	
LED1	LED2
GREEN	YELLOW
9- +10	11- +12

MODULAR JACK WITH LED



RECOMMENDED PCB LAYOUT TOLERANCE: ±0.05 (TOP VIEW)



RECOMMENDED SUGGESTED PANEL CUTOUT

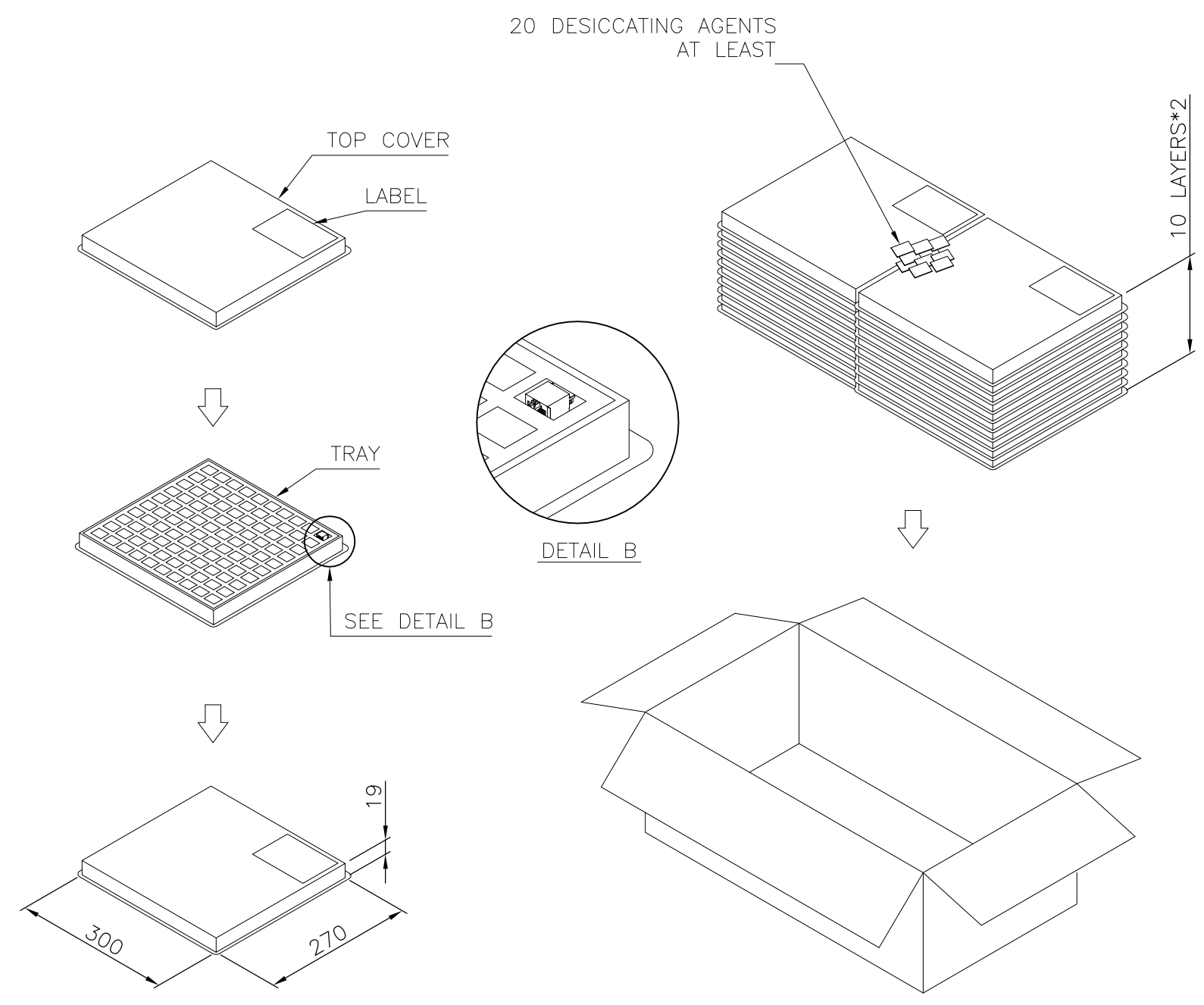
- NOTE:
- MATERIAL:
 - HOUSING: PA46, WITH 30% GF, UL94 V-0, BLACK COLOR.
 - CONTACTS: PHOSPHOR BRONZE.
 - SHELL: BRASS.
 - LED SOLDER TAIL: STEEL.
 - FINISH:
 - CONTACTS: (SEE TABLE) GOLD PLATED ON CONTACT AREA, GOLD FLASH ON SOLDER TAIL AREA, 1.27µm [50u"] MIN. NICKEL UNDERPLATING OVERALL. SHELL: 0.508µm [20µ"] MIN. NICKEL PLATED.
 - a POST DIPPED WITH TIN ON PCB GROUND TABS.
 - LED SOLDER TAIL: 2.032µm [80µ"] MIN. BRIGHT-TIN PLATED.
 - LED MUST BE REFLOW COMPATIBLE TO FOLLOWING TEMPERATURE PROFILE (FOR 1 CYCLE): ABOVE 160°C FOR 120 SECONDS, PEAKING AT 245°C FOR 20~40 SECONDS.
 - LED DEFECT RATE IS 6000PPM MAX. AFTER IR REFLOW PROCESS AS NOTE 3.
 - WAVE SOLDER CAPABLE TO 265°C PER TE SPEC 109-202, CONDITION B.
 - OBSOLETE PARTS: OBSOLETE CIS STREAMLINING PER D.RENAUD/D.SINISI

YELLOW	GREEN	0.762µm [30µ"]	7-1734577-3
LED2	LED1	MIN. GOLD THICKNESS	PART NUMBER
INDICATOR COLOR			

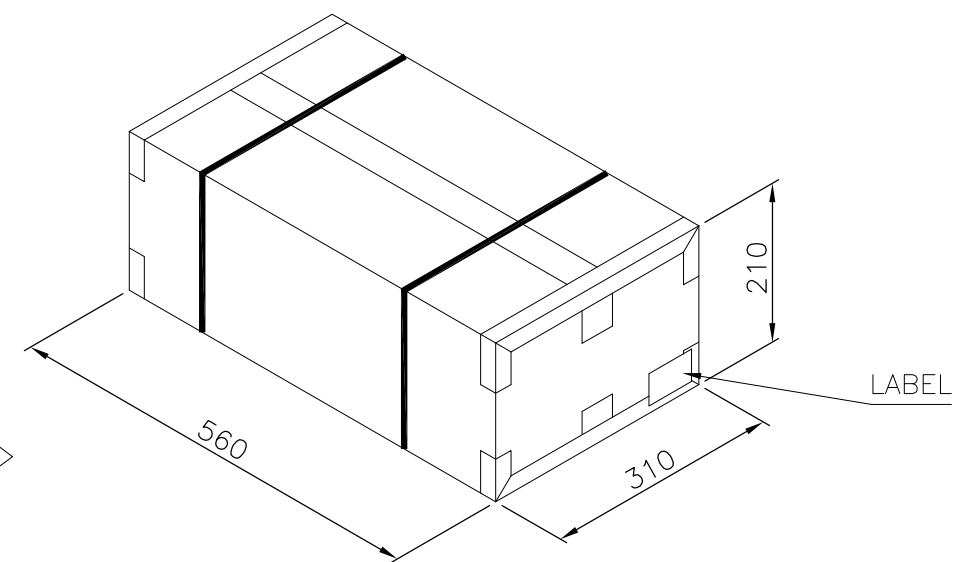
THIS DRAWING IS A CONTROLLED DOCUMENT.		DWN B. HSING 21JUL2009	TE Connectivity MODULAR JACK CONNECTOR RJ45, 8P8C, VERTICAL, DIP TYPE.											
DIMENSIONS: mm		CHK S. CHIEN 21JUL2009												
TOLERANCES UNLESS OTHERWISE SPECIFIED:		APVD W. KODAMA 21JUL2009												
<table border="1"> <tr><td>0 PLC</td><td>± -</td></tr> <tr><td>1 PLC</td><td>± 0.3</td></tr> <tr><td>2 PLC</td><td>± 0.2</td></tr> <tr><td>3 PLC</td><td>± 0.15</td></tr> <tr><td>4 PLC</td><td>± -</td></tr> <tr><td>ANGLES</td><td>± 3'</td></tr> </table>		0 PLC			± -	1 PLC	± 0.3	2 PLC	± 0.2	3 PLC	± 0.15	4 PLC	± -	ANGLES
0 PLC	± -													
1 PLC	± 0.3													
2 PLC	± 0.2													
3 PLC	± 0.15													
4 PLC	± -													
ANGLES	± 3'													
MATERIAL SEE NOTE	FINISH SEE NOTE	APVD W. KODAMA 21JUL2009	NAME	RESTRICTED TO										
CUSTOMER DRAWING		WEIGHT -	SIZE A3	CAGE CODE 00779										
		SCALE 1:1	DRAWING NO C-1734577	SHEET 3 of 5										
				REV D										

THIS DRAWING IS UNPUBLISHED. RELEASED FOR PUBLICATION
 © COPYRIGHT - By - ALL RIGHTS RESERVED.


REVISIONS				
P	LTR	DESCRIPTION	DATE	APVD
-	-	SEE SHEET 1	-	-



- NOTES:
- MATERIAL:
 TRAY: PET.
 POLYLONE: POLYLONE
 SHIPPING BOX: CORRUGATED FIBER.
 - DIMENSION:
 TRAY: L=300mm, W=270mm, H=19mm
 SHIPPING CARTON: L=560mm, W=310mm, H=210mm
 - QUANTITY: SEE TABLE
 - WEIGHT: SEE TABLE



15 KG	13.3 KG	100	20	2000
GROSS WEIGHT	NET WEIGHT	PCS/TRAY	TRAY/BOX	PCS/BOX

THIS DRAWING IS A CONTROLLED DOCUMENT.		DWN B. HSING 21JUL2009	 TE Connectivity NAME MODULAR JACK CONNECTOR RJ45, 8P8C, VERTICAL, DIP TYPE.											
DIMENSIONS: mm		CHK S. CHIEN 21JUL2009												
TOLERANCES UNLESS OTHERWISE SPECIFIED:		APVD W. KODAMA 21JUL2009												
<table border="1"> <tr><td>0 PLC</td><td>± -</td></tr> <tr><td>1 PLC</td><td>± 0.3</td></tr> <tr><td>2 PLC</td><td>± 0.2</td></tr> <tr><td>3 PLC</td><td>± 0.15</td></tr> <tr><td>4 PLC</td><td>± -</td></tr> <tr><td>ANGLES</td><td>± 3'</td></tr> </table>		0 PLC				± -	1 PLC	± 0.3	2 PLC	± 0.2	3 PLC	± 0.15	4 PLC	± -
0 PLC	± -													
1 PLC	± 0.3													
2 PLC	± 0.2													
3 PLC	± 0.15													
4 PLC	± -													
ANGLES	± 3'													
MATERIAL SEE NOTE	FINISH SEE NOTE	APPLICATION SPEC -	SIZE A3	CAGE CODE 00779	DRAWING NO C-1734577	RESTRICTED TO -								
CUSTOMER DRAWING			SCALE 1:1	SHEET 4 OF 5	REV D									

THIS DRAWING IS UNPUBLISHED.

RELEASED FOR PUBLICATION

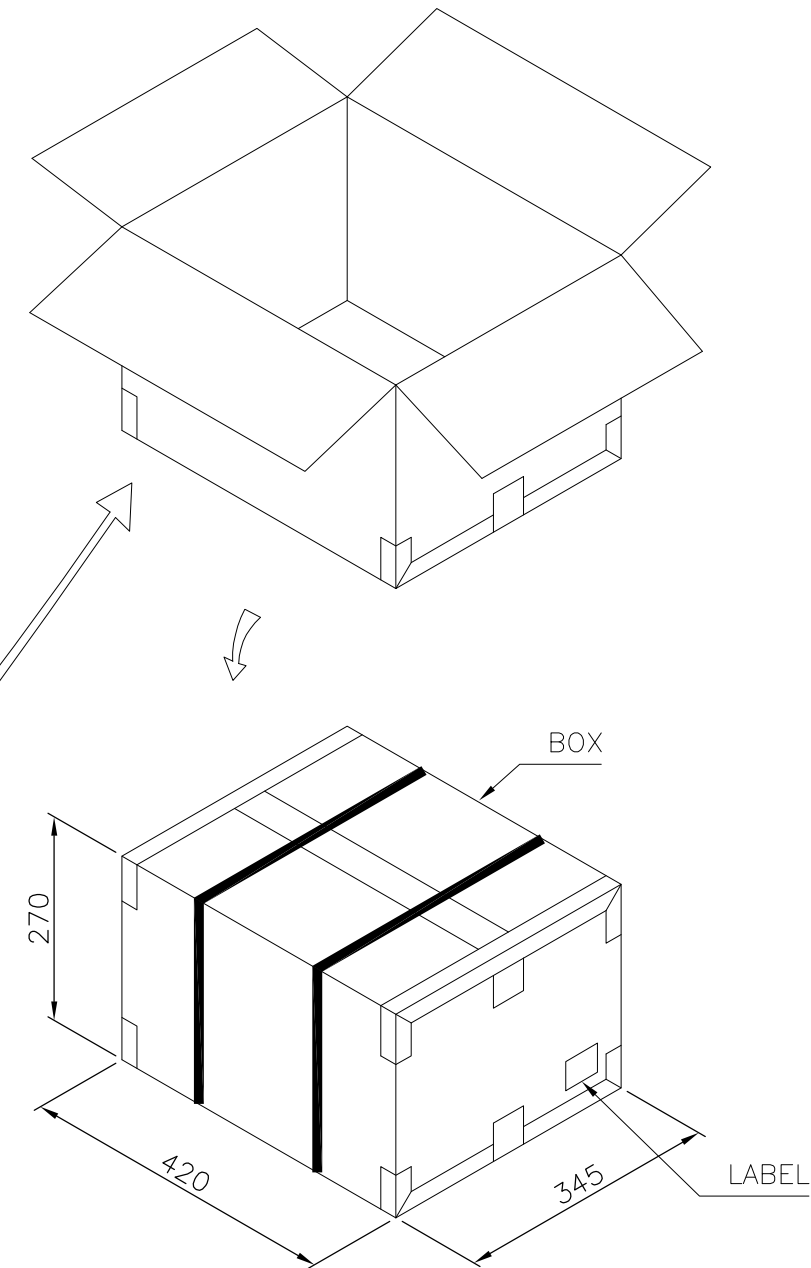
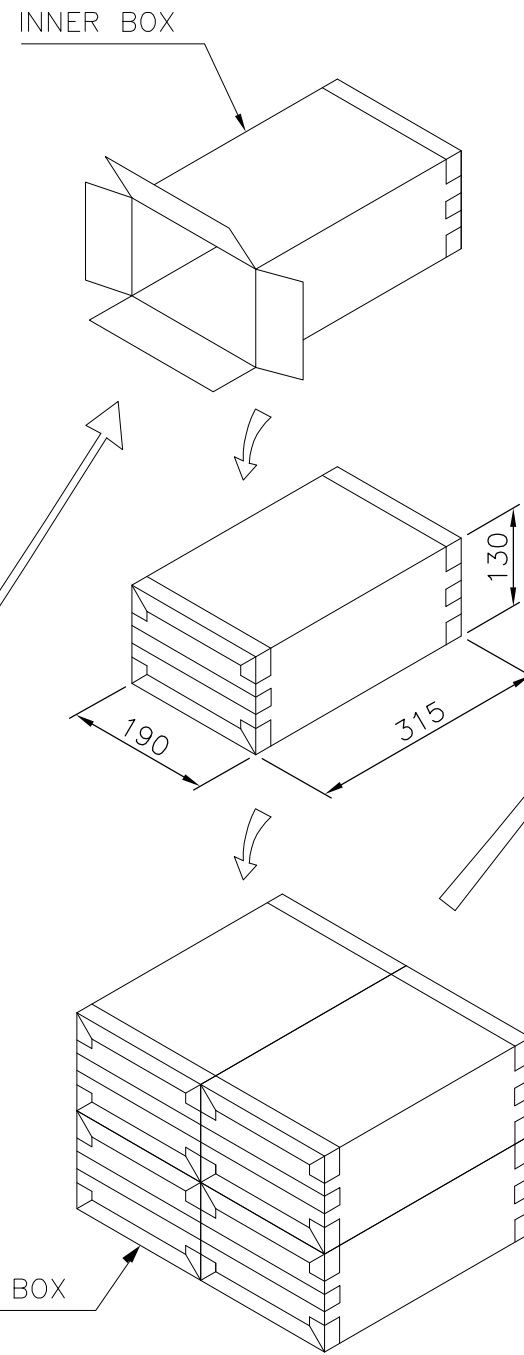
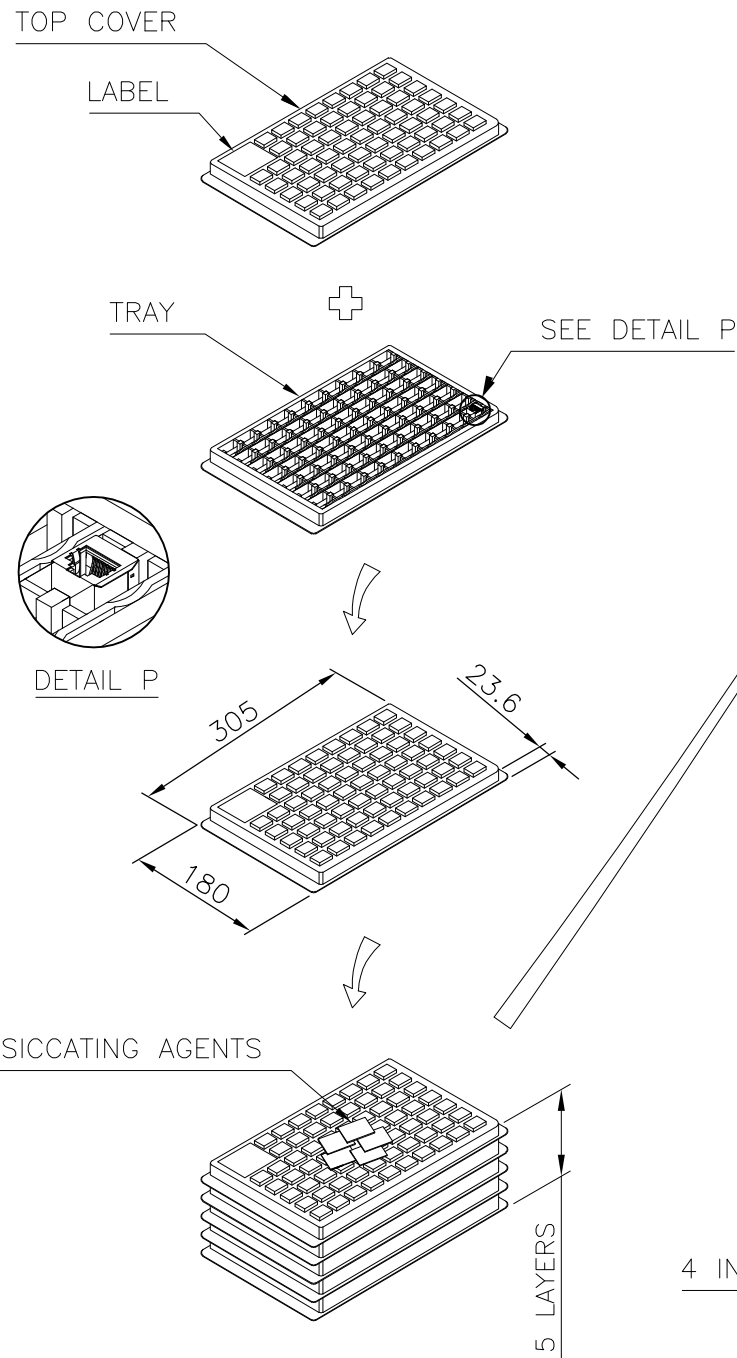
ALL RIGHTS RESERVED.

© COPYRIGHT - By -

REVISIONS

P	LTR	DESCRIPTION	DATE	DWN	APVD
-	-	SEE SHEET 1	-	-	-

PACKAGE ONLY FOR 6-1734577-3



NOTES:

- MATERIAL:
TRAY: PET.
POLYLONE: POLYLONE
BOX: CORRUGATED FIBER.
- DIMENSION:
TRAY: L=308mm, W=180mm, H=23.6mm
INNER BOX: L=315mm, W=190mm, H=130mm
BOX: L=420mm, W=345mm, H=275mm
- QUANTITY: SEE TABLE
- WEIGHT: SEE TABLE

17.0 KG	13.3 KG	70	350	1400	6-1734577-3
GROSS WEIGHT	NET WEIGHT	PCS/TRAY	TRAY/INNER BOX	PCS/BOX	PART NUMBER

THIS DRAWING IS A CONTROLLED DOCUMENT.		DWN B. HSING 21JUL2009	 TE Connectivity MODULAR JACK CONNECTOR RJ45, 8P8C, VERTICAL, DIP TYPE.											
DIMENSIONS: mm		CHK S. CHIEN 21JUL2009												
TOLERANCES UNLESS OTHERWISE SPECIFIED:		APVD W. KODAMA 21JUL2009												
<table border="1"> <tr><td>0 PLC</td><td>± -</td></tr> <tr><td>1 PLC</td><td>± 0.3</td></tr> <tr><td>2 PLC</td><td>± 0.2</td></tr> <tr><td>3 PLC</td><td>± 0.15</td></tr> <tr><td>4 PLC</td><td>± -</td></tr> <tr><td>ANGLES</td><td>± 3'</td></tr> </table>		0 PLC				± -	1 PLC	± 0.3	2 PLC	± 0.2	3 PLC	± 0.15	4 PLC	± -
0 PLC	± -													
1 PLC	± 0.3													
2 PLC	± 0.2													
3 PLC	± 0.15													
4 PLC	± -													
ANGLES	± 3'													
MATERIAL SEE NOTE		FINISH SEE NOTE	PRODUCT SPEC -	APPLICATION SPEC -	RESTRICTED TO -									
CUSTOMER DRAWING			SIZE A3	CAGE CODE 00779	DRAWING NO C-1734577									
			SCALE 1:1	SHEET 5 of 5	REV D									

Mouser Electronics

Authorized Distributor

Click to View Pricing, Inventory, Delivery & Lifecycle Information:

[TE Connectivity:](#)

[1734577-4](#)