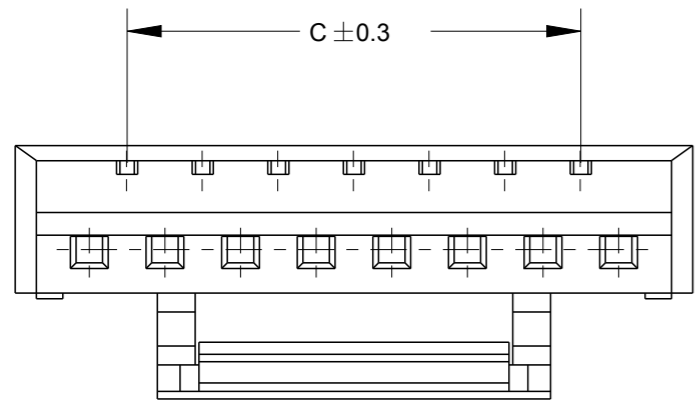
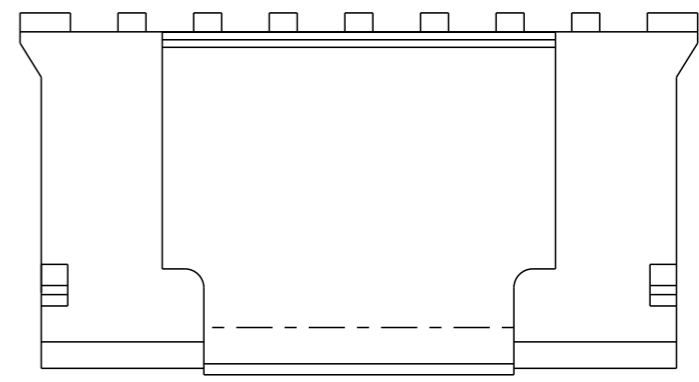
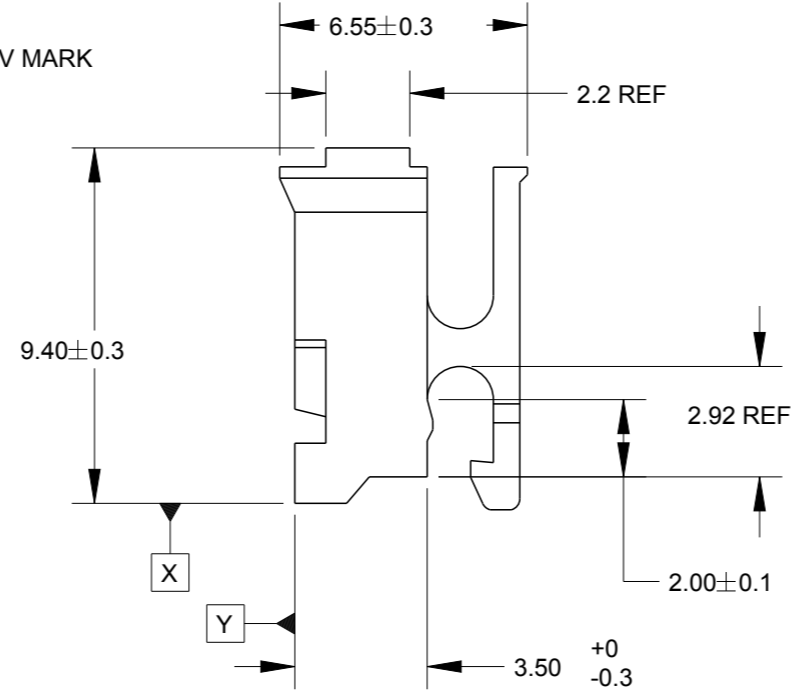
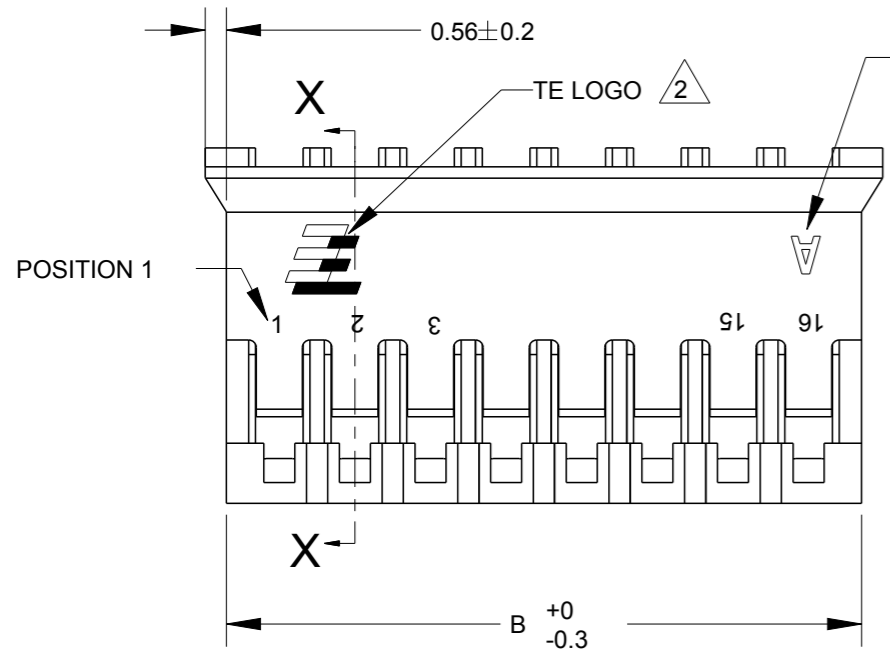
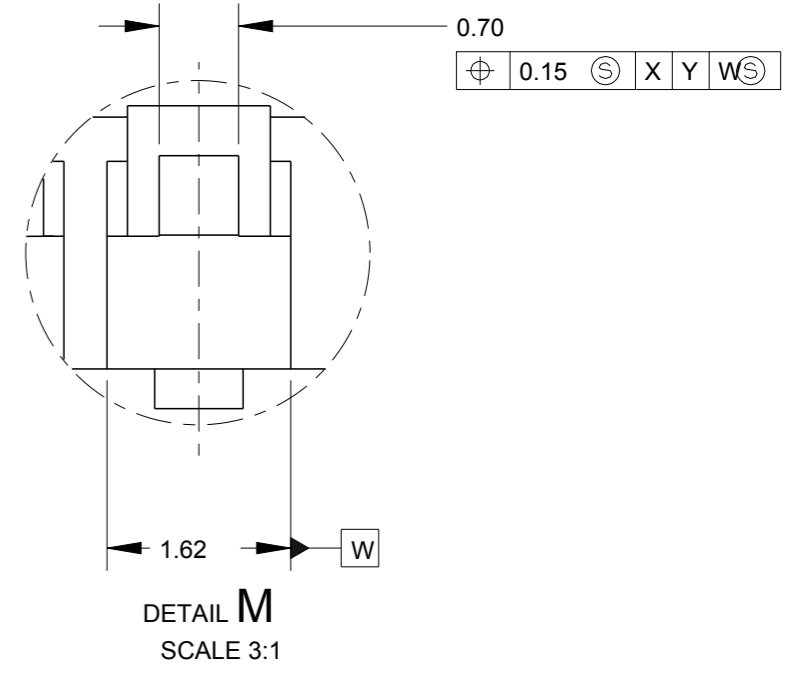
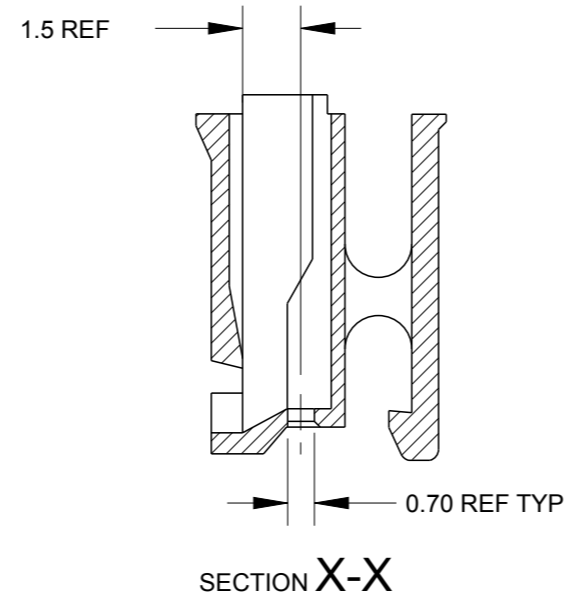
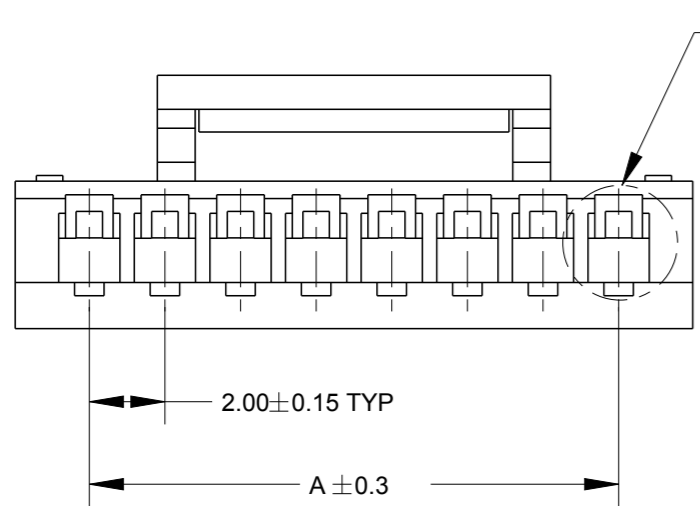


THIS DRAWING IS UNPUBLISHED. RELEASED FOR PUBLICATION

© COPYRIGHT BY TYCO ELECTRONICS CORPORATION. ALL RIGHTS RESERVED.

| LOC | DIST | REVISIONS | | | |
|-----|------|-------------|---------------------------|---------|-----------|
| P | LTR | DESCRIPTION | DATE | DWN | APVD |
| DY | - | F2 | REVISED PER ECR-13-019056 | 09DEC13 | S.C. W.K. |

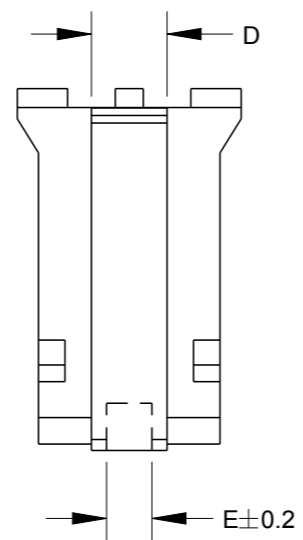
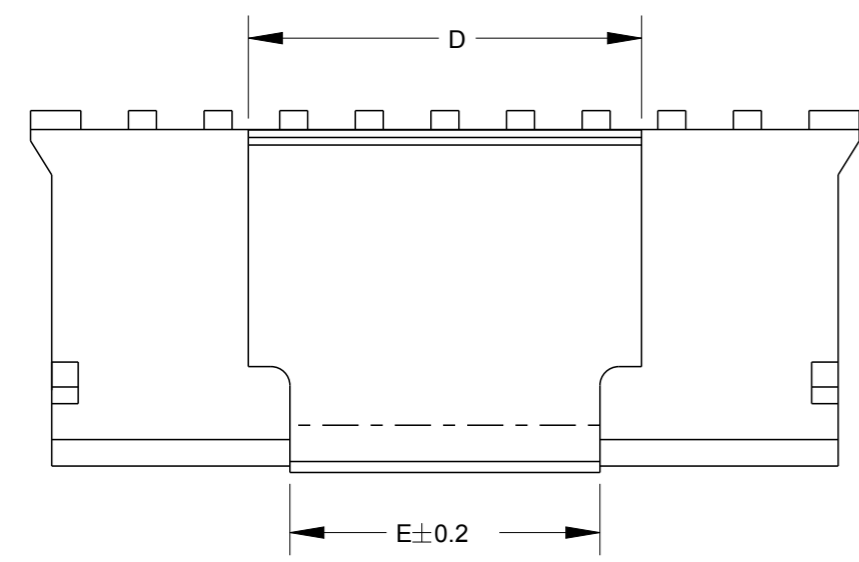
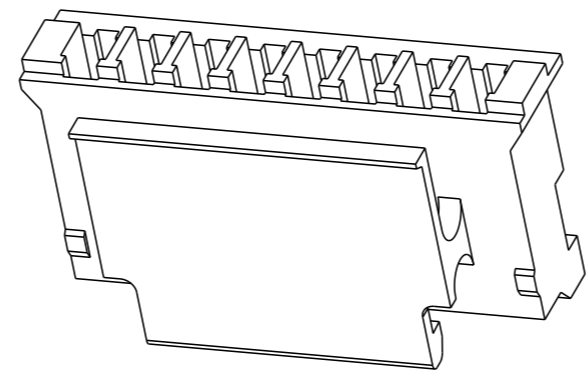
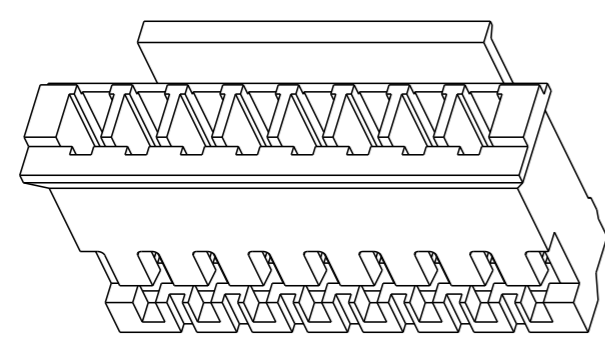


| | | | | | |
|---|--|---|--|--|--|
| <small>THIS DRAWING IS A CONTROLLED DOCUMENT FOR TYCO ELECTRONICS CORPORATION IT IS SUBJECT TO CHANGE AND THE CONTROLLING ENGINEERING ORGANIZATION SHOULD BE CONTACTED FOR THE LATEST REVISION.</small> | | DWN WYLEE 01JUNE2007 CHK KT GOH 01JUNE2007 APVD SF LEONG 01JUNE2007 | | | |
| DIMENSIONS: mm | | TOLERANCES UNLESS OTHERWISE SPECIFIED: 0 PLC ±- 1 PLC ±- 2 PLC ±- 3 PLC ±- 4 PLC ±- ANGLES ±- FINISH - | | NAME HPI 2.0 RECEPTACLE HOUSING WITH LATCH PRODUCT SPEC 108-51087 APPLICATION SPEC - WEIGHT - | |
| MATERIAL 1 | | CUSTOMER DRAWING | | SIZE A3 CAGE CODE 00779 DRAWING NO 1735447 | RESTRICTED TO SCALE 5:1 SHEET 1 OF 2 REV F2 |

THIS DRAWING IS UNPUBLISHED. RELEASED FOR PUBLICATION
 © COPYRIGHT BY TYCO ELECTRONICS CORPORATION. ALL RIGHTS RESERVED.

| LOC | DIST | REVISIONS | | | |
|-----|------|-------------|------|-----|------|
| P | LTR | DESCRIPTION | DATE | DWN | APVD |
| DY | - | SEE SHEET 1 | | | |

- NOTES:
- 1 MATERIAL: THERMOPLASTIC, UL94V-0,
 - 2 TE LOGO LOCATED AT APPROXIMATE LOCATION AS SHOWN
 - 3. SUITABLE TE CONTACT: 1735801-1 APPLICABLE WIRE SIZE #24~#30 ONLY



5~16P

3~4P

| COLOUR | E | D | C | B | A | POS | PART NUMBER |
|---------|--------------------------------------|----------|-------|-------|-------|-------------|-------------|
| BLACK | 8.2 | 10.4±0.2 | 28.00 | 32.80 | 30.00 | 16P | 3-1735447-6 |
| | 8.2 | 10.4±0.2 | 26.00 | 30.80 | 28.00 | 15P | 3-1735447-5 |
| | 8.2 | 10.4±0.2 | 24.00 | 28.80 | 26.00 | 14P | 3-1735447-4 |
| | 8.2 | 10.4±0.2 | 22.00 | 26.80 | 24.00 | 13P | 3-1735447-3 |
| | 8.2 | 10.4±0.2 | 20.00 | 24.80 | 22.00 | 12P | 3-1735447-2 |
| | 8.2 | 10.4±0.2 | 18.00 | 22.80 | 20.00 | 11P | 3-1735447-1 |
| | 8.2 | 10.4±0.2 | 16.00 | 20.80 | 18.00 | 10P | 3-1735447-0 |
| | 8.2 | 10.4±0.2 | 14.00 | 18.80 | 16.00 | 9P | 2-1735447-9 |
| | 8.2 | 10.4±0.2 | 12.00 | 16.80 | 14.00 | 8P | 2-1735447-8 |
| | 7.3 | 9.5±0.2 | 10.00 | 14.80 | 12.00 | 7P | 2-1735447-7 |
| | 5.3 | 7.5±0.2 | 8.00 | 12.80 | 10.00 | 6P | 2-1735447-6 |
| | 3.3 | 5.5±0.2 | 6.00 | 10.80 | 8.00 | 5P | 2-1735447-5 |
| | 1.3 | 3.5±0.2 | 4.00 | 8.80 | 6.00 | 4P | 2-1735447-4 |
| 1.0 | 1.8 ^{+0.08} _{-0.2} | 2.00 | 6.80 | 4.00 | 3P | 2-1735447-3 | |
| NATURAL | 8.2 | 10.4±0.2 | 28.00 | 32.80 | 30.00 | 16P | 1-1735447-6 |
| | 8.2 | 10.4±0.2 | 26.00 | 30.80 | 28.00 | 15P | 1-1735447-5 |
| | 8.2 | 10.4±0.2 | 24.00 | 28.80 | 26.00 | 14P | 1-1735447-4 |
| | 8.2 | 10.4±0.2 | 22.00 | 26.80 | 24.00 | 13P | 1-1735447-3 |
| | 8.2 | 10.4±0.2 | 20.00 | 24.80 | 22.00 | 12P | 1-1735447-2 |
| | 8.2 | 10.4±0.2 | 18.00 | 22.80 | 20.00 | 11P | 1-1735447-1 |
| | 8.2 | 10.4±0.2 | 16.00 | 20.80 | 18.00 | 10P | 1-1735447-0 |
| | 8.2 | 10.4±0.2 | 14.00 | 18.80 | 16.00 | 9P | 1735447-9 |
| | 8.2 | 10.4±0.2 | 12.00 | 16.80 | 14.00 | 8P | 1735447-8 |
| | 7.3 | 9.5±0.2 | 10.00 | 14.80 | 12.00 | 7P | 1735447-7 |
| | 5.3 | 7.5±0.2 | 8.00 | 12.80 | 10.00 | 6P | 1735447-6 |
| | 3.3 | 5.5±0.2 | 6.00 | 10.80 | 8.00 | 5P | 1735447-5 |
| | 1.3 | 3.5±0.2 | 4.00 | 8.80 | 6.00 | 4P | 1735447-4 |
| 1.0 | 1.8 ^{+0.08} _{-0.2} | 2.00 | 6.80 | 4.00 | 3P | 1735447-3 | |

THIS DRAWING IS A CONTROLLED DOCUMENT FOR TYCO ELECTRONICS CORPORATION IT IS SUBJECT TO CHANGE AND THE CONTROLLING ENGINEERING ORGANIZATION SHOULD BE CONTACTED FOR THE LATEST REVISION.

DIMENSIONS: mm

TOLERANCES UNLESS OTHERWISE SPECIFIED:

| | |
|--------|---|
| 0 PLC | ± |
| 1 PLC | ± |
| 2 PLC | ± |
| 3 PLC | ± |
| 4 PLC | ± |
| ANGLES | ± |
| FINISH | - |

MATERIAL: 1

DWN WYLEE 01JUNE2007
 CHK KT GOH 01JUNE2007
 APVD SFLEONG 01JUNE2007

PRODUCT SPEC: 108-51087
 APPLICATION SPEC: -

WEIGHT: -

CUSTOMER DRAWING

TE Connectivity

NAME: HPI 2.0 RECEPTACLE HOUSING WITH LATCH

SIZE: A3 CAGE CODE: 00779 DRAWING NO: 1735447 RESTRICTED TO: -

SCALE: 5:1 SHEET: 2 OF 2 REV: F2

Mouser Electronics

Authorized Distributor

Click to View Pricing, Inventory, Delivery & Lifecycle Information:

[TE Connectivity:](#)

[1735447-4](#)