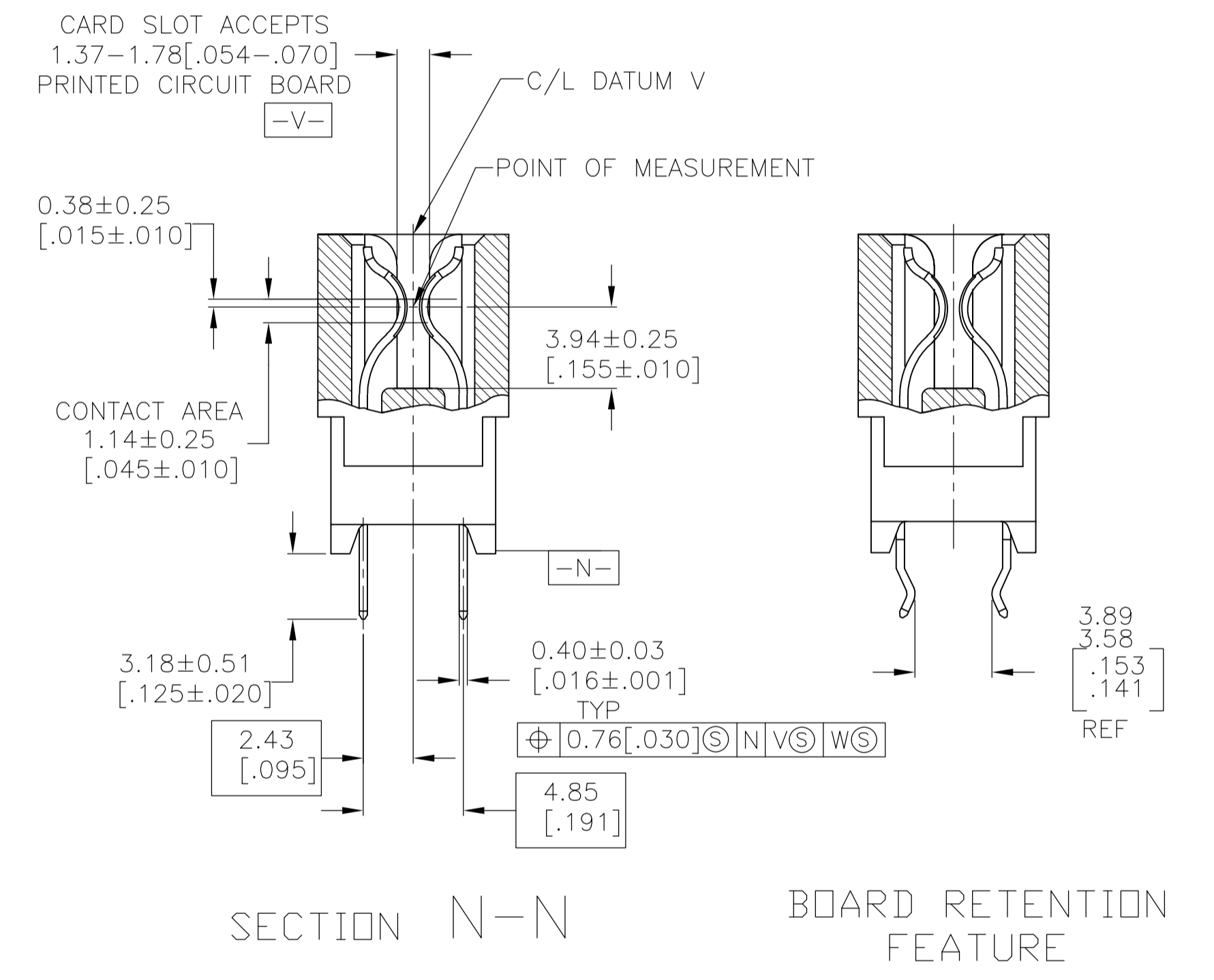
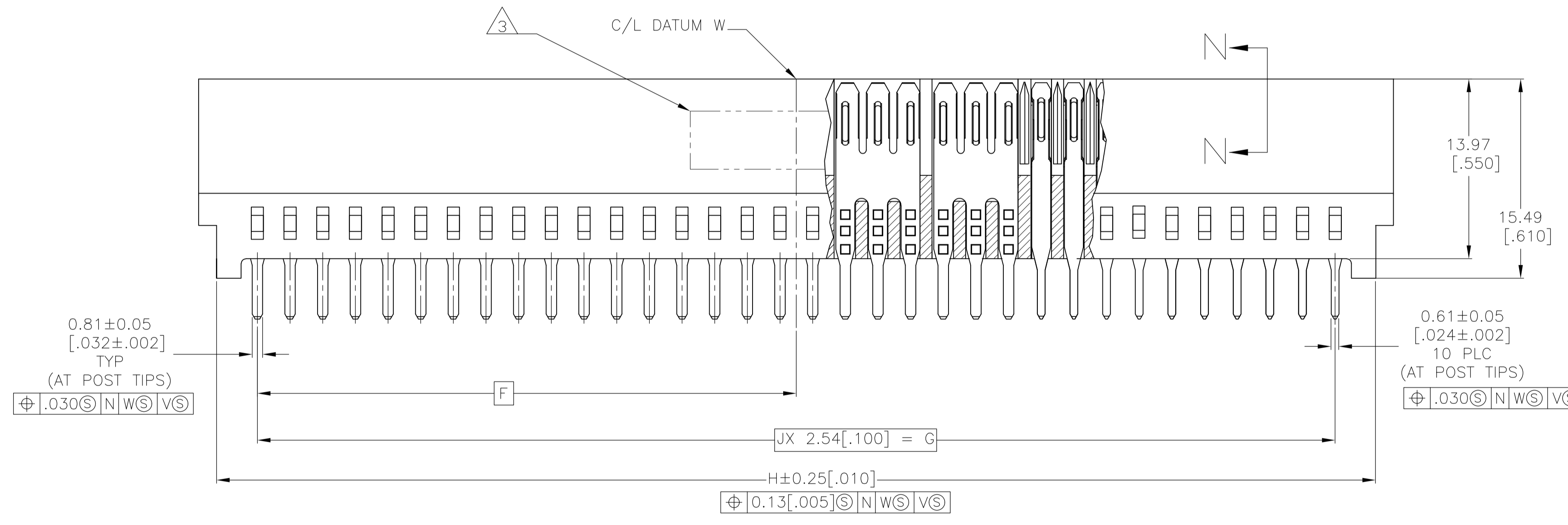
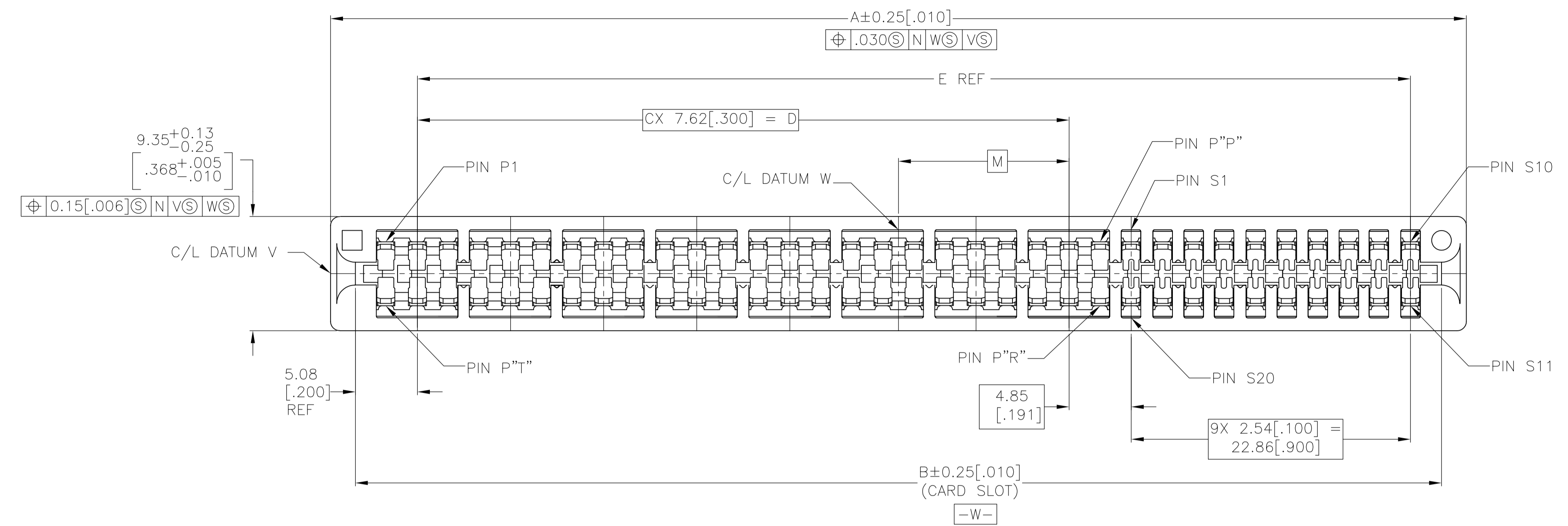


- HOUSING: GLASS FILLED POLYESTER, BLACK, IR REFLOW COMPATIBLE
- CONTACT: HIGH CONDUCTIVITY COPPER ALLOY.
 NICKEL PLATE .00127 [.000050] MIN - ALL OVER.
 TIN PLATE .00254 [.000100] MIN - SOLDER POSTS.
 GOLD PLATE .00038 [.000015] MIN - IN MATING AREA.
- AMP PART NUMBER, DATE CODE AND CSA LOGO MARKED IN APPROXIMATE AREA SHOWN, EITHER SIDE.
- DATUMS X, Y & BASIC DIMENSIONS ARE TO BE ESTABLISHED BY THE CUSTOMER
- NO BURRS AND/OR SHARP EDGES ARE PERMISSIBLE
- QUALIFICATION TESTING HAS NOT BEEN COMPLETED.



P2, P3, S8, S9, S12, S13, P16, P17	P18	P10	P9	-5.08 [-2.00]	50.42 [1.985]	45.72 [1.800]	18	52.07 [2.050]	20.32 [.800]	22.86 [1.900]	43.18 [1.700]	15.24 [.600]	2	50.80 [2.000]	54.86 [2.160]	NONE	NONE	10	3	1761426-3
P2, P3, S8, S9, S12, S13, P28, P29	P30	P16	P15	2.54 [.100]	65.66 [2.585]	60.96 [2.400]	24	67.31 [2.650]	35.56 [1.400]	30.48 [1.200]	58.42 [2.300]	30.48 [1.200]	4	66.04 [2.600]	70.10 [2.760]	NONE	NONE	10	5	1761426-2
P2, P3, S8, S9, S12, S13, P46, P47	P48	P25	P24	13.97 [.550]	88.52 [3.485]	83.82 [3.300]	33	90.17 [3.550]	58.42 [2.300]	41.91 [1.650]	81.28 [3.200]	53.34 [2.100]	7	88.90 [3.500]	92.96 [3.660]	NONE	NONE	10	8	1761426-1 (SHOWN)
BOARD RETENTION FEATURE LOCATION	T	R	P	M	L	K	J	H	G	F	E	D	C	B	A	MOLDED KEY LOCATION	OMITTED PIN	NO OF SINGLE POSITIONS	NO OF MULTIPLE POSITIONS	PART NUMBER

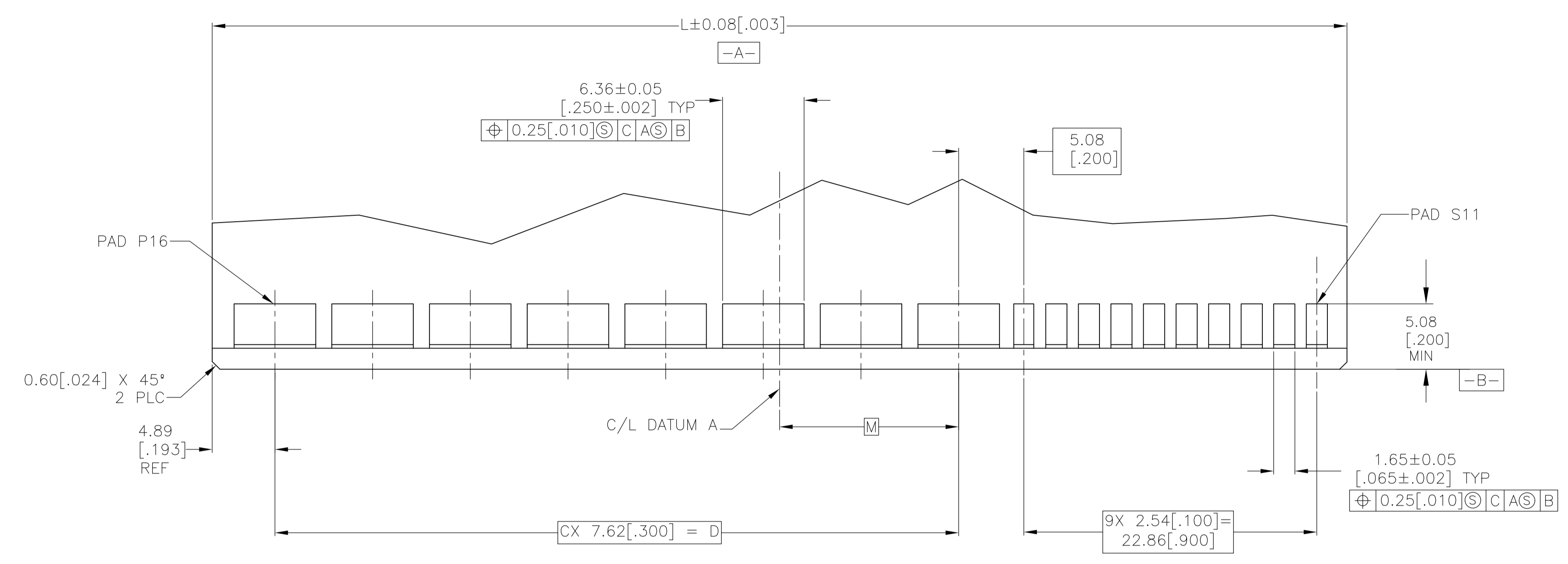
THIS DRAWING IS A CONTROLLED DOCUMENT.

DIMENSIONS:	TOLERANCES UNLESS OTHERWISE SPECIFIED:	SIZE	CAGE CODE	DRAWING NO	RESTRICTED TO
MM [INCHES]	0 PLC ± -	A1	00779	1761426	-
	1 PLC ± -	SCALE	4:1	SHEET	1 OF 2
	2 PLC ± -	REV			
	3 PLC ± 0.13 [.005]				
	4 PLC ± -				
	ANGLES ± °				

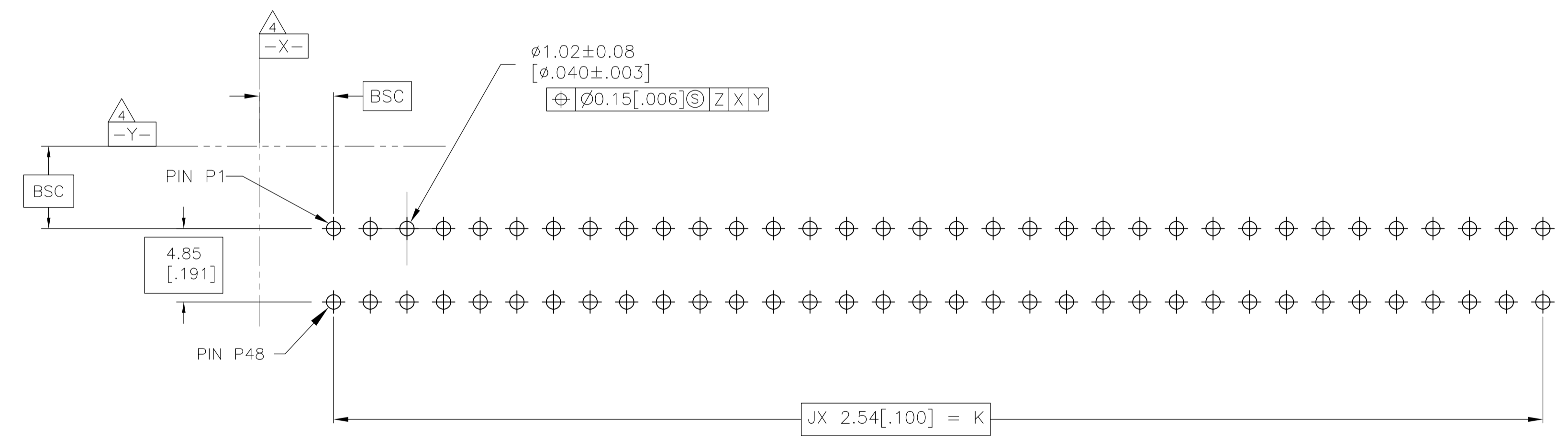
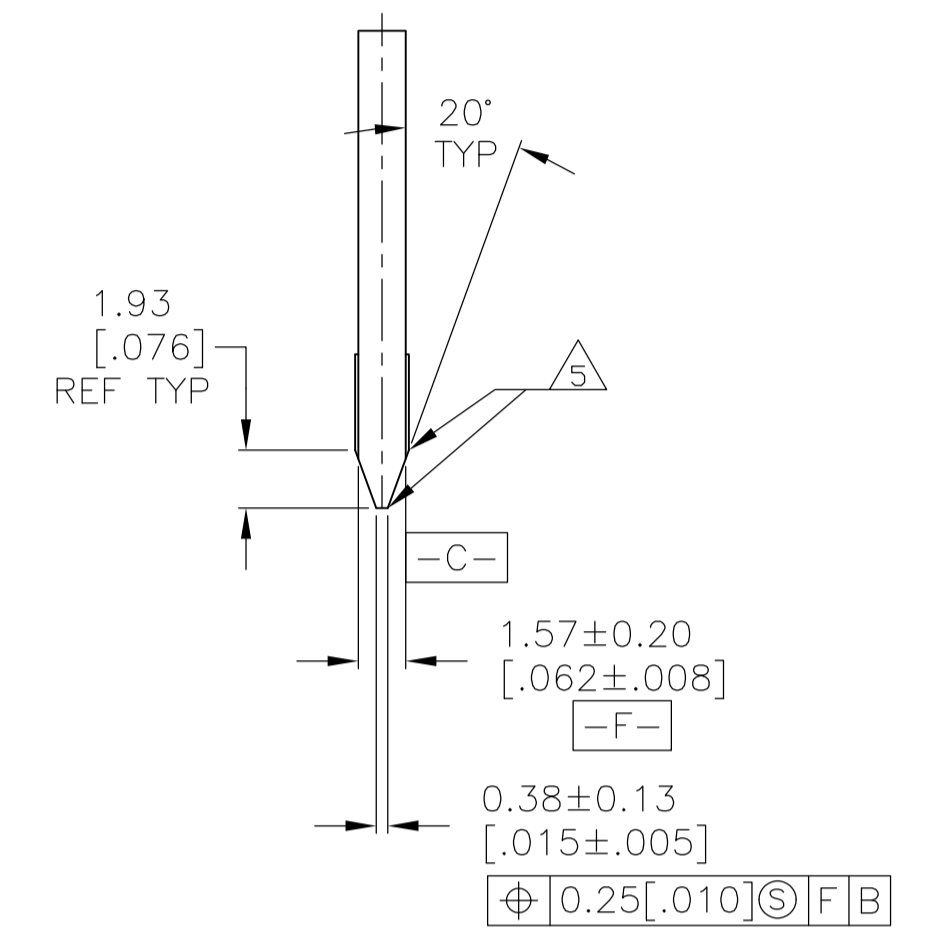
MATERIAL: SEE NOTE 1 & 2
 FINISH: SEE NOTE 2
 CUSTOMER DRAWING

APPROVED: AL FRANTUM
 DATE: 09 JUL 04
 NAME: S. FLICKINGER
 PRODUCT SPEC: CONNECTOR ASSEMBLY, SEC II POWER, DUAL POSITION, 2.54 [.100] CENTERLINE, CARD EDGE

Tyco Electronics Corporation
 Middletown, PA 17057



RECOMMENDED MATING BOARD EDGE CONFIGURATION
 -1 CONFIGURATION SHOWN
 TYP BOTH SIDES



RECOMMENDED PC BOARD HOLE LAYOUT
 -1 CONFIGURATION SHOWN

THIS DRAWING IS A CONTROLLED DOCUMENT.		DIN AL FRANTUM 09 JUL 04		Tyco Electronics Corporation	
DIMENSIONS: mm [INCHES]		CHK AL FRANTUM 09 JUL 04		Middletown, PA 17057	
TOLERANCES UNLESS OTHERWISE SPECIFIED:		APVD S. FLICKINGER 29JUNE2006		NAME	
0 PLC ± -	1 PLC ± -	PRODUCT SPEC		CONNECTOR ASSEMBLY, SEC II POWER, DUAL POSITION, 2.54 [0.100] CENTERLINE, CARD EDGE	
2 PLC ± -	3 PLC ± 0.13 [0.005]	APPLICATION SPEC		SIZE CAGE CODE DRAWING NO RESTRICTED TO	
4 PLC ± -	ANGLES ± -	WEIGHT		A1 00779 C=1761426	
MATERIAL SEE PAGE 1	FINISH SEE PAGE 1	CUSTOMER DRAWING		SCALE 5:1 SHEET 2 OF 2 REV B	

Mouser Electronics

Authorized Distributor

Click to View Pricing, Inventory, Delivery & Lifecycle Information:

[TE Connectivity:](#)

[1761426-2](#)