

THIS DRAWING IS UNPUBLISHED. RELEASED FOR PUBLICATION
 © COPYRIGHT BY TYCO ELECTRONICS CORPORATION. ALL RIGHTS RESERVED.

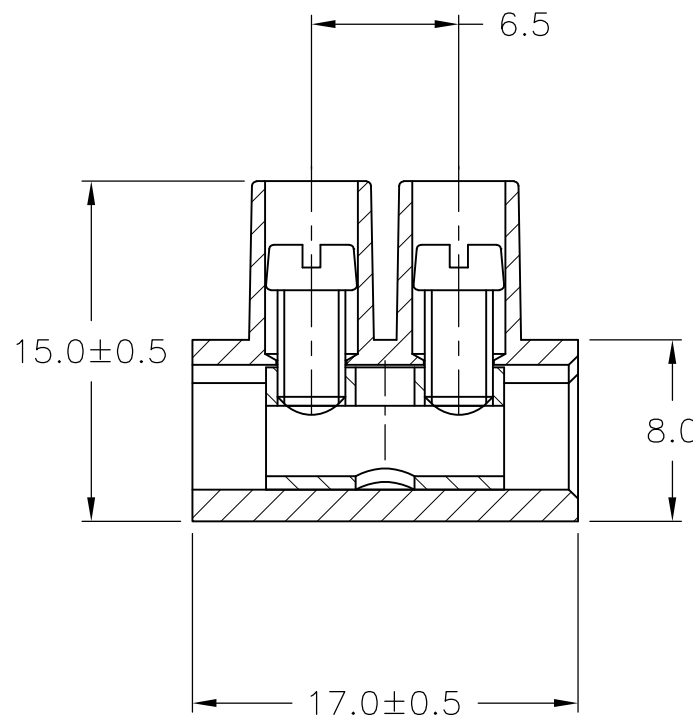
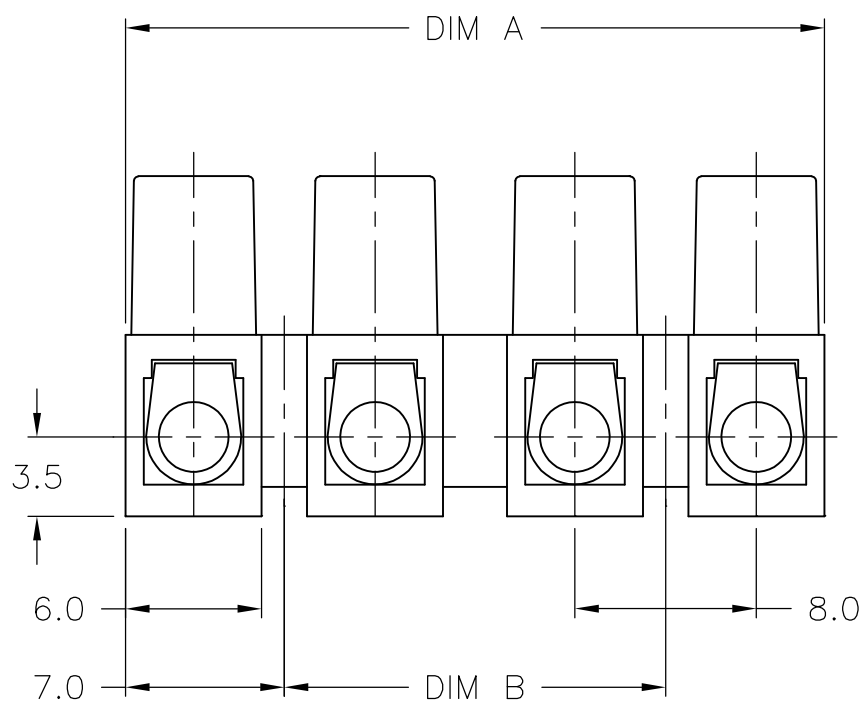
LOC	DIST	REVISIONS					
FT	0	P	LTR	DESCRIPTION	DATE	DWN	APVD
			01	REVISED PER ECO-07-019134	8/20/07	SS	CR

MATERIALS:
 HOUSING: POLYAMIDE 6, UL94V-2.
 COLOR: NATURAL.
 TUBULAR CONTACT: BRASS, TIN PLATED.
 SCREW: M3, STEEL, ZINC PLATED W/ NON-HEXAVALENT CHROMATE (CHROME III).

MECHANICAL:
 PITCH: 8.0mm
 WIRE STRIP LENGTH: 5mm
 MIN. WIRE PULL OUT: 75 LBS.
 RECOMMENDED TIGHTENING TORQUE: 5 IN-LB.

ELECTRICAL PROPERTIES:
 MAXIMUM CURRENT: 30A
 OPERATING VOLTAGE: 250V
 WIRE RANGE: 12-24 AWG
 DIELECTRIC WITHSTAND: 3000V

ENVIRONMENTAL PROPERTIES:
 CONTINUOUS WORKING TEMP: -35°C TO +100°C



80.0	94.0±1.0	12	TSB230 12	1-1776294-2
72.0	86.0±0.7	11	TSB230 11	-
64.0	78.0±0.7	10	TSB230 10	1-1776294-0
56.0	70.0±0.7	9	TSB230 09	1776294-9
48.0	62.0±0.7	8	TSB230 08	1776294-8
40.0	54.0±0.7	7	TSB230 07	-
32.0	46.0±0.7	6	TSB230 06	1776294-6
24.0	38.0±0.5	5	TSB230 05	1776294-5
16.0	30.0±0.5	4	TSB230 04	1776294-4
8.0	22.0±0.5	3	TSB230 03	1776294-3
-	14.0±0.5	2	TSB230 02	1776294-2
-	6.0±0.3	1	TSB230 01	1776294-1
DIM B	DIM A	NO. OF POS.	CATALOG NUMBER	PART NUMBER

THIS DRAWING IS A CONTROLLED DOCUMENT.		DWN S SCHLEGEL 3/18/05	Tyco Electronics Corporation Harrisburg, Pa 17105-3608	
DIMENSIONS: mm		CHK C RICHARD 3/18/05	NAME 8.0mm PITCH, 30A, W/ TUNNEL CONNECTION EUROPA TERMINAL BLOCK	
TOLERANCES UNLESS OTHERWISE SPECIFIED:		APVD C RICHARD 3/18/05	PRODUCT SPEC	
0 PLC ± - 1 PLC ± 0.3 2 PLC ± 0.25 3 PLC ± - 4 PLC ± - ANGLES ± -		APPLICATION SPEC		
MATERIAL	FINISH	WEIGHT	SIZE A3	CAGE CODE 00779
-	-	-	DRAWING NO G-1776294	RESTRICTED TO -
CUSTOMER DRAWING			SCALE NTS	SHEET 1 OF 1
			REV 01	

Mouser Electronics

Authorized Distributor

Click to View Pricing, Inventory, Delivery & Lifecycle Information:

[TE Connectivity:](#)

[1776294-4](#)