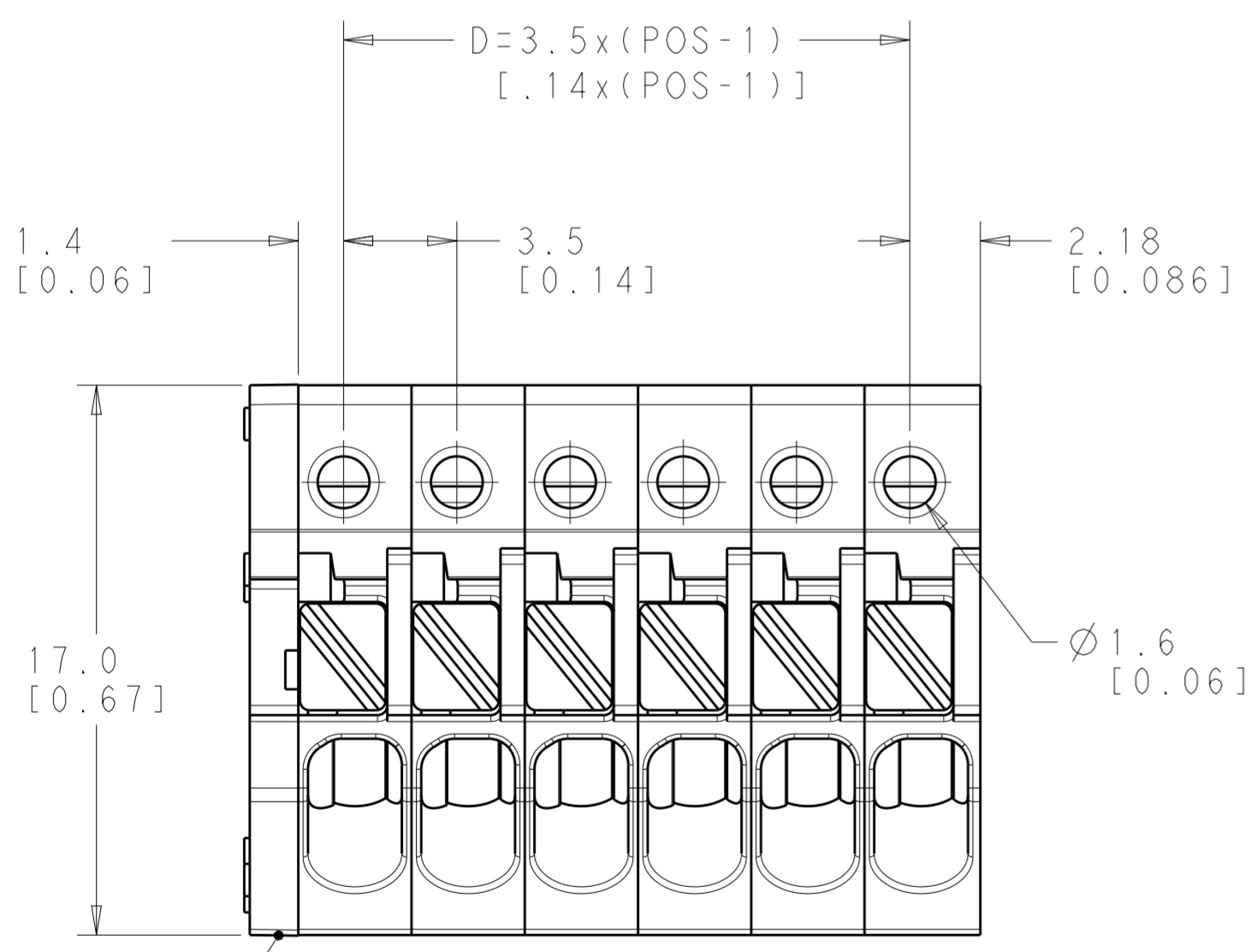
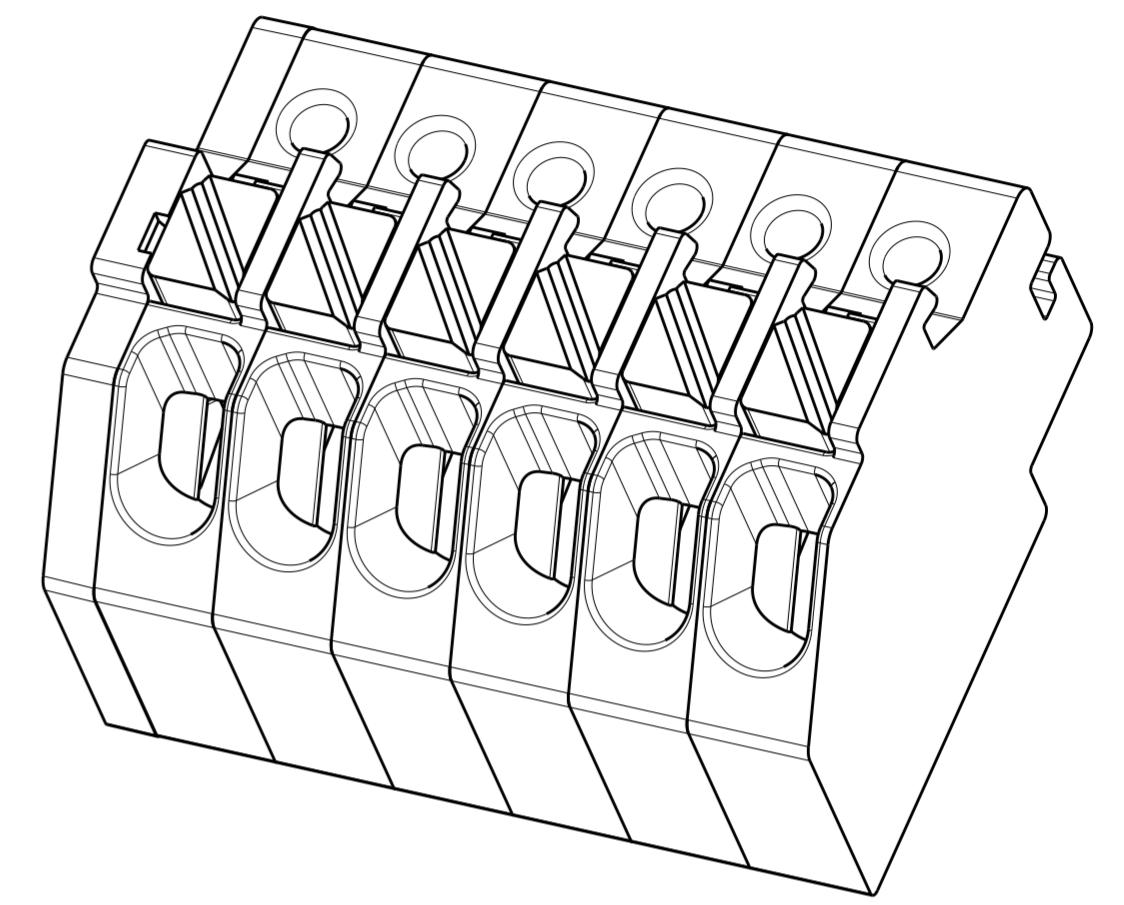
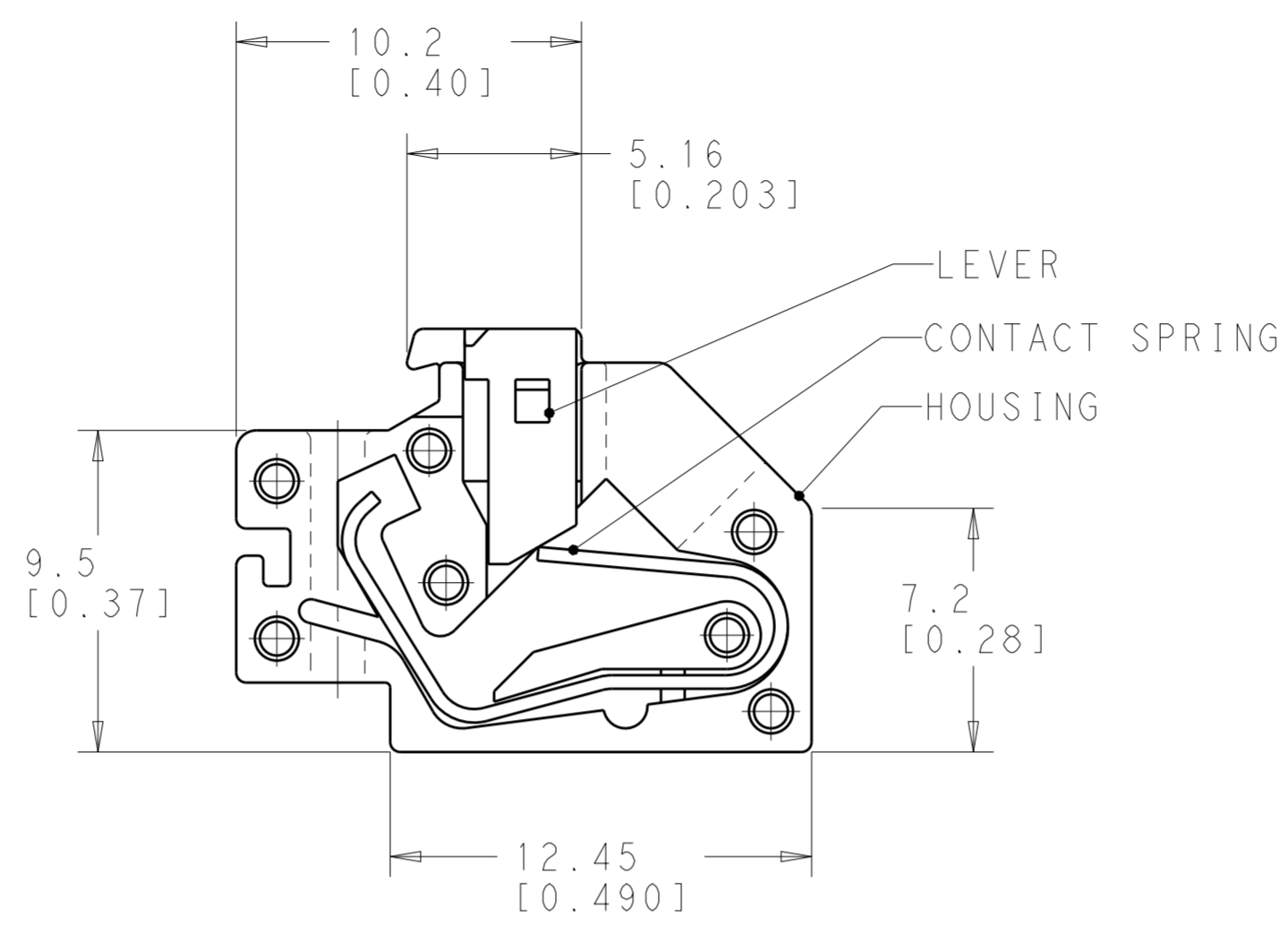
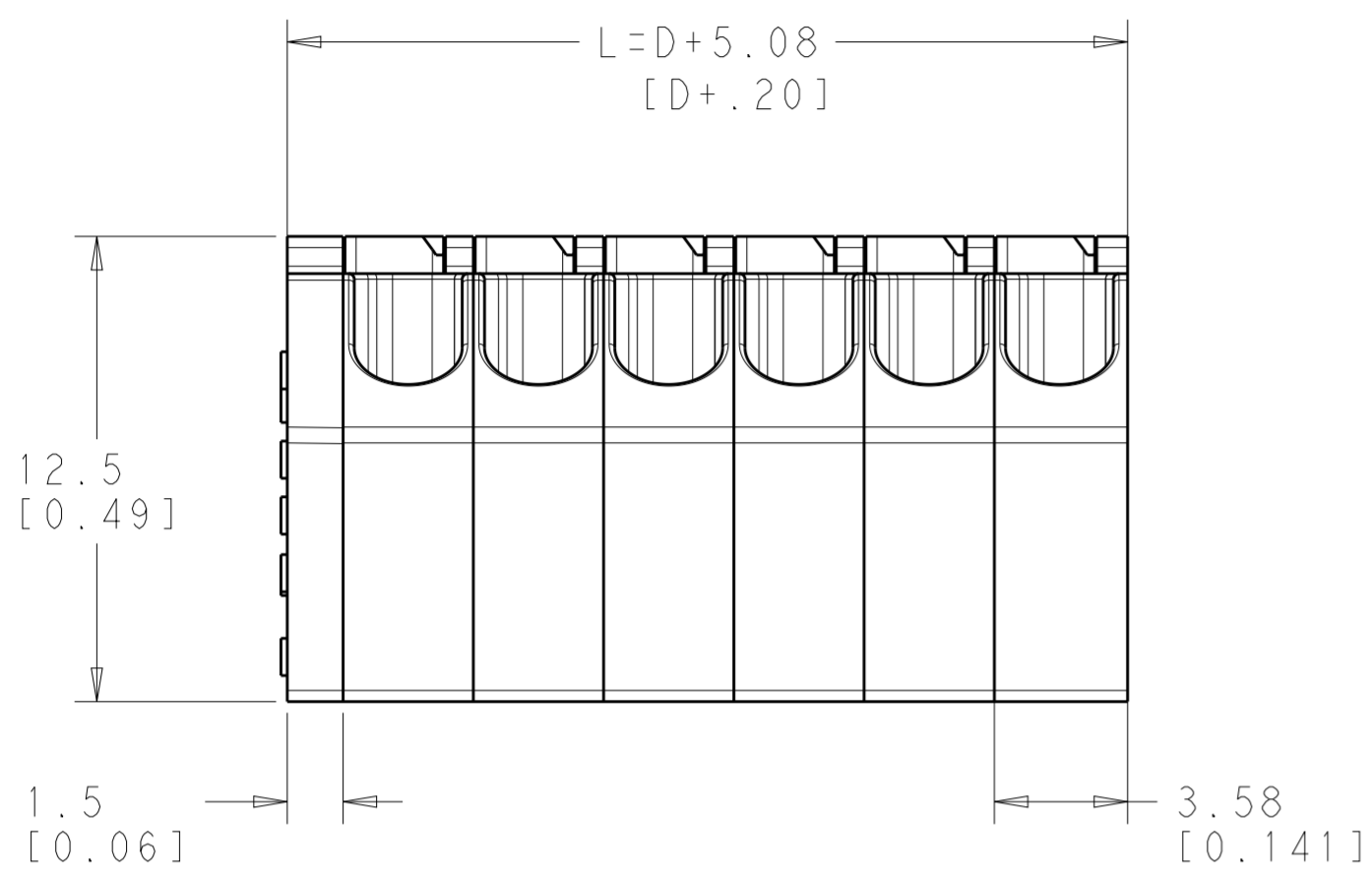


THIS DRAWING IS UNPUBLISHED. RELEASED FOR PUBLICATION 2011  
 © COPYRIGHT 2011 ALL RIGHTS RESERVED.

LOC	DIST	REVISIONS					
FT	0	P	LTR	DESCRIPTION	DATE	DWN	APVD
		A2		REVISED PER ECO-14-012607	28AUG2014	NK	MM



NOTE

MATERIALS:  
 HOUSING-POLYAMIDE, COLOR-GREEN  
 COVER-POLYAMIDE, COLOR-GREEN  
 LEVER-POLYAMIDE, COLOR-ORANGE  
 SPRING-STAINLESS STEEL-TIN PLATED

MECHANICAL  
 INSERTION FORCE-2.5 N/POLE  
 WITHDRAW FORCE-4.5 N/POLE  
 STRIP LENGTH-8.5 - 10 MM  
 OPERATING TEMPERATURE--40°C TO +110°C

ELECTRICAL  
 WIRE RANGE- 20 TO 16 AWG, SOLID OR STRANDED  
 VOLTAGE RATING- 150 VOLTS  
 CURRENT RATING-2 AMP  
 CONTACT RESISTANCE-15 MILLOHM MAX  
 INSULATION RESISTANCE-10<sup>9</sup> OHMS MIN (500V DC)

- 6 AS SHOWN

24.50	29.58	8	1986716-8
21.00	26.08	7	1986716-7
17.50	22.58	6	1986716-6
14.00	19.08	5	1986716-5
10.50	15.58	4	1986716-4
7.00	12.08	3	1986716-3
3.50	8.58	2	1986716-2
DIM D	DIM L	POS	PART NO

COVER

THIS DRAWING IS A CONTROLLED DOCUMENT.

DWN YASHKUMAR 09NOV2011	 TE Connectivity	NAME	
CHK SARVER MICHAEL 09NOV2011		NAME	
APVD SARVER MICHAEL 09NOV2011		NAME	
PRODUCT SPEC		NAME	
DIMENSIONS: MM [INCH]	APPLICATION SPEC		SIZE
TOLERANCES UNLESS OTHERWISE SPECIFIED:	WEIGHT		CAGE CODE
0 PLC ±	CUSTOMER DRAWING		DRAWING NO
1 PLC ±0.20[.008]	SCALE 5:1		RESTRICTED TO
2 PLC ±0.20[.008]	SHEET 1 OF 1		REV A2
3 PLC ±			
4 PLC ±			
ANGLES ±1°			
FINISH			

# Mouser Electronics

Authorized Distributor

Click to View Pricing, Inventory, Delivery & Lifecycle Information:

[TE Connectivity:](#)

[1986716-6](#)