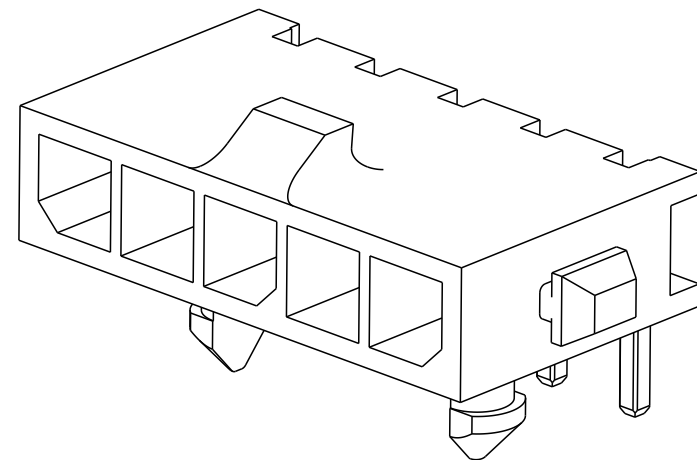
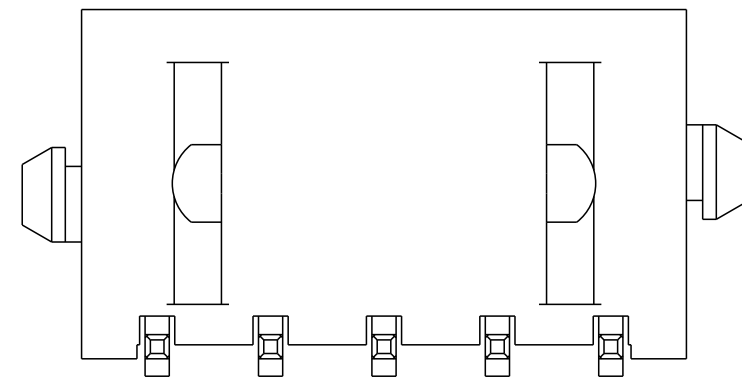
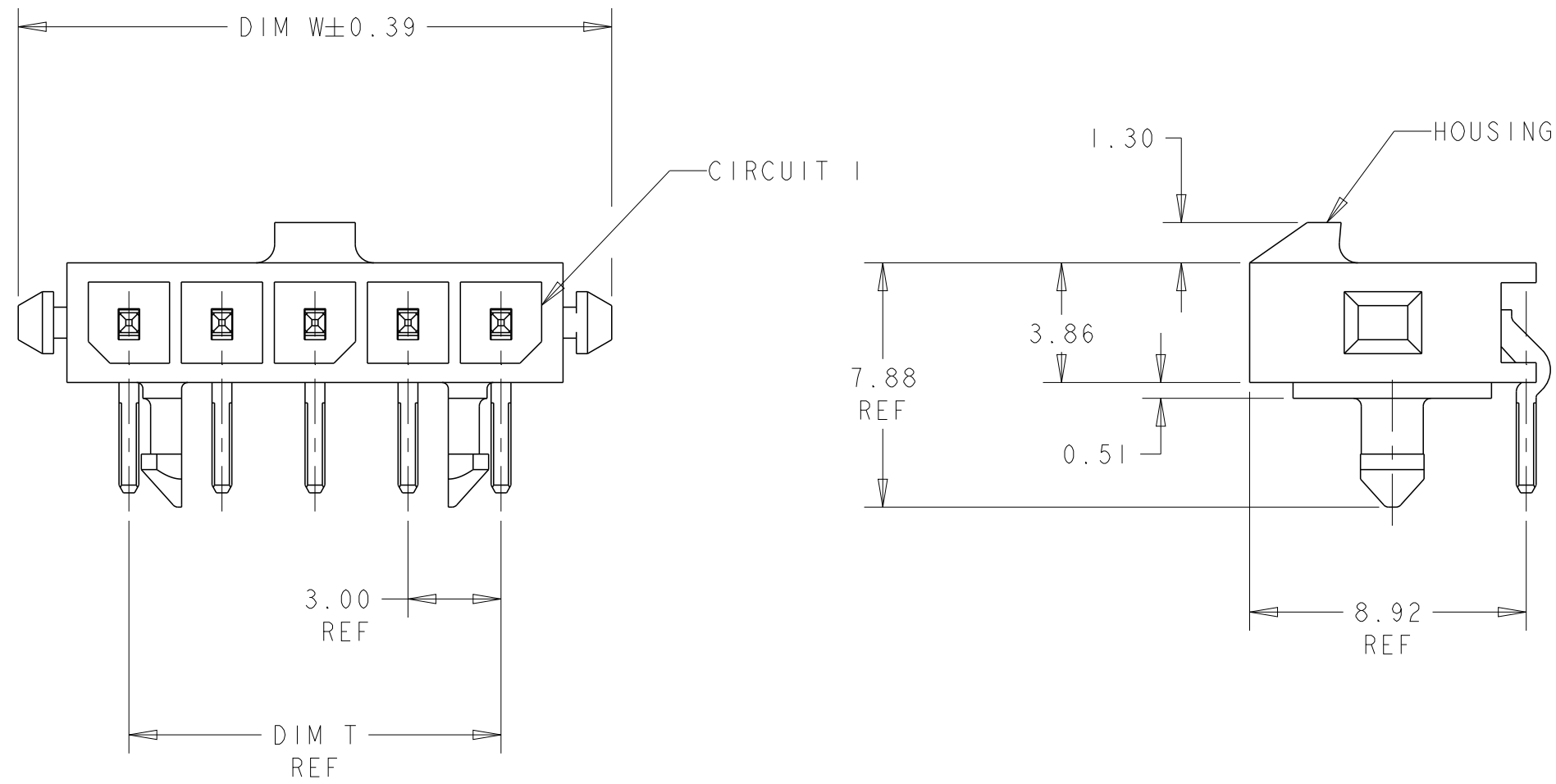


THIS DRAWING IS UNPUBLISHED. RELEASED FOR PUBLICATION 20
 © COPYRIGHT 20 BY - ALL RIGHTS RESERVED.

REVISIONS					
P	LTR	DESCRIPTION	DATE	DWN	APVD
	A3	REVISED PER ECR-16-011494	30MAY2017	NK	CX



- 1 MATERIAL: CONTACTS - BRASS
HOUSING - UL 94V-0 RATED HIGH TEMP NYLON, COLOR BLACK.
- 2 PLATING: CONTACTS - 0.76µm MINIMUM GOLD ON MATING END, 2.54µm MINIMUM TIN LEAD ON SOLDER TAILS, BOTH OVER 1.27µm MINIMUM NICKEL.
- 3 DATUMS AND BASIC DIMENSIONS ARE ESTABLISHED BY CUSTOMER.
- 4 RECOMMENDED PC BOARD THICKNESS OF 1.57.
- 5 PLATING: CONTACTS - 0.76µm MINIMUM GOLD ON MATING END, 2.54µm MINIMUM MATTE TIN ON SOLDER TAILS, BOTH OVER 1.27µm MINIMUM NICKEL.

5	33.00	28.70	33.00	40.14	12	3-1445098-2
5	30.00	25.70	30.00	37.14	11	3-1445098-1
5	27.00	22.70	27.00	34.14	10	3-1445098-0
5	24.00	19.70	24.00	31.14	9	2-1445098-9
5	21.00	16.70	21.00	28.14	8	2-1445098-8
5	18.00	13.70	18.00	25.14	7	2-1445098-7
5	15.00	10.70	15.00	22.14	6	2-1445098-6
5	12.00	7.70	12.00	19.14	5	2-1445098-5
5	9.00	4.70	9.00	16.14	4	2-1445098-4
5	-	-	6.00	13.14	3	2-1445098-3
5	-	-	3.00	10.14	2	2-1445098-2
SUPERCEDED BY 3-1445098-2						
2	33.00	28.70	33.00	40.14	12	1-1445098-2
SUPERCEDED BY 3-1445098-1						
2	30.00	25.70	30.00	37.14	11	1-1445098-1
SUPERCEDED BY 3-1445098-0						
2	27.00	22.70	27.00	34.14	10	1-1445098-0
SUPERCEDED BY 2-1445098-9						
2	24.00	19.70	24.00	31.14	9	1-1445098-9
SUPERCEDED BY 2-1445098-8						
2	21.00	16.70	21.00	28.14	8	1-1445098-8
SUPERCEDED BY 2-1445098-7						
2	18.00	13.70	18.00	25.14	7	1-1445098-7
SUPERCEDED BY 2-1445098-6						
2	15.00	10.70	15.00	22.14	6	1-1445098-6
SUPERCEDED BY 2-1445098-5						
2	12.00	7.70	12.00	19.14	5	1-1445098-5
SUPERCEDED BY 2-1445098-4						
2	9.00	4.70	9.00	16.14	4	1-1445098-4
SUPERCEDED BY 2-1445098-3						
2	-	-	6.00	13.14	3	1-1445098-3
SUPERCEDED BY 2-1445098-2						
2	-	-	3.00	10.14	2	1-1445098-2
FINISH	DIM Z	DIM V	DIM T	DIM W	NO. OF POSN	PART NUMBER

THIS DRAWING IS A CONTROLLED DOCUMENT. DWN J. ROOT 09OCT2000
 CHK K. WHITAKER 17-APR-2001
 APVD C. JONES 17-APR-2001

STE TE Connectivity

RIGHT ANGLE THRU HOLE HEADER ASSY, 0.76 MIC GOLD CONTACTS, W/PLASTIC™ HOLDDOWNS, SGL ROW, MICRO MATE-N-LOK

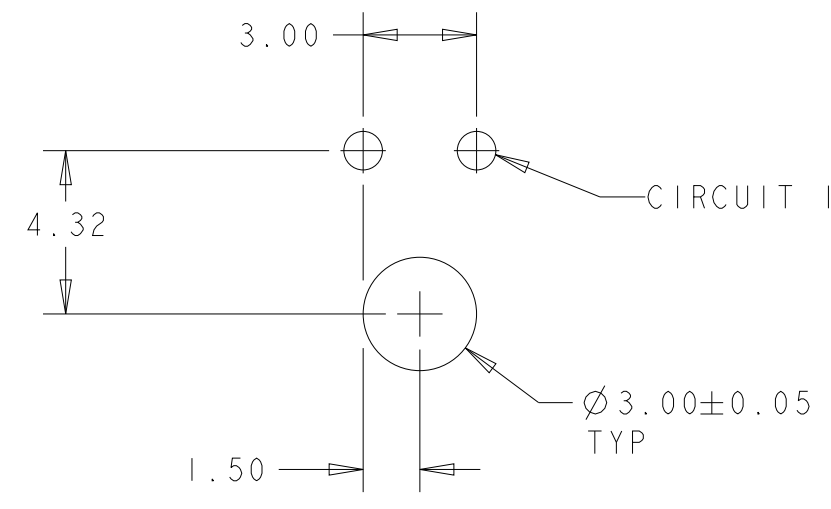
SIZE A2 CAGE CODE 00779 DRAWING NO. C-1445098 RESTRICTED TO

MATERIAL SEE TABLE FINISH WEIGHT - SCALE 5:1 SHEET 1 OF 2 REV A3

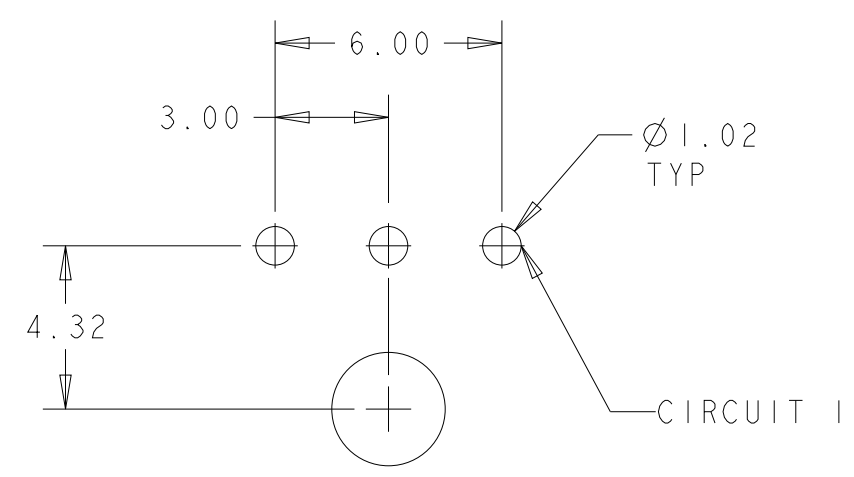
CUSTOMER DRAWING

THIS DRAWING IS UNPUBLISHED. RELEASED FOR PUBLICATION 20
 © COPYRIGHT 20 BY - ALL RIGHTS RESERVED.

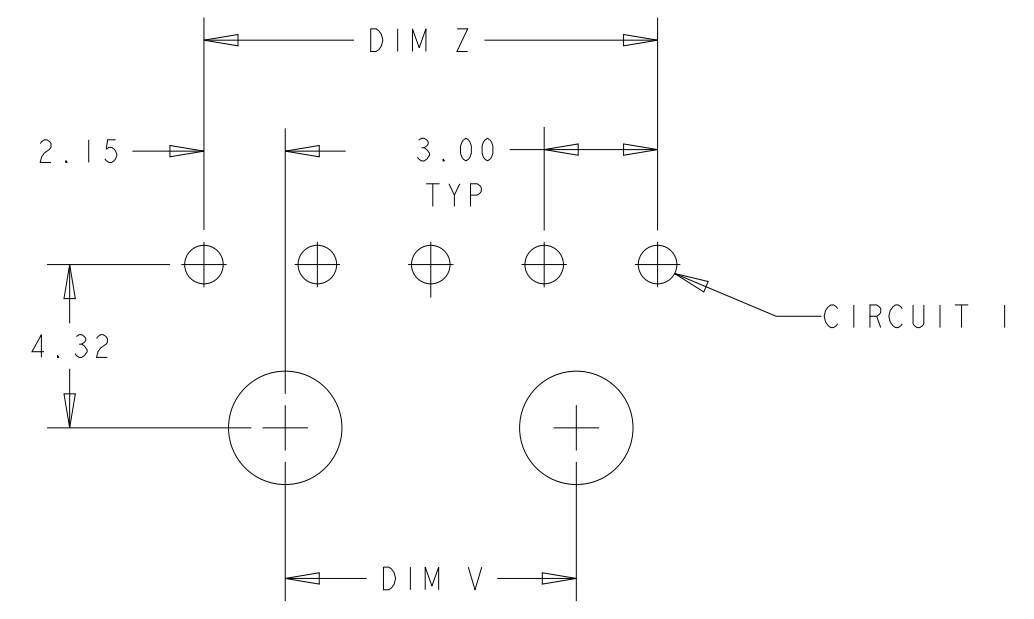
REVISIONS				
P	LTR	DESCRIPTION	DATE	APVD
-	-	SEE SHEET 1	-	-



PCB LAYOUT FOR 2 POSITION \triangle
 COMPONENT SIDE



PCB LAYOUT FOR 3 POSITION \triangle
 COMPONENT SIDE



PCB LAYOUT FOR 4-12 POSITION \triangle
 COMPONENT SIDE

THIS DRAWING IS A CONTROLLED DOCUMENT.		DWN J. ROOT 09OCT2000	TE Connectivity	
DIMENSIONS: mm		CHK K. WHITAKER 17-APR-2001		
TOLERANCES UNLESS OTHERWISE SPECIFIED:		APVD C. JONES 17-APR-2001	NAME RIGHT ANGLE THRU HOLE HEADER ASSY, 0.76 MIC GOLD CONTACTS, W/PLASTIC HOLDDOWNS, SGL ROW, MICRO MATE-N-LOK	
0 PLC ± 1 PLC ± 2 PLC ±0.13 3 PLC ± 4 PLC ± ANGLES ± FINISH		PRODUCT SPEC -	SIZE A2	CAGE CODE 00779
MATERIAL \triangle		APPLICATION SPEC -	DRAWING NO C-1445098	RESTRICTED TO -
SEE TABLE		WEIGHT -	SCALE 5:1 SHEET 2 OF 2 REV A3	
CUSTOMER DRAWING				

Mouser Electronics

Authorized Distributor

Click to View Pricing, Inventory, Delivery & Lifecycle Information:

[TE Connectivity:](#)

[2-1445098-2](#)