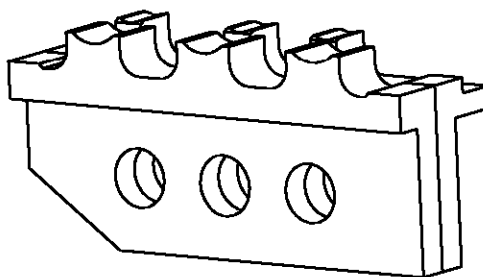
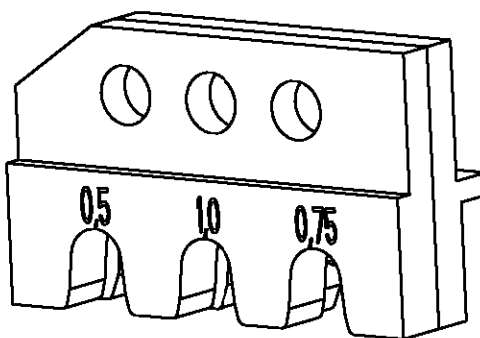


LOC	DIST	REVISIONS					
A1	-	P	LTR	DESCRIPTION	DATE	DWN	APVD
			A	new drawing	11FEB2002	-	-

Kontakt Contact	DGB (mm ²) Wire Range	Drahtcrimp/Wirecrimp		Isocrimp	Ins.-Ø Ins. Range	Dichtung Seal	Betriebsanl. Instr. Sheet
		Hoehe/Height	Breite/Width	Breite/Width			
967716 / 967722 / 968875	0.5	1.18	2.03	4.06	1.4-1.6	828904	411-18175
	0.75	1.27			1.7-1.9		
	1.0	1.36			1.9-2.1		



539726-2	1	1-539787-4	locator ass.	Positioniereinheit	A
	1	1-539786-7	contact guide	Kontaktabstuetzung	A
	1	1-519151-3	screw M4x25	Schraube M4x25	A
	1	1-519151-2	screw M4x20	Schraube M4x20	A
	1	0-519024-2	hex nut M4	Mutter M4 DIN 985	A
	1	0-519021-8	hex nut M4	Mutter M4 DIN 934	A
	QTY Stck	PN	Description	Benennung	REV

19

RELEASED FOR PUBLICATION

THIS DRAWING IS UNPUBLISHED.

BY TYCO ELECTRONICS CORPORATION. ALL RIGHTS RESERVED.

© COPYRIGHT 19

DIMENSIONS: mm-DIN 7168-m		DWN M.Heiss 19JAN2000	MATERIAL -	FINISH -
TOLERANCES UNLESS OTHERWISE SPECIFIED:		CHK U.Reuter 19JAN2000	AMP tyco Electronics AMP GmbH D - 64625 Bensheim	
0 PLC ± 1 PLC ± 2 PLC ± 3 PLC ± 4 PLC ± ANGLES ±		APVD -		
PRODUCT SPEC -		NAME ERGOCRIMP Die Set for MCP 2.8 mm (SWS) and 2.8 mm Sensor-Flattype Rec. (SWS)		
APPLICATION SPEC -		SIZE A4	CAGE CODE 00779	DRAWING NO C=539726-2
WEIGHT -		RESTRICTED TO -		
		CUSTOMER DRAWING		
		SCALE 2:1	SHEET 1	OF 1
		REV A		

Mouser Electronics

Authorized Distributor

Click to View Pricing, Inventory, Delivery & Lifecycle Information:

[TE Connectivity:](#)

[539726-2](#)