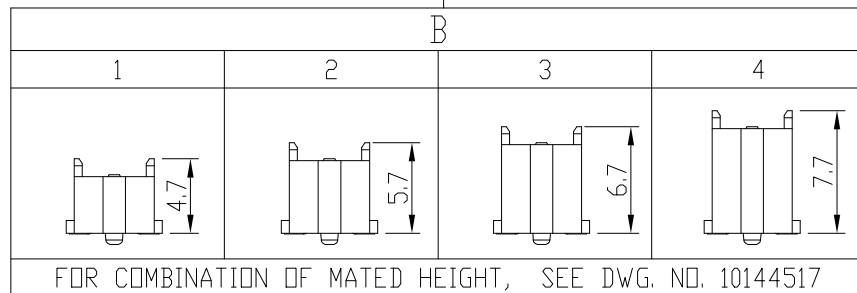


10144518- AA B C D E FF

AA	NO. OF POSITIONS
04	2X20
06	2X30
08	2X40
10	2X50

E	PACKAGING
2	T&R WITH METAL CAP
3	T&R WITHOUTL CAP

D	FEATURE	HOLD DOWN
0	YES	NO
2	NO	NO



C	PLATING	FF
8	GOLD FLASH ON CONTACT AREA ; PURE MATT TIN 2.5um MIN ON SOLDER TAIL; NICKEL UNDERPLATE OVERALL 1.27um. (LEADFREE PLATING)	LF

NOTE:

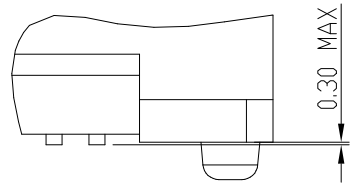
- MATERIAL:
HOUSING: G.F. LCP, NATURAL, UL94-V0
TERMINAL: COPPER ALLOY
- PLATING: AS SHOWN IN TABLE.
- SEE GS-12-1424 FOR PRODUCT SPEC.
- THIS PRODUCT MEETS THE EUROPEAN UNION DIRECTIVES AND OTHER COUNTRY REGULATIONS AS DESCRIBED IN GS-22-008.
- THE HOUSING WILL WITHSTAND EXPOSURE UP TO 260~ PEAK TEMPERATURE FOR 30 SECONDS IN A CONVECTION, INFRA-RED OR VAPOR PHASE REFLOW OVEN.

Amphenol FCI

© 2016 AFCI

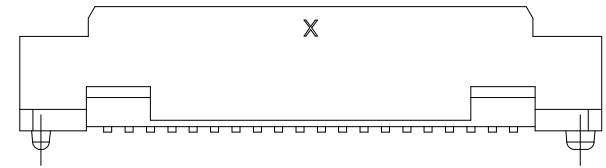
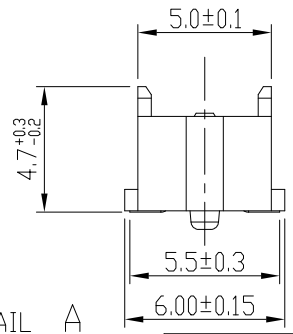
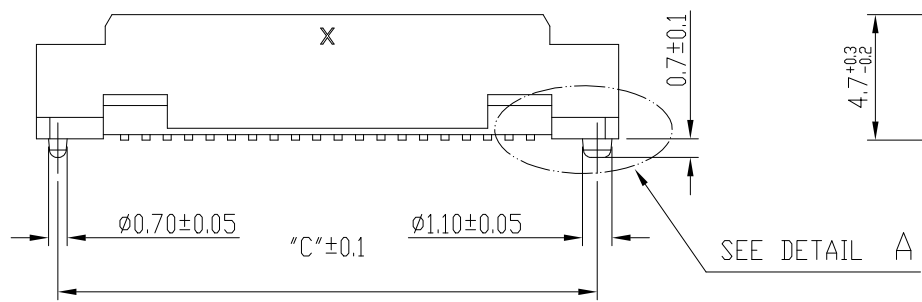
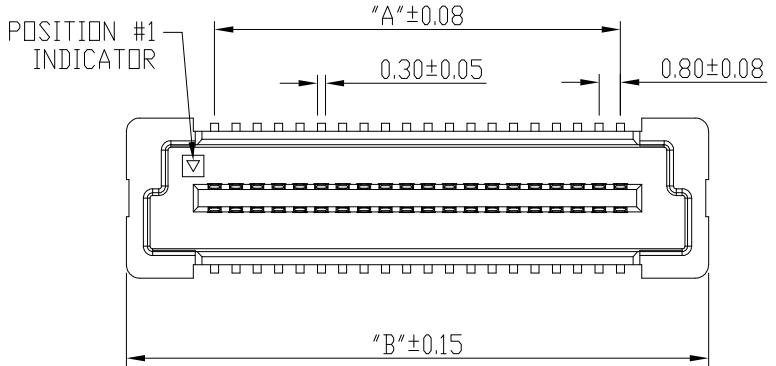
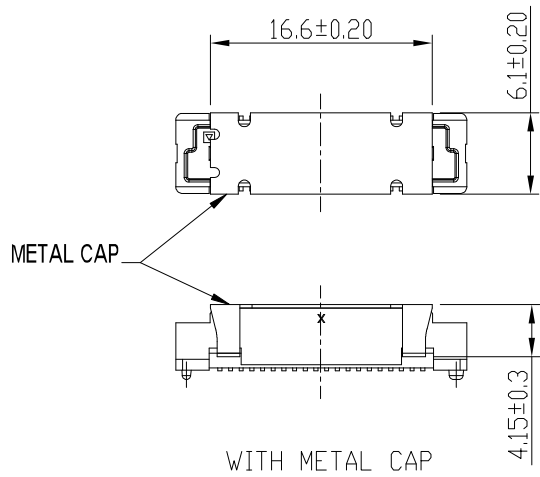
mat'l. code		surface ISO 1302 ✓		tolerance ISO 406 ISO 1101		projection 110°		product family BERGSTAK	
ltr		ecn no		dr		date		title	
A		Bob		07/05/16		07/05/17		PLUG ASSY	
B		ELX-N-28149		Bob		10/13/17		BERGSTAK 0.8MM	
				angles		linear		mm	
				0°±3'		.00±.10		scale 1:1	
				dr		Bob Gu		07/05/17	
				engr		Bob Gu		07/05/17	
				chr		LQ Lei		07/05/17	
				appd		Tim Yao		07/05/17	
sheet index		revision sheet		A 1~6		B 1~6		dwg no 10144518	
								sheet 1 of 6	
								size A3	
								type Product Customer Drawing	

PRODUCT NO.	NO. OF POSITION	DIMENSION		
		A	B	C
10144518-041***	2X20	15.2	21.8	20.2
10144518-061***	2X30	23.2	29.8	28.2
10144518-081***	2X40	31.2	37.8	36.2
10144518-101***	2X50	39.2	45.8	44.2



COPLANARITY OF TAIL:
0.10 MAX. APPLIED TO 2X20 TO 2X50 PDS

DETAIL A
SCALE 10:1



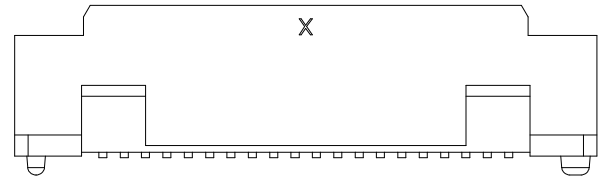
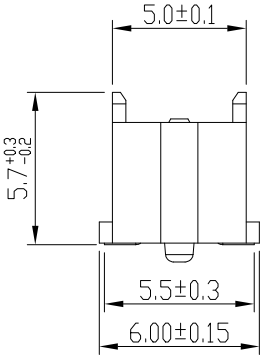
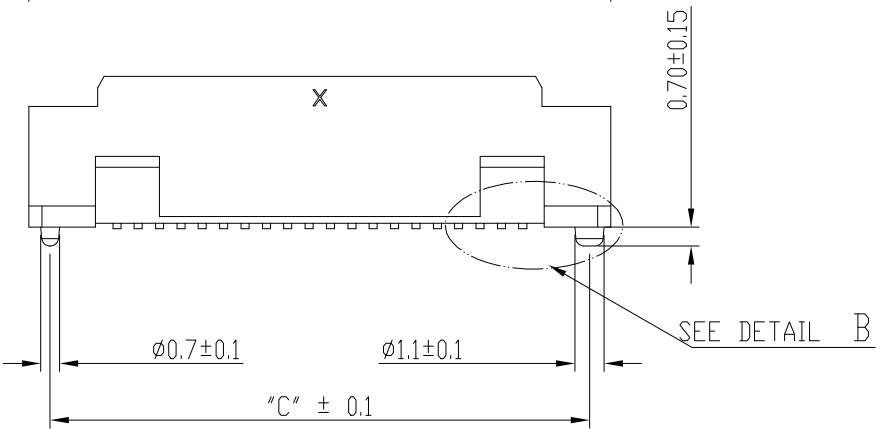
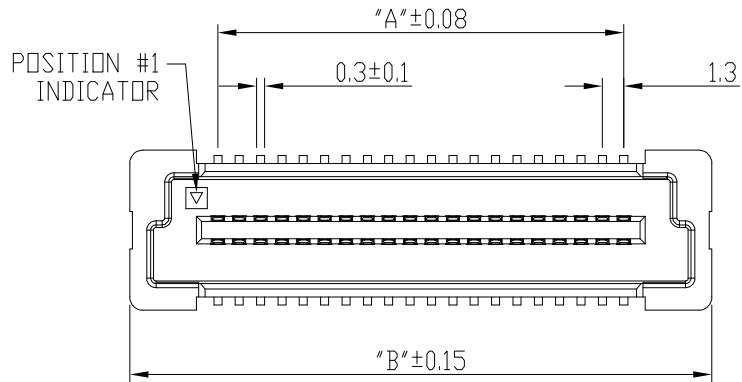
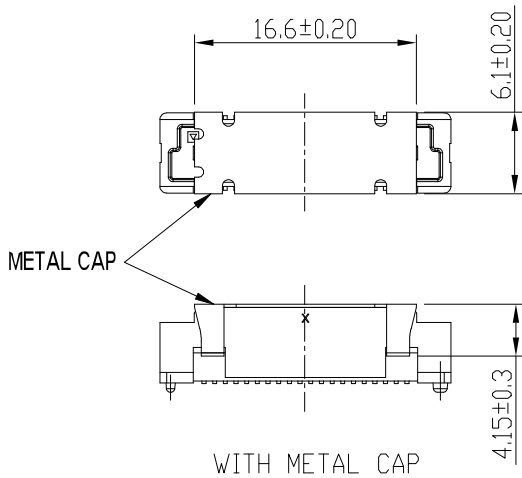
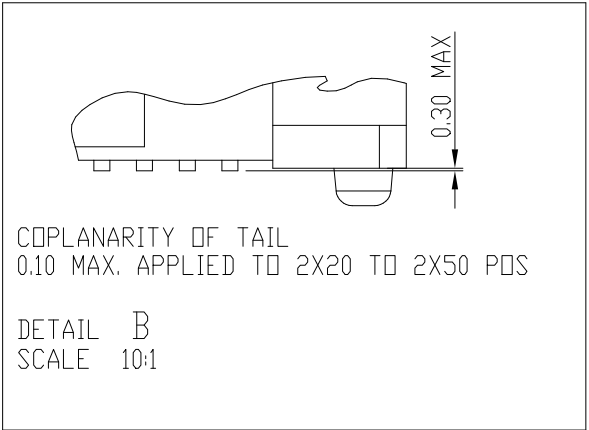
PLUG 1

mat'l. code		surface ISO 1302 ✓	tolerance ISO 406 ISO 1101	projection	product family
ltr	ecn no	dr	date	tolerances unless otherwise specified	BERGSTAK
B				mm	title
				scale 1:1	PLUG ASSY BERGSTAK 0.8MM
					dwg no
					10144518
					sheet 2 of 6
					size
					A3
					type
					Product Customer Drawing
sheet index	revision sheet	A 1~6	B 1~6		

Amphenol FCI

© 2016 AFCI

PRODUCT NO.	NO. OF POSITION	DIMENSION		
		A	B	C
10144518-042***	2X20	15.2	21.8	20.2
10144518-062***	2X30	23.2	29.8	28.2
10144518-082***	2X40	31.2	37.8	36.2
10144518-102***	2X50	39.2	45.8	44.2



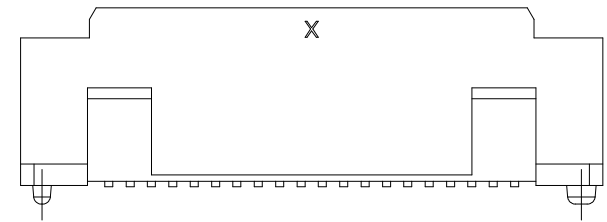
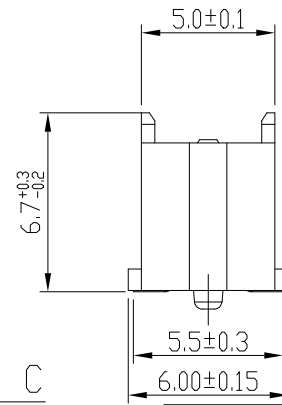
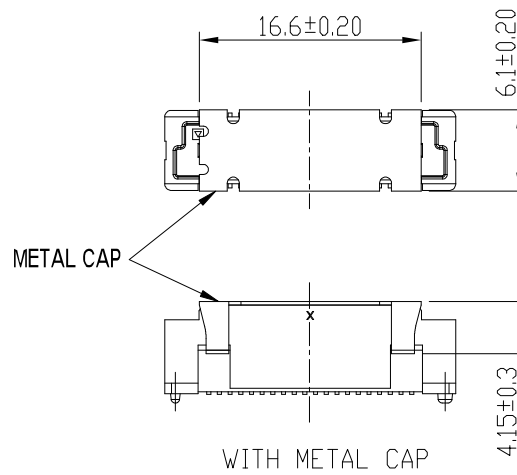
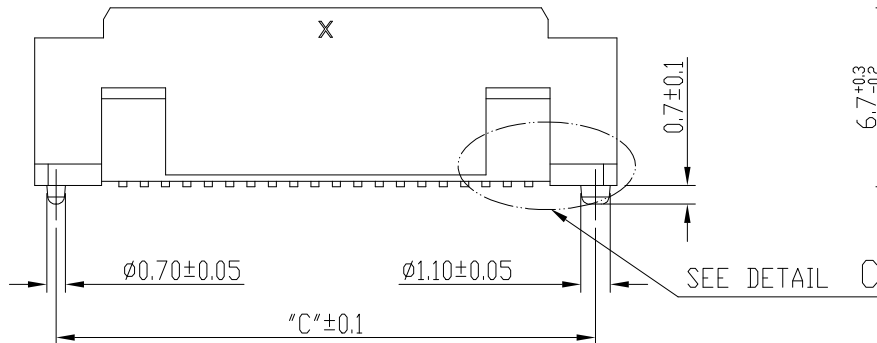
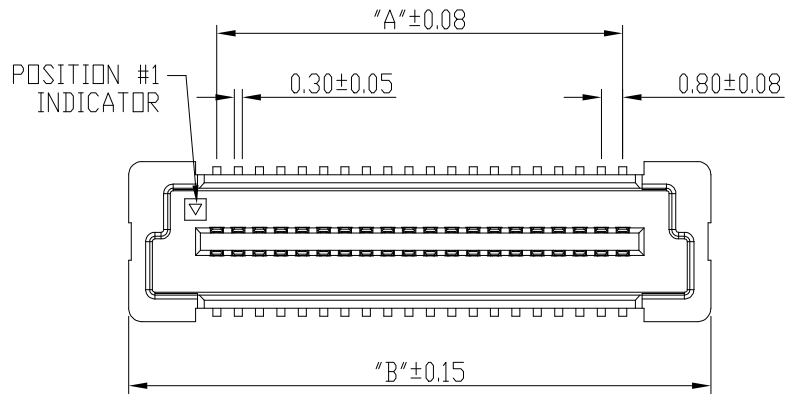
PLUG 2

mat'l. code		surface ISO 1302 ✓	tolerance ISO 406 ISO 1101	projection	product family
ltr	ecn no	dr	date	tolerances unless otherwise specified	BERGSTAK
B				angles linear	title
				0°±3'	PLUG ASSY
					BERGSTAK 0.8MM
				dr Bob Gu 07/05/17	dwg no
				engr Bob Gu 07/05/17	sheet 3 of 6
				chr LQ Lei 07/05/17	size
				appd Tim Yao 07/05/17	A3
sheet index	revision sheet	A 1~6	B 1~6	Amphenol FCI	type Product Customer Drawing

Amphenol FCI

© 2016 AFCI

PRODUCT NO.	NO. OF POSITION	DIMENSION		
		A	B	C
10144518-043***	2X20	15.2	21.8	20.2
10144518-063***	2X30	23.2	29.8	28.2
10144518-083***	2X40	31.2	37.8	36.2
10144518-103***	2X50	39.2	45.8	44.2



COPLANARITY OF TAIL:
0.10 MAX. APPLIED TO 2X20 TO 2X50
PDS

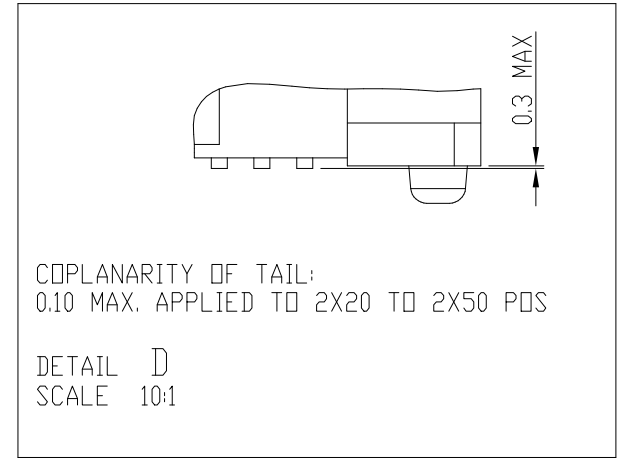
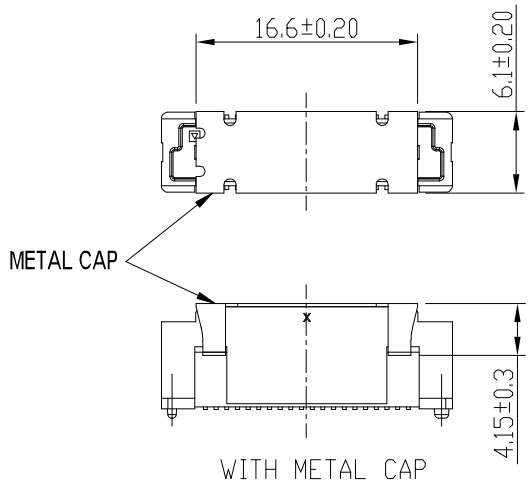
DETAIL C
SCALE 10:1

PLUG 3

mat'l. code		surface ISO 1302 ✓		tolerance ISO 406 ISO 1101		projection		product family	
ltr		ecn no		dr		date		BERGSTAK	
B								title	
								PLUG ASSY	
								BERGSTAK 0.8MM	
								dwg no	
								sheet 4 of 6	
								size	
								A3	
								type	
								Product Customer Drawing	
sheet index		revision sheet		A B		1~6 1~6			

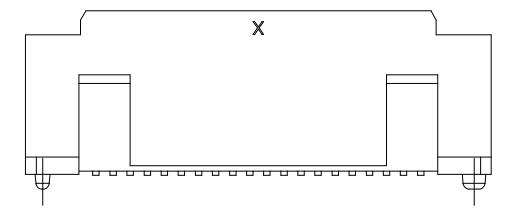
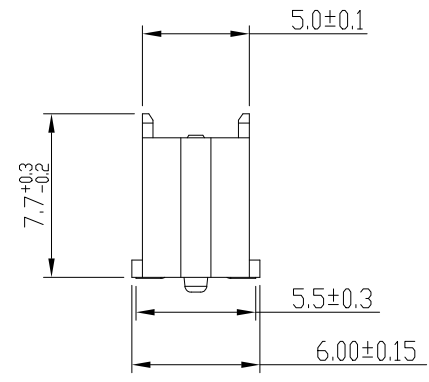
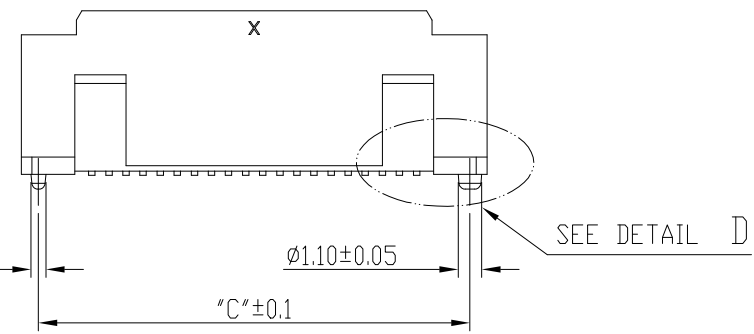
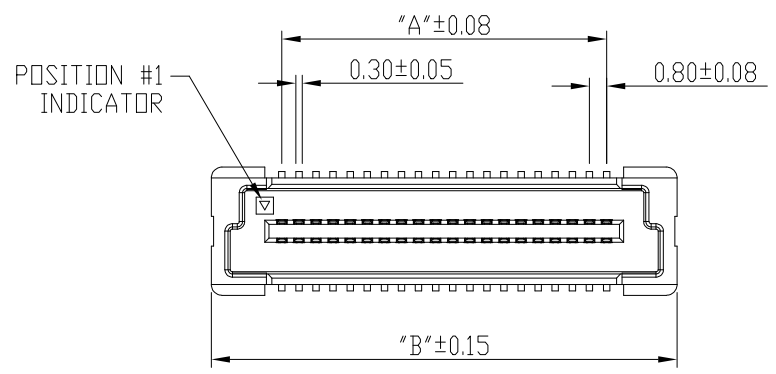
Amphenol FCI
© 2016 AFCI

PRODUCT NO.	NO. OF POSITION	DIMENSION		
		A	B	C
10144518-044***	2X20	15.2	21.8	20.2
10144518-064***	2X30	23.2	29.8	28.2
10144518-084***	2X40	31.2	37.8	36.2
10144518-104***	2X50	39.2	45.8	44.2



COPLANARITY OF TAIL:
0.10 MAX. APPLIED TO 2X20 TO 2X50 POS

DETAIL D
SCALE 10:1



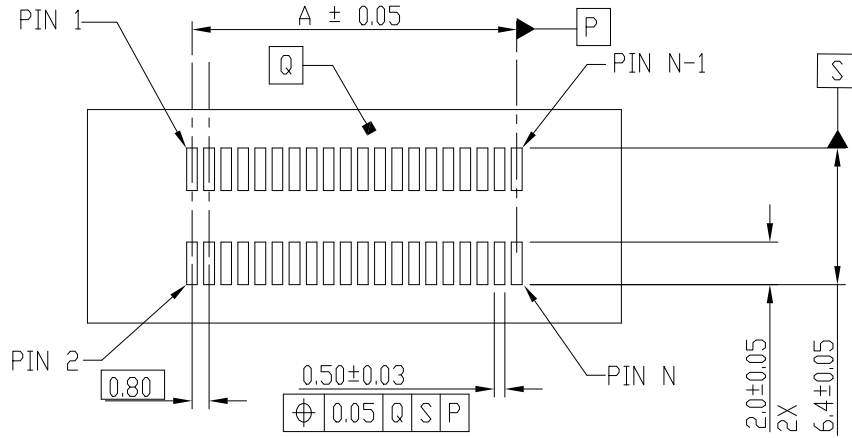
SEE DETAIL DD

PLUG 4

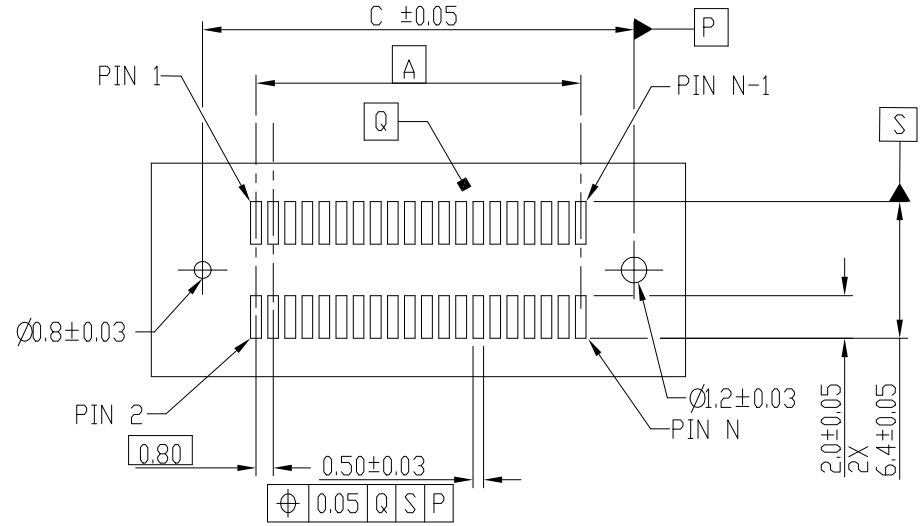
mat'l. code		surface ISO 1302 ✓	tolerance ISO 406 ISO 1101	projection	product family
ltr		tolerances unless otherwise specified		mm	BERGSTAK
B	ecn no	dr	date	linear	title
				0°±3'	PLUG ASSY
				.0±.2	BERGSTAK 0.8MM
				.00±.15	dwg no
				.000±.10	sheet 5 of 6
				scale 1:1	size
		dr	Bob Gu	07/05/17	A3
		engr	Bob Gu	07/05/17	
		chr	LQ Lei	07/05/17	
		appd	Tim Yao	07/05/17	
Amphenol FCI	type		Product Customer Drawing		
sheet index	revision sheet	A 1~6	B 1~6		

Amphenol FCI
 © 2016 AFCI
 form: A3-2016-02-24

FOR PLUG 1/2/3/4



RECOMMENDED PCB LAYOUT WITHOUT PEG AND HOLDDOWN FOR
NO. OF PDS 2X20, 2X30, 2X40, 2X50



RECOMMENDED PCB LAYOUT WITH PEG FOR
NO. OF PDS 2X20, 2X30, 2X40, 2X50

Amphenol
FCI

© 2016 AFCI

mat'l. code		surface ISO 1302 <input checked="" type="checkbox"/>		tolerance ISO 406 ISO 1101		projection		product family BERGSTAK	
ltr	ecn no	dr	date	tolerances unless otherwise specified		title		sheet 6 of 6	
B				angles	linear	mm		size	
				0°±3'	.0±.2 .00±.15 .000±.10	scale 1:1		A3	
		dr	Bob Gu	07/05/17			dwg no		
		enr	Bob Gu	07/05/17			10144518		
		chr	LQ Lei	07/05/17			Product Customer Drawing		
		appd	Tim Yao	07/05/17					
sheet index	revision sheet	A	B	1~6	1~6				

Mouser Electronics

Authorized Distributor

Click to View Pricing, Inventory, Delivery & Lifecycle Information:

[FCI / Amphenol:](#)

[10144518-081802LF](#) [10144518-062802LF](#) [10144518-043802LF](#) [10144518-041802LF](#) [10144518-104802LF](#)
[10144518-084802LF](#) [10144518-102802LF](#) [10144518-101802LF](#) [10144518-083802LF](#) [10144518-042802LF](#)
[10144518-063802LF](#) [10144518-082802LF](#) [10144518-103802LF](#) [10144518-064802LF](#) [10144518-061802LF](#)
[10144518-044802LF](#) [10144518-121802LF](#) [10144518-101822LF](#) [10144518-081822LF](#)