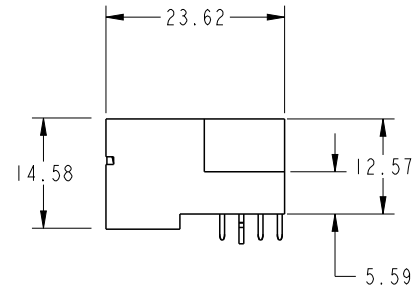
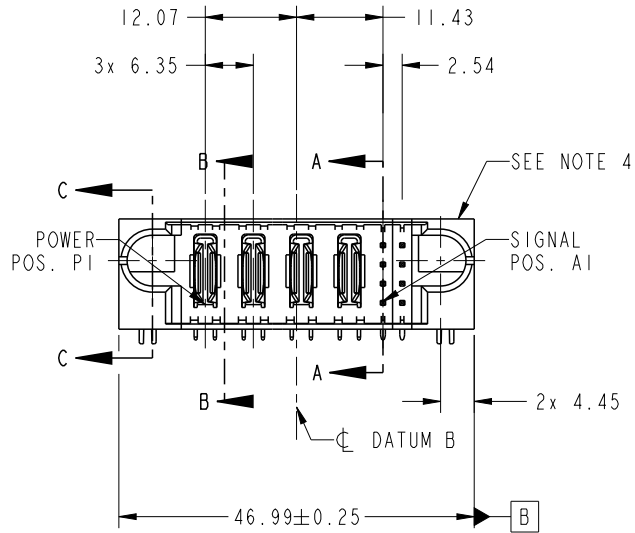


PRODUCT NO.	ROWS	POWER SIGNAL									
		E1	P1	P2	P3	P4	1	2	E2		
51732-089-- NOTE 3	DCBA										



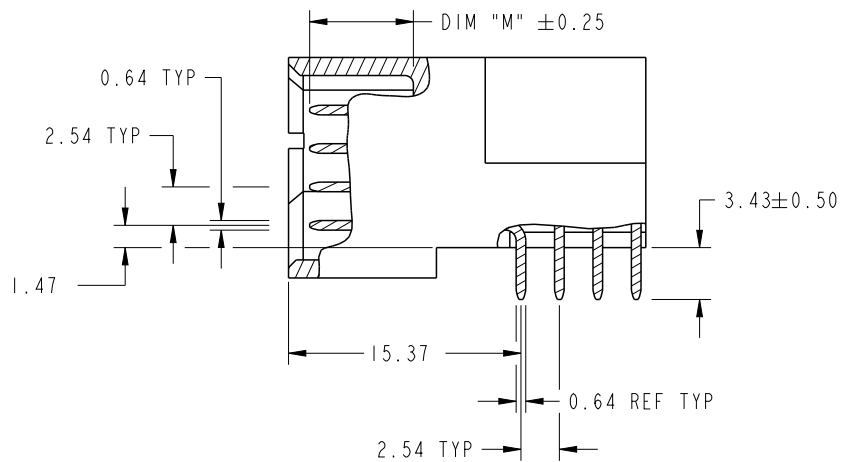
CODE	DIM "M" MATING LENGTH	CONTACT TYPE
U	[6.86]	SIGNAL
T	[6.86]	SIGNAL
S	[6.86]	SIGNAL
R	[6.86]	SIGNAL
H	[5.59]	SIGNAL
G	[5.59]	SIGNAL
F	[5.59]	SIGNAL
E	[5.59]	SIGNAL
PA	[N/A]	POWER
HA	[N/A]	HOLD-DOWN

spec ref	*	dr	De-Ming Lu	2014/11/18	projection	MM	size	A4	scale	1:1
tolerance std	TOLERANCES UNLESS OTHERWISE SPECIFIED	eng	De-Ming Lu	2014/11/25			ecn no	-	rel level	Released
ASME Y14.5		chr	-	-						
surface	linear	appr	Pei-Ming Zheng	2014/11/25	product family	PwrBlade		rev		
ASME Y14.5		angular	0°	±2°	www.fci.com	title	4P + 8S		51732-089	A
				cat. no.	-	Product - Customer Drw		sheet 1 of 4		

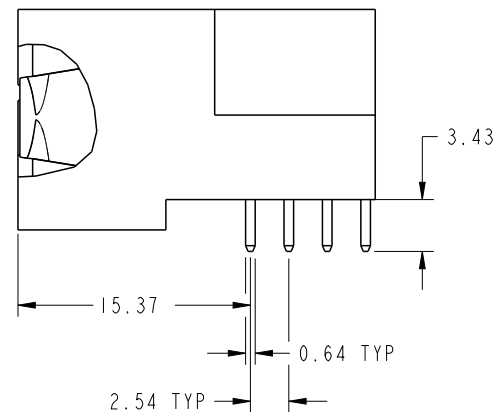
PrdE File - REV C - 2009-06-09

PRODUCT NUMBER

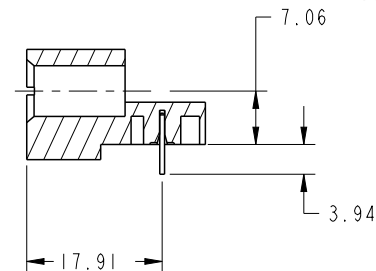
51732-089--
NOTE: 3



BROKEN-OUT SECTION A-A
SCALE 2:1



BROKEN-OUT SECTION B-B
SCALE 2:1

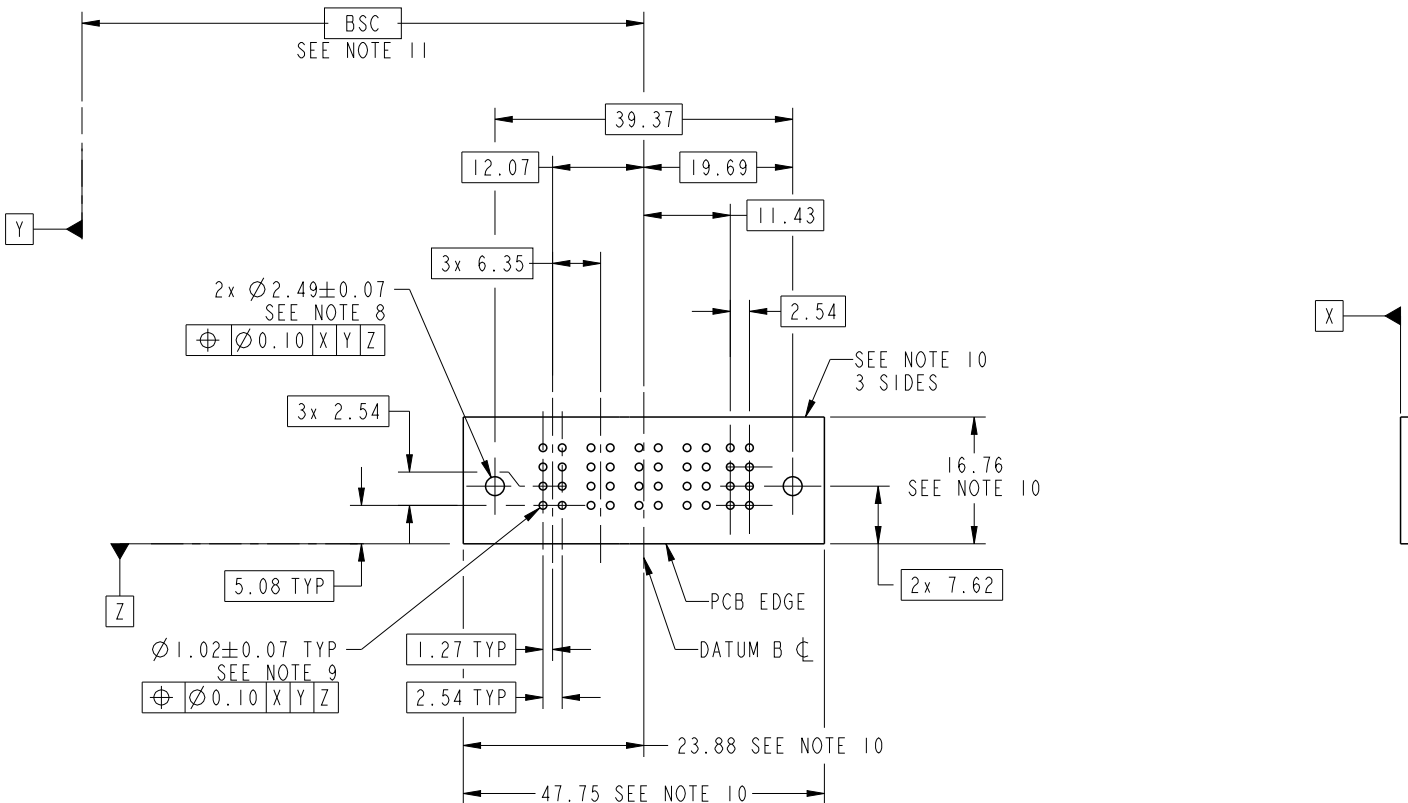


SECTION C-C

dr	De-Ming Lu	2014/11/18	projection 	MM 	size	A4	scale	1:1
eng	De-Ming Lu	2014/11/25			ecn no	-		
chr	-	-			rel level	Released		
appr	Pei-Ming Zheng	2014/11/25	product family	PwrBlade	rev	A		
		title	4P + 8S RIGHT ANGLE SOLDER HEADER		dwg no	51732-089		
www.fci.com	cat. no.	-	Product - Customer Drw	sheet 2 of 4				

PRODUCT NUMBER

51732-089_
NOTE: 3



RECOMMENDED PCB LAYOUT

dr	De-Ming Lu	2014/11/18	projection 	MM 	size	A4	scale	1:1
eng	De-Ming Lu	2014/11/25			ecn no	-		
chr	-	-			rel level	Released		
appr	Pei-Ming Zheng	2014/11/25	product family	PwrBlade	rev	A		
		title 4P + 8S RIGHT ANGLE SOLDER HEADER	dwg no 51732-089	www.fci.com	cat. no.	Product - Customer Drw	sheet 3 of 4	

PRODUCT NUMBER

51732-089--
NOTE: 3

NOTES:

1. DIMENSIONS AND TOLERANCES ARE IN ACCORDANCE WITH ASME Y14.5M, 1994 UNLESS OTHERWISE SPECIFIED.

CONNECTOR NOTES:

- 2. HOUSING MATERIAL: UL 94 V-0 GLASS FILLED HIGH-TEMP THERMOPLASTIC
POWER CONTACT MATERIAL: COPPER ALLOY
SIGNAL PIN MATERIAL: COPPER ALLOY
- 3. SEE ITEM 1 & 2 IN PRINT 10064183 FOR PLATING SPEC OF 51732-089 AND 51732-089LF RESPECTIVELY.
- 4. MANUFACTURER'S NAME, DATE CODE AND OPTIONAL P/N TO APPEAR ON THIS SURFACE. THE MARK CAN BE OMITTED IF THERE IS NOT ENOUGH SPACE ON THIS SURFACE.
- 5. PRODUCT SPECIFICATION GS-12-149.
APPLICATION SPECIFICATION BUS-20-067.
- 6. PACKAGED IN TRAYS.

PCB NOTES:

- 7. ALL HOLE DIAMETERS ARE FINISHED HOLE SIZE.
- 8. MOUNTING HOLES, WHERE APPLICABLE, ARE UNPLATED.
- 9. $\varnothing 1.151 \pm 0.025$ DRILLED HOLES PLATED WITH
0.008 MIN SnPb OR Sn OVER 0.03
TO 0.08 Cu PLATING TO ACHIEVE
 $\varnothing 1.02 \pm 0.07$ HOLE.
- 10. CONNECTOR KEEP-OUT ZONE.
- 11. DATUM AND BASIC DIMENSIONS ARE ESTABLISHED BY CUSTOMER.

dr	De-Ming Lu	2014/11/18	projection 	MM 	size	A4	scale	1:1	
eng	De-Ming Lu	2014/11/25			ecn no	-			
chr	-	-							
appr	Pei-Ming Zheng	2014/11/25	product family	PwrBlade	rel level	Released			
		title	4P + 8S RIGHT ANGLE SOLDER HEADER		dwg no	51732-089		rev	A
www.fci.com		cat. no.	-		Product - Customer Drw			sheet 4 of 4	



Copyright FCI.

Mouser Electronics

Authorized Distributor

Click to View Pricing, Inventory, Delivery & Lifecycle Information:

[FCI / Amphenol:](#)

[51732-089LF](#)