



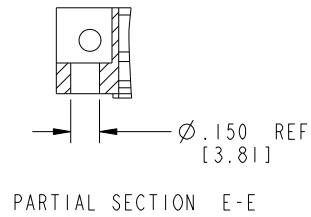
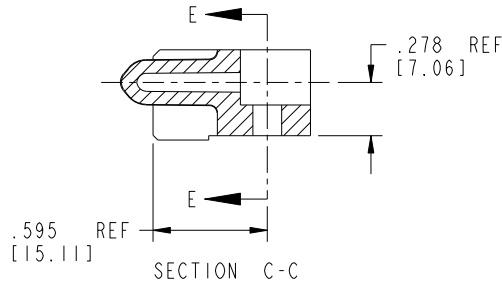
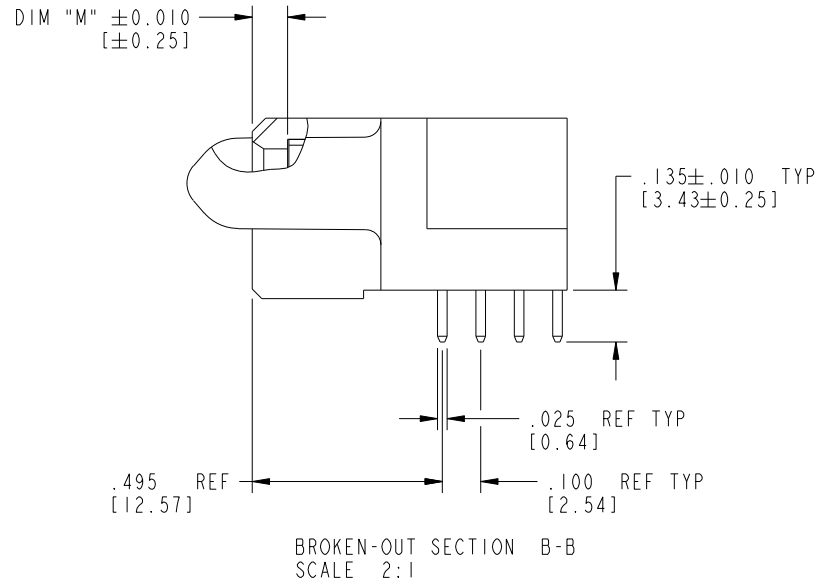
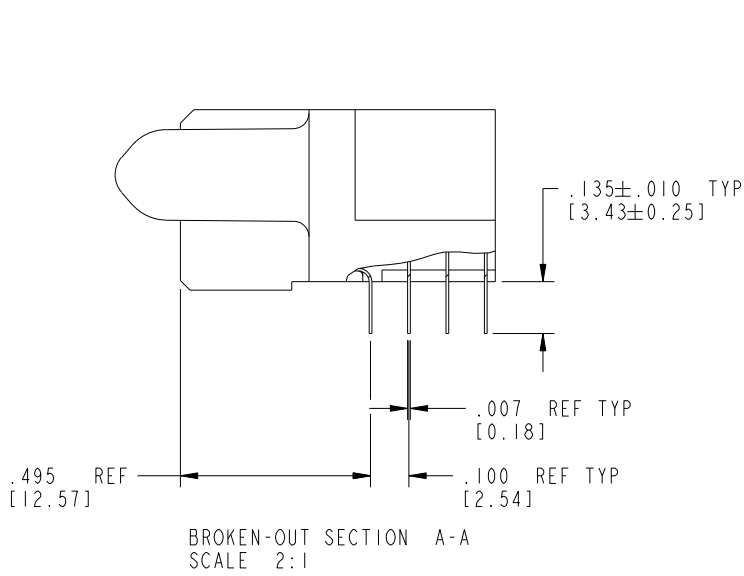
Tous droits strictement réservés. Reproduction ou communication a des tiers interdite sous quelque forme que ce soit sans autorisation écrite du propriétaire. Propriété de c FCI. Droits de reproduction FCI.

All rights strictly reserved. Reproduction or issue to third parties in any form whatever is not permitted without written authority from the proprietor. Property of FCI. Copyright FCI.



PRODUCT NUMBER

51866-025--  
NOTE: ③



mat'l code		SEE NOTE 2		tolerances unless otherwise specified		CUSTOMER		FCI	
ltr	ecn no.	dr	date	linear	.XX±.01/0.X±0.3	COPY		www.fciconnect.com	
E				projection	.XXY±.005/0.XX±0.13	⊕		title	
				angles	.XXX±.002/0.XXX±0.051	INCH/MM		9P + 24S	
				dr	T. BRUNGARD 02/17/04	1:1		R/A SOLDER RECEPTACLE	
				enrg	M. GRAY 02/17/04			product family	
				chr	M. GRAY 02/17/04			PwrBlade	
				appd	M. GRAY 02/17/04			code	
sheet index		revision sheet						size	
								dwg no	
								A 51866-025	
								sheet	
								2 of 4	

cage code 2856

Pro/E

PDM: Rev: E

STATUS: Released

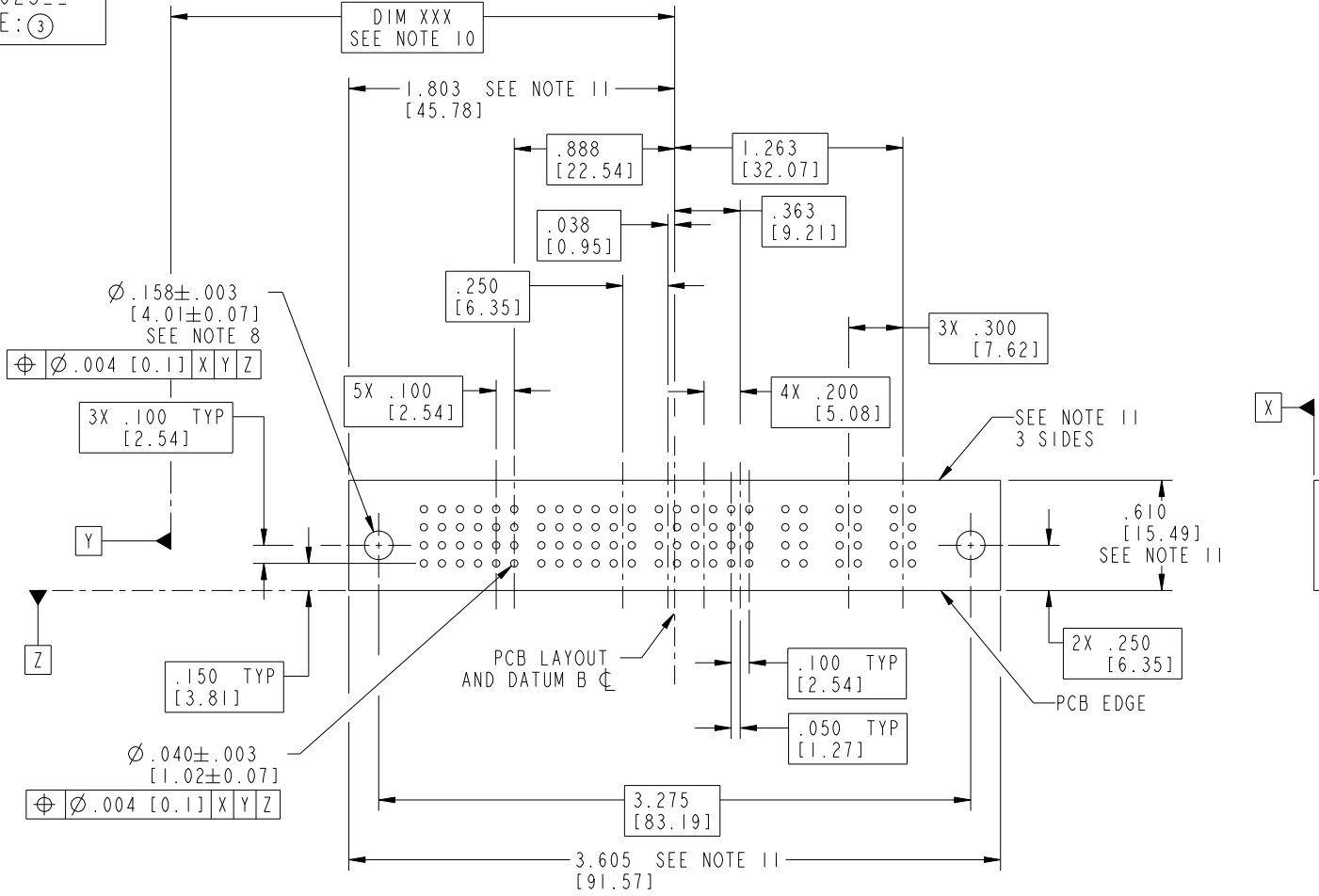
Printed: Dec 20, 2010

Tous droits strictement réservés. Reproduction ou communication a des tiers interdite sous quelque forme que ce soit sans autorisation écrite du propriétaire. Propriété de c FCI. Droits de reproduction FCI.

All rights strictly reserved. Reproduction or issue to third parties in any form whatever is not permitted without written authority from the proprietor. Property of FCI. Copyright FCI.



PRODUCT NUMBER  
51866-025--  
NOTE: ③



RECOMMENDED PCB LAYOUT

mat'l code		SEE NOTE 2		tolerances unless otherwise specified		CUSTOMER		 www.fciconnect.com	
ltr	ecn no.	dr	date	linear	.XX±.01/0.X±0.3	COPY		title	
E				angles	.XXY±.005/0.XX±0.13	projection		9P + 24S	
					.XXX±.0020/0.XXX±0.051			R/A SOLDER RECEPTACLE	
				dr	0°±2°	INCH/MM		product family	
				engr	T. BRUNGARD 02/17/04	scale		PwrBlade	
				chr	M. GRAY 02/17/04	1:1		code	
				appd	M. GRAY 02/17/04			213	
sheet index		revision sheet						size	
								dwg no	
								A 51866-025	
								sheet	
								3 of 4	

cage code 22516

Pro/E

PDM: Rev: E

STATUS: Released

Printed: Dec 20, 2010

PRODUCT NUMBER  
 51866-025--  
 NOTE: ③

NOTES:

1. DIMENSIONS AND TOLERANCES ARE IN ACCORDANCE WITH ASME Y14.5M, 1994 UNLESS OTHERWISE SPECIFIED.

CONNECTOR NOTES:

2. HOUSING MATERIAL: UL 94 V-0 GLASS FILLED HIGH-TEMP THERMOPLASTIC  
 POWER CONTACT MATERIAL: COPPER ALLOY  
 SIGNAL PIN MATERIAL: COPPER ALLOY

 3. SEE ITEM 5 & 6 IN PRINT 10064183 FOR PLATING SPEC OF 51866-025 AND 51866-025LF RESPECTIVELY.

4. MANUFACTURER'S NAME, P/N, AND DATE CODE TO APPEAR ON THIS SURFACE.

5. PRODUCT SPECIFICATION GS-12-149.  
 APPLICATION SPECIFICATION BUS-20-067.

6. PACKAGED IN TRAYS.

PCB NOTES:


7. ALL HOLE DIAMETERS ARE FINISHED HOLE SIZE.


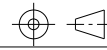
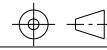
8. MOUNTING HOLES, WHERE APPLICABLE, ARE UNPLATED.

9.  $\varnothing .0453 \pm .0010$  [1.151 $\pm$ 0.025] DRILLED HOLES PLATED WITH  
 .0003 [0.008] MIN SnPb OVER .001 [0.03]  
 TO .003 [0.08] Cu PLATING TO ACHIEVE  
 $\varnothing .040 \pm .003$  [1.02 $\pm$ .07] HOLE.

10. "DIM XXX" TO BE DETERMINED BY THE CUSTOMER.

11. CONNECTOR KEEP-OUT ZONE.

12.  SYMBOL WILL BE NEXT TO ANY DIMENSION, VIEW, OR NOTE WHICH HAS BEEN MODIFIED  
 WITH THE CURRENT DRAWING REVISION.

mat'l code		SEE NOTE 2		tolerances unless otherwise specified		CUSTOMER			
ltr	ecn no.	dr	date	linear	.XX $\pm$ .01/0.X $\pm$ 0.3	COPY		www.fciconnect.com	
E				projection	.XXX $\pm$ .005/0.XX $\pm$ 0.13			title	
				angles	.XXX $\pm$ .0020/0.XXX $\pm$ 0.051			9P + 24S	
				dr	0 $^{\circ}$ + 2 $^{\circ}$	INCH/MM		R/A SOLDER RECEPTACLE	
				enr	T. BRUNGARD 02/17/04	scale		product family	
				chr	M. GRAY 02/17/04	1:1		PwrBlade	
				appd	M. GRAY 02/17/04	size		code	
sheet index		revision sheet				A		213	
						51866-025		4 of 4	

Tous droits strictement réservés. Reproduction ou communication a des tiers interdite sous quelque forme que ce soit sans autorisation écrite du propriétaire. Propriété de c FCI. Droits de reproduction FCI.



All rights strictly reserved. Reproduction or issue to third parties in any form whatever is not permitted without written authority from the proprietor. Property of FCI. Copyright FCI.

A

A

B

B

# Mouser Electronics

Authorized Distributor

Click to View Pricing, Inventory, Delivery & Lifecycle Information:

[FCI / Amphenol:](#)

[51866-025LF](#) [51866-025](#)