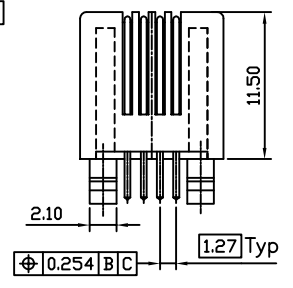
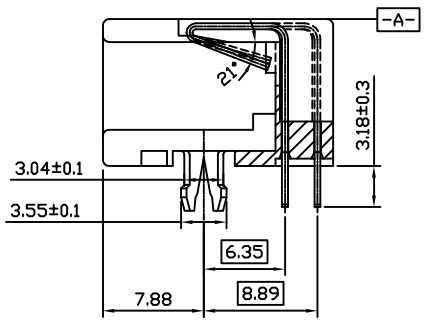
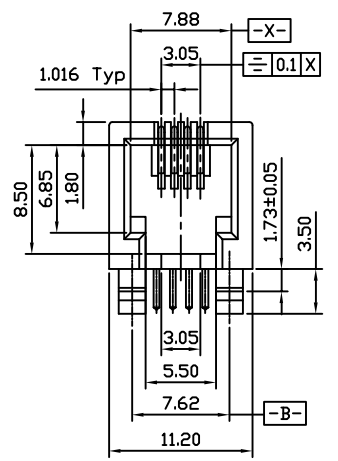


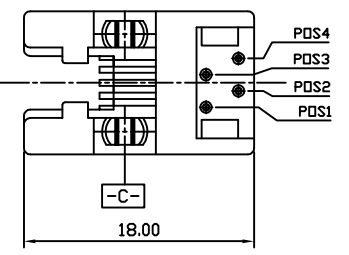
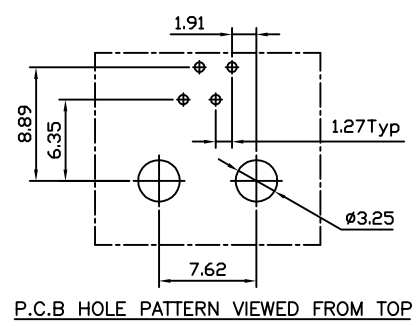
TELEJACK PCB SERIES 54601 X 04 XXX WP LF
 PLATING
 6 - 0.8 μ Au SELECTIVE MIN.
 7 - Au FLASH SELECTIVE MIN.
 8 - 1.27 μ Au SELECTIVE MIN.
 9 - 0.38 μ Au SELECTIVE MIN.
 NO.OF POS.
 04 - 4 POL INSULATOR
 LEAD FREE
 SPECIAL CODE
 WP- WITHOUT PROJECTION.
 CONTACTS LOADED
 BLANK - CTS. LOADED IN ALL POS.



- NOTES:
- Contact wire should not be exposed in the weld area. and weld flash not to exceed 0.30 above and weld strength to be checked for withstanding 500g force minimum on individual contacts.
 - All wires must be contained in the shelf.

Technical specifications
 Insulation Resistance - 500 M Ohms min.
 Dielectric Strength - 1000 V rms , 60 Hz.
 Contact Resistance - 20 to 30 m Ohms. max.
 Current Rating - 2.0 amp DC

MATERIAL
 Housing : PA66-GF25%-UL94 V0 BLACK
 Contact : Ø0.46 PHOSPHOR BRONZE ROUND WIRE
 Material:
 The housing will withstand exposure to 260-265°C for 5 seconds in a wavesoldering application. Use protective adhesive tape (Kapton or Teflon) or protective metallic devices on the areas which are directly exposed to wave soldering as it is used in classical leaded wave soldering.
 Contact : Ø0.46mm Phosphor Bronze
 Plating :
 Active zone : Gold over nickel on contact area
 Termination zone : SnPb over Nickel (Leaded vesion)
 : Matte Tin over nickel (Lead Free version)



- LF Products meet European Union Directives and other country Regulations as described in GS-22-008.
- The Housing will withstand exposure to 260° peak temperature for 5 sec in a wave solder application with a 1.6mm Min thick circuit board. Slight deformation of snap pegs may occur at 260-265°c which will not affect the function of the product.
- Lead Free or ROHS Directive labelling to be provided as per GS-14-920 for Lead Free version.

mat'l. code		surface		tolerance		projection		product family	
-		ISO 1302		ISO 406 ISO 1101		MM		MODULAR JACKS	
ltr	ecn no	dr	date	tolerances unless otherwise specified		MM		title	
B	108-0084	HVN	2008-07-10			MM		4 POS L/P PCB MODJACK	
				angles	linear	scale		dwg no	
				0°±1°		-		sheet 1 of 1 size	
				dr	MINI K VANDANATH	2003-04-14		5	
				enrg	HIRAN V N	2003-04-14		FCJ	
				chr	HIRAN V N	2008-07-10		C-BMJ-0112	
				appd	HIRAN V N	2008-07-10		A3	
sheet index		revision sheet		B				type Product Customer Drawing	
		1							

Copyright FCI
FCIconnect.com

Mouser Electronics

Authorized Distributor

Click to View Pricing, Inventory, Delivery & Lifecycle Information:

[FCI / Amphenol:](#)

[54601-704WPLF](#) [54601-804WPLF](#) [54601-904WPLF](#)