

4

3

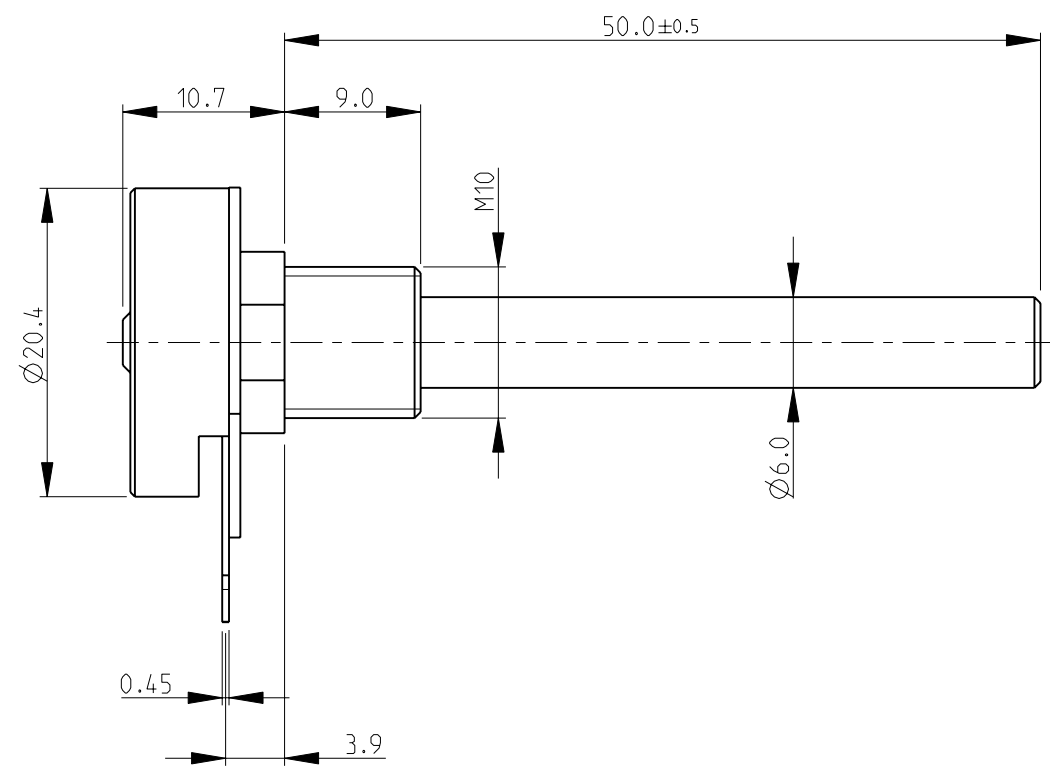
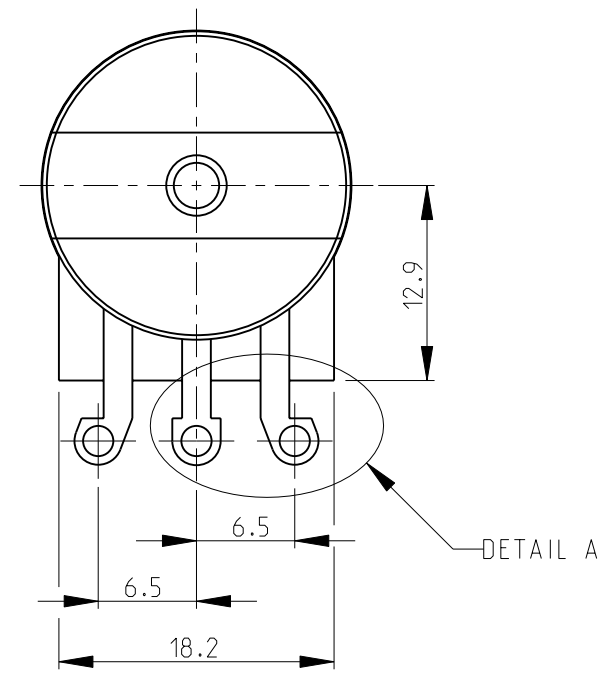
2

1

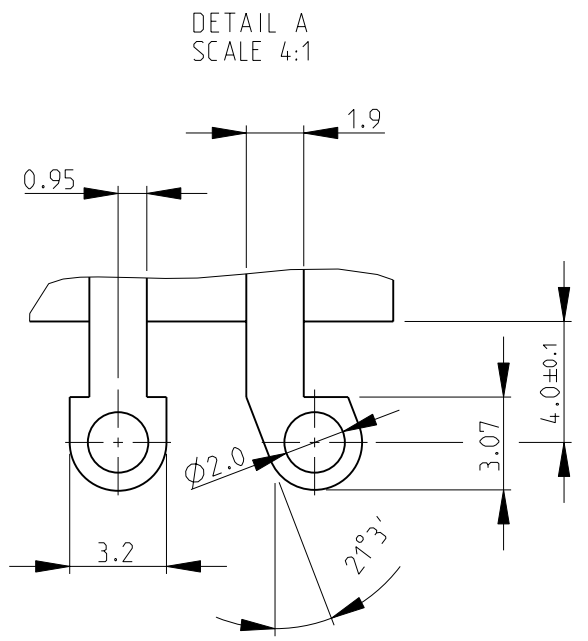
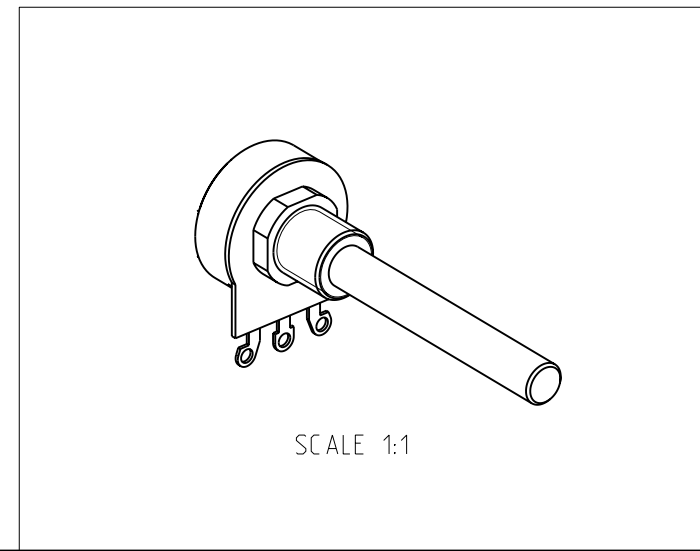
THIS DRAWING IS UNPUBLISHED. RELEASED FOR PUBLICATION 2008
 © COPYRIGHT 2008 BY TYCO ELECTRONICS CORPORATION. ALL RIGHTS RESERVED.

LOC		DIST		REVISIONS			
P	LTR	DESCRIPTION		DATE	DWN	APVD	
	BA	NEW RELEASE		19-NOV-08	SM	St.P	

FOR FURTHER INFORMATION SEE DATA SHEET FOR
 23 SERIES-SPINDLE OPERATED POTENTIOMETER



RoHS Compliant



<small>THIS DRAWING IS A CONTROLLED DOCUMENT FOR TYCO ELECTRONICS CORPORATION IT IS SUBJECT TO CHANGE AND THE CONTROLLING ENGINEERING ORGANIZATION SHOULD BE CONTACTED FOR THE LATEST REVISION.</small>		DWN	SUBHASH.M	19-NOV-08	Tyco Electronics Corporation Dorcan, Swindon, SN3 5HH	
DIMENSIONS: mm		CHK	PRAKASH.S	19-NOV-08	NAME	
		APVD	STEPHEN.P	19-NOV-08	SPINDLE OPERATED POTENTIOMETER SERIES 23E	
TOLERANCES UNLESS OTHERWISE SPECIFIED: 0 PLC ±0.2 1 PLC ±0.1 2 PLC ±- 3 PLC ±- 4 PLC ±- ANGLES ±5°		PRODUCT SPEC	-			
MATERIAL -		APPLICATION SPEC	-			
FINISH -		WEIGHT	-			
		CUSTOMER DRAWING	SIZE	A3	CAGE CODE	00779
			DRAWING NO	C=1624138		RESTRICTED TO
			SCALE	2:1	SHEET	1 OF 1
			REV	BA		

Mouser Electronics

Authorized Distributor

Click to View Pricing, Inventory, Delivery & Lifecycle Information:

[TE Connectivity:](#)

[23ESA472MLA50N](#)