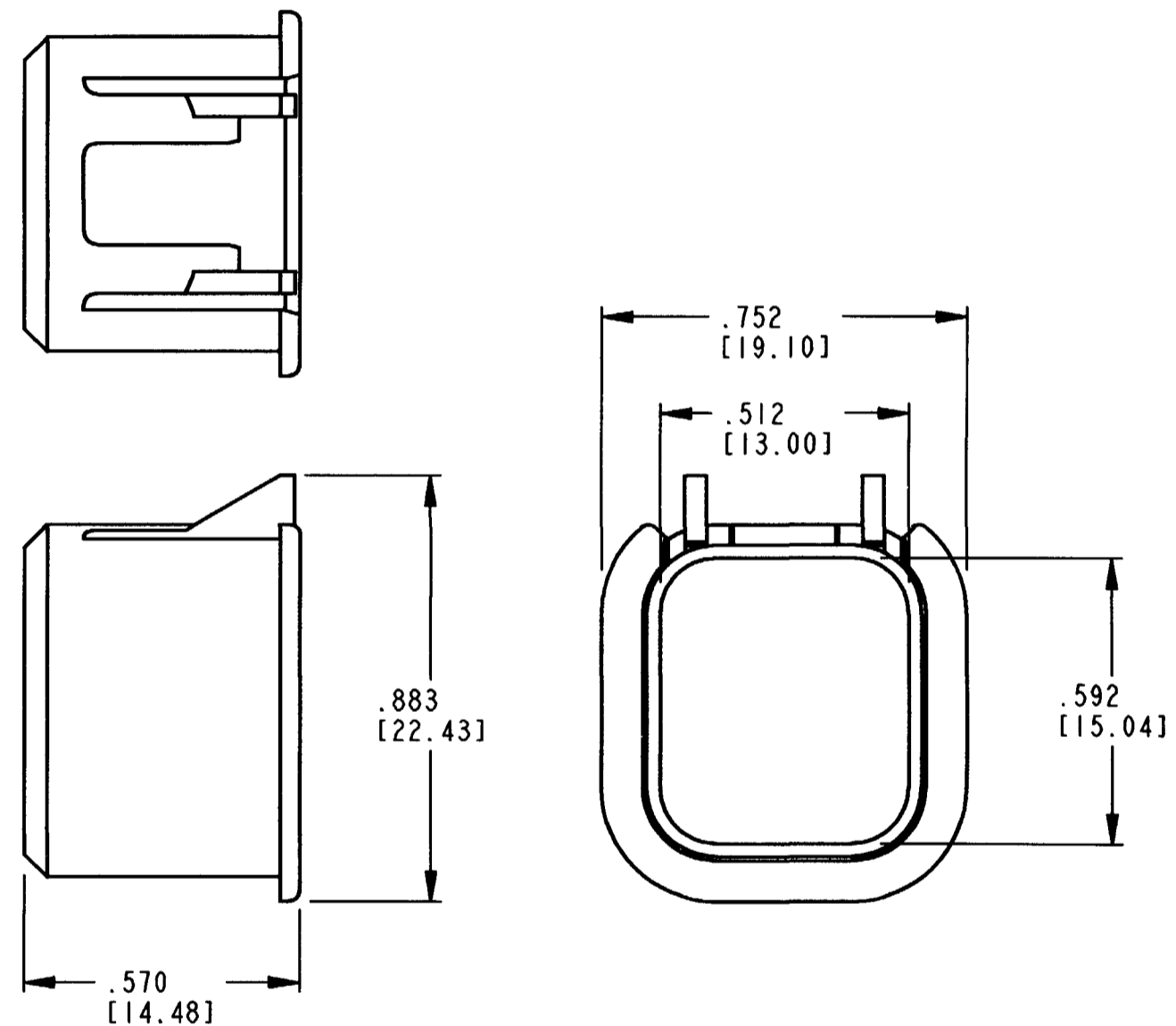


5. ASSEMBLE SLEEVE RETAINER AS SHOWN. SNAP SLEEVE RETAINER INTO RECEPTACLE. VERIFY SLEEVE RETAINER RETENTION FINGERS ARE FULLY SEATED BEHIND RECEPTACLE LATCH BUMPS. RECEPTACLE AND INTERFACE SEAL SHOWN FOR REFERENCE ONLY.

- 4. MATERIAL: PLASTIC
 - 3. PART DESIGNED TO FIT DTM04-6P-**** (**** = ALL MODIFICATIONS) CONSULT FACTORY FOR MODIFICATIONS.
 - 2. DIMENSIONS ARE ±.025 [.64]
 - 1. DIMENSIONS ARE IN INCHES [mm]
- NOTES: UNLESS OTHERWISE SPECIFIED

REV A	1011-047-0605	REVISIONS		
SYM	DESCRIPTION	DATE	APPROVED	
NC	NEW RELEASE PER E.O. P18258	6-22-99	R.D.R.	
A	REVISED, REDRAWN PER E.O. P18257	8-14-03	RDR	



SIGNATURE & DATE	
DR	V. TOMSA AUG-5-03.
CHK	<i>Jamie C. Gentry 8/14/03</i>
PE	<i>William Tomsa AUG-7-03</i>
APPD	<i>D. Meyer 8/11/03</i>
SCALE	NONE

SLEEVE RETAINER
FOR 6 PIN RECEPTACLE
COLOR: GREY
DTM SERIES

ENVELOPE

CP	MATL. CODE
The Deutsch Company	
DEUTSCH I.P.D. 3850 INDUSTRIAL AVE. HEMET, CALIF. 92545	
B	1011-047-0605
DWG SIZE	CODE 11139 SHEET OF

Mouser Electronics

Authorized Distributor

Click to View Pricing, Inventory, Delivery & Lifecycle Information:

[TE Connectivity:](#)

[1011-047-0605](#)