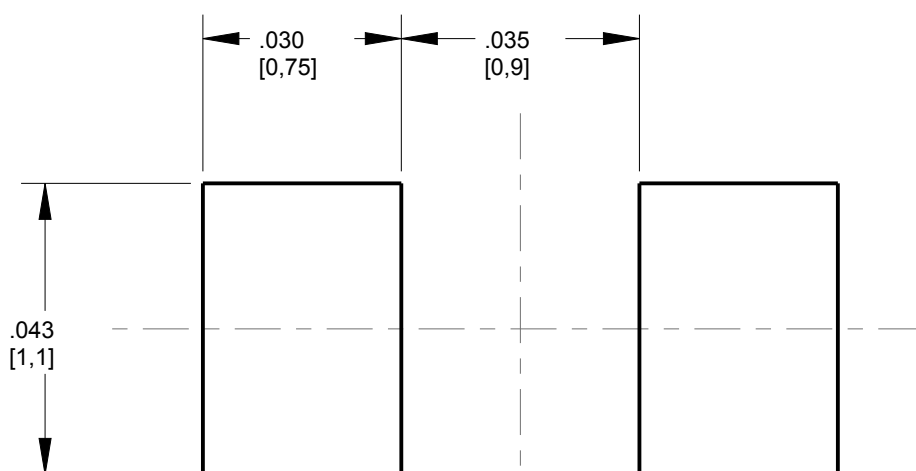
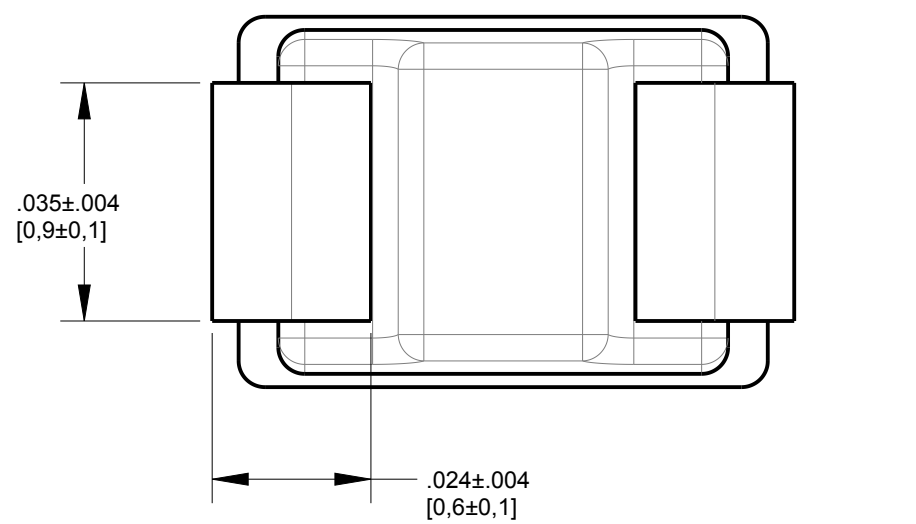
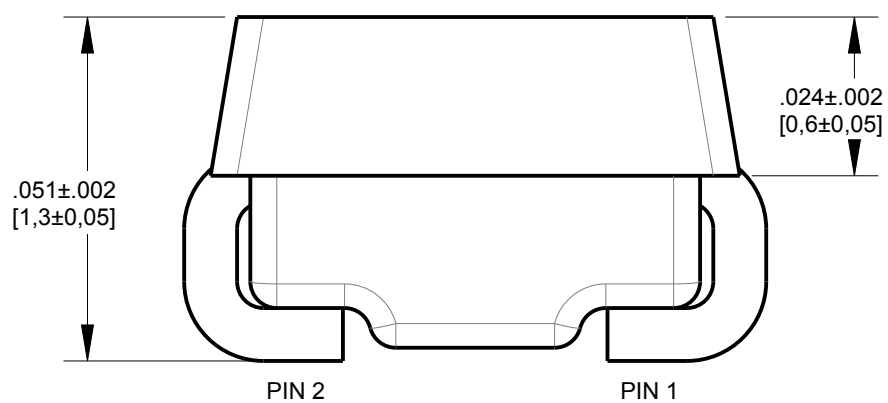
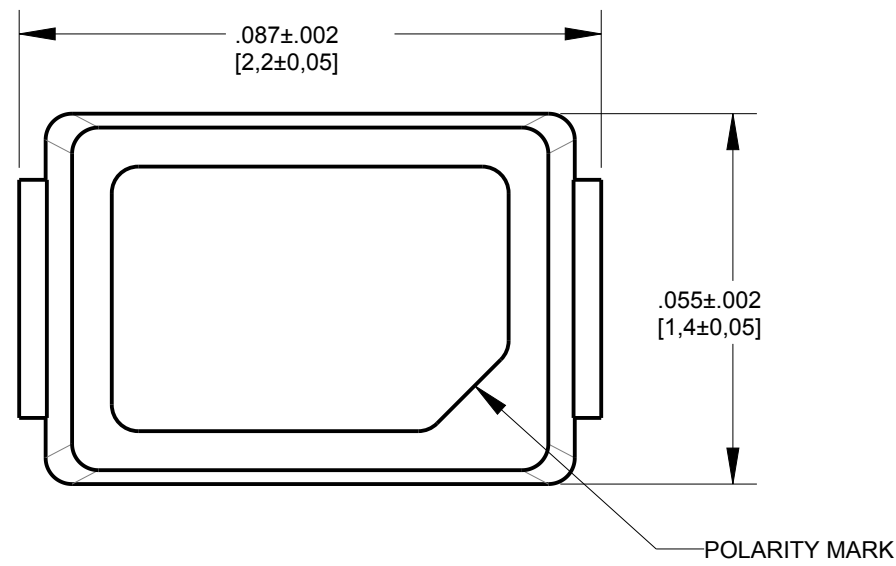
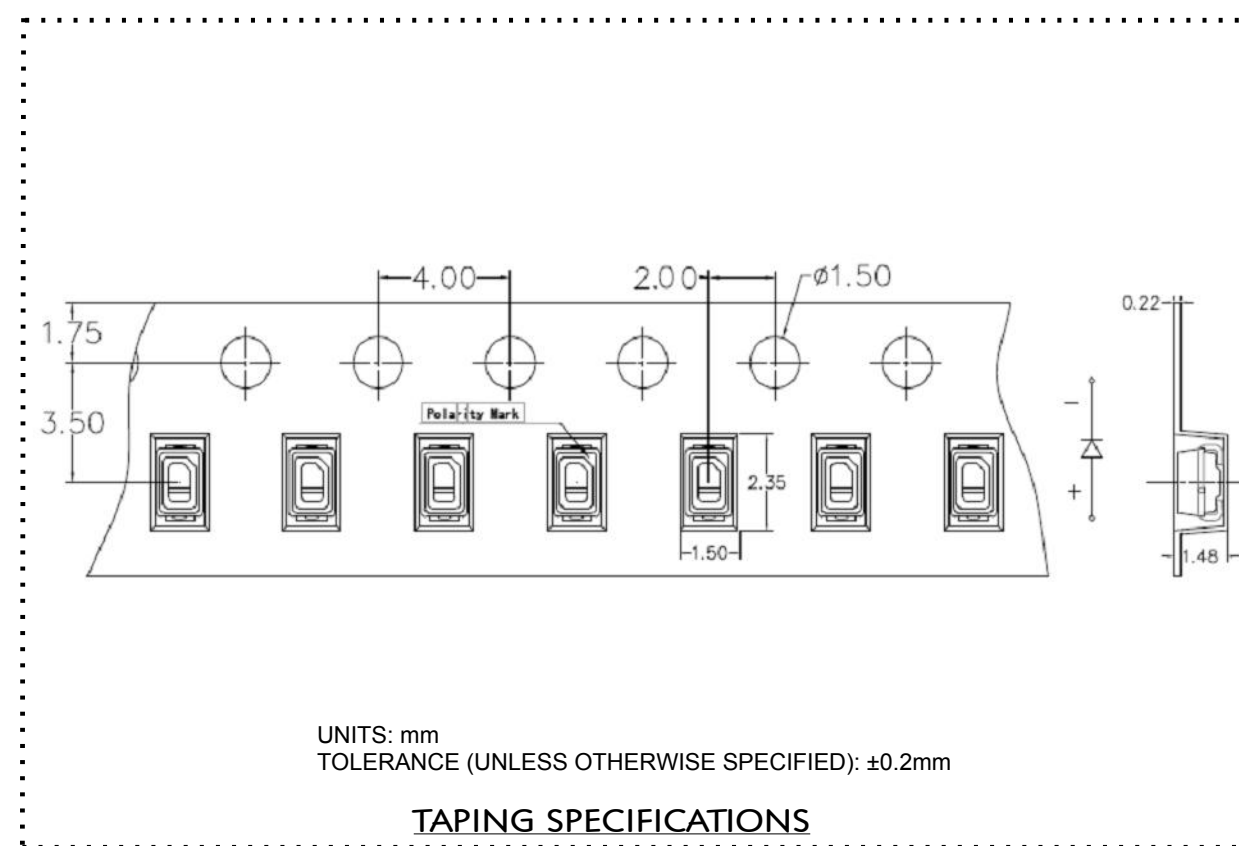


| PART NUMBER | LED COLOR (nm) |
|-------------|--------------------|
| 5988C10102F | RED (625) |
| 5988C10107F | |
| 5988C30102F | ORANGE (605) |
| 5988C30107F | |
| 5988C40102F | YELLOW (590) |
| 5988C40107F | |
| 5988C60102F | YELLOW GREEN (570) |
| 5988C60107F | |
| 5988C80102F | GREEN (525) |
| 5988C80107F | |
| 5988C90102F | BLUE (470) |
| 5988C90107F | |

| REV | REVISIONS | DRN | APP | DATE |
|-----|--|-----|-----|---------|
| A | NEW RELEASE | LD | NO | 3-22-19 |
| B | ADDED VIEWING ANGLE | LD | NO | 4-25-19 |
| C | REMOVED 5mA on FORWARD VOLTAGE, REVISED TOLERANCES AND ADDED ELECTROSTATIC DISCHARGE | LD | SK | 12-5-19 |

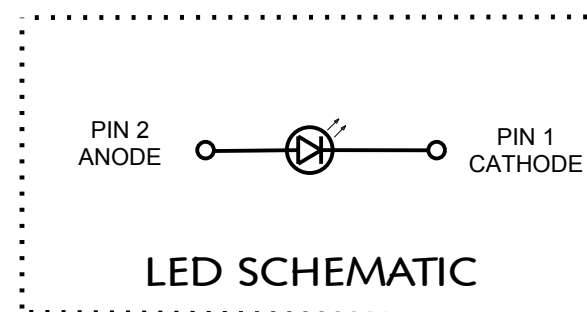


RECOMMENDED SOLDER PAD LAYOUT



| ABSOLUTE MAXIMUM RATINGS AT 25 °C | | | | | | | | |
|-----------------------------------|------------------------|----------------------|---------------------------|---------------------|----------------------------|--------------------------|------------------------|-----------------------------|
| LED COLOR | POWER DISSIPATION (mW) | FORWARD CURRENT (mA) | PEAK FORWARD CURRENT (mA) | REVERSE VOLTAGE (V) | OPERATING TEMPERATURE (°C) | STORAGE TEMPERATURE (°C) | DERATING CURVE (mA/°C) | ELECTROSTATIC DISCHARGE (V) |
| RED | 48 | 20 | 60 | 5 | -40 TO +85 | -40 TO +100 | .49 | 2000 |
| ORANGE | 70 | | | | | | .45 | |
| YELLOW | 48 | | | | | | .51 | |
| YELLOW GREEN | 48 | | | | | | .49 | |
| GREEN | 70 | | | | | | .57 | |
| BLUE | 70 | | | | | | .51 | |

| OPERATING CHARACTERISTICS AT 25 °C | | | | | | | | | | | | |
|------------------------------------|----------------------|--------------------------|------|------|--------------------------|------|------|---------------------|-----------------|------|---------------------|---------------------------|
| LED COLOR | TEST CURRENT IF (mA) | LUMINOUS INTENSITY (mcd) | | | DOMINANT WAVELENGTH (nm) | | | REVERSE CURRENT MAX | FORWARD VOLTAGE | | VIEWING ANGLE (DEG) | THERMAL RESISTANCE (°C/W) |
| | | MIN. | TYP. | MAX. | MIN. | TYP. | MAX. | | TYP. | MAX. | | |
| RED | 20 | 280 | 405 | 530 | 620 | 625 | 630 | 10µA @ VR=5V | 1.8 | 2.4 | 120 | 110 |
| ORANGE | | 230 | 290 | 350 | 600 | 605 | 610 | | 1.8 | 2.4 | | |
| YELLOW | | 280 | 405 | 530 | 585 | 590 | 595 | | 1.8 | 2.4 | | |
| YELLOW GREEN | | 40 | 65 | 90 | 565 | 570 | 575 | | 1.8 | 2.4 | | |
| GREEN | | 1500 | 1900 | 2300 | 520 | 525 | 530 | | 2.8 | 3.3 | | |
| BLUE | | 350 | 440 | 530 | 465 | 470 | 475 | | 2.8 | 3.3 | | |



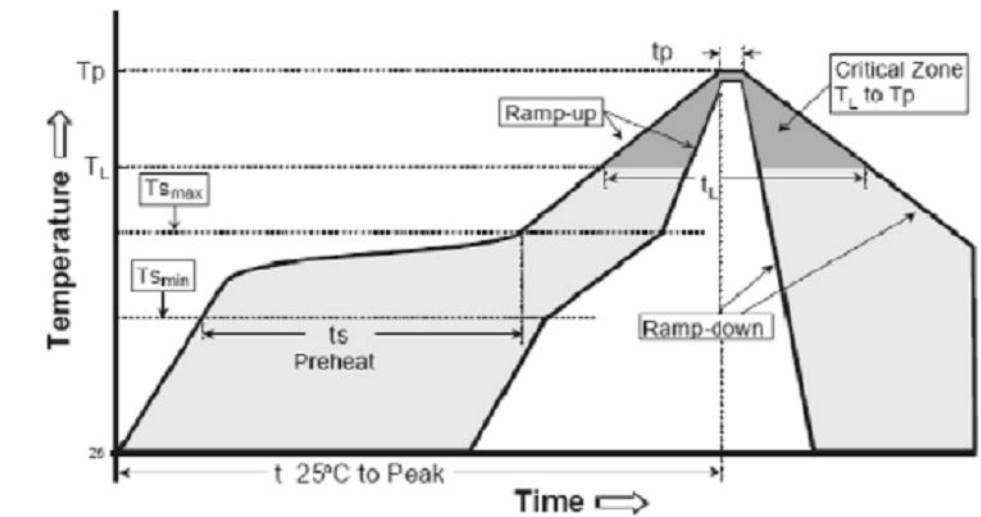
ATTENTION:
OBSERVE PRECAUTIONS FOR HANDLING ELECTROSTATIC SENSITIVE DEVICES

NOTES:

- PIN NUMBERS ARE FOR REFERENCE ONLY, DESIGNATION NON-EXISTENT ON PART.
- LABELING FOR REEL AND OUTSIDE OF ALUMINUM BAG, DIALIGHT P/N, QUANTITY PER REEL, DATE CODE, INTENSITY BIN CODE, LOT NUMBER AND COUNTRY OF ORIGIN
- THIS PRODUCT IS RoHS COMPLIANT. EACH BAG IS TO BE MARKED WITH RoHS COMPLIANT LABEL OR EQUIVALENT MARKINGS. LED MUST BE Pb FREE.
- MOISTURE SENSITIVITY LEVEL 3
- QUANTITY IS 3,000 PCS/ REEL

RECOMMENDED RoHS SOLDER PROFILE

SMT Reflow Soldering Instructions SMT



| MARK | DEFINITION | CONDITION |
|---------------------|------------------------------------|-----------------|
| TS _{max} | Maximum of pre-heating temperature | 200 °C |
| TS _{min} | Minimum of pre-heating temperature | 150 °C |
| T _s | Time form Tsmin to Tsmax | 60-120 sec |
| T _L | Reference temperature | 217 °C |
| t _L | Retention time for TL | within 60s |
| T _P | Peak Temperature | 260 °C |
| t _P | Time for peak temperature | within 10s |
| DT _r /Dt | Temperature rising rate | under 3 °C/sec |
| DT _d /Dt | Temperature decreasing rate | under -3 °C/sec |

| | | |
|---|---|-----|
| THIS DRAWING AND THE CONTENTS HEREIN ARE CONFIDENTIAL AND THE SOLE PROPERTY OF DIALIGHT CORP. REPRODUCTION OF THIS DRAWING OR CONSTRUCTION OF ANY PARTS WITHIN THIS DRAWING ARE FORBIDDEN WITHOUT THE WRITTEN CONSENT OF DIALIGHT CORP. | | |
| DIALIGHT CORP INTERNAL REFERENCE ONLY = 3D MODEL: 450021848X15-A-1 | | |
| SCALE: 35.00 | DRAWING NUMBER | REV |
| ALL DIMS IN: INCHES (MM) | C18403 | C |
| TOLERANCES: UNLESS OTHERWISE SPECIFIED | TITLE | |
| FRACTIONS: ±1/64 | MINI-PLCC2 PACKAGE | |
| DECIMALS (.XX): ±.01 | MATERIAL | |
| DECIMALS (.XXX): ±.005 | Dialight | |
| DECIMALS (.XXXX): ±.0005 | 1501 ROUTE 34 SOUTH FARMINGDALE, NJ 07727 (732) 919-3119 www.dialight.com | |
| ANGLES: ±1° | FINISH | |
| FSCM 83330 | SHEET 1 OF 1 FAMILY TABLE: | |

Mouser Electronics

Authorized Distributor

Click to View Pricing, Inventory, Delivery & Lifecycle Information:

Dialight:

[598-8C10-102F](#) [598-8C10-107F](#) [598-8C30-102F](#) [598-8C30-107F](#) [598-8C40-102F](#) [598-8C40-107F](#) [598-8C60-102F](#)
[598-8C60-107F](#) [598-8C80-102F](#) [598-8C80-107F](#)