

THIS DRAWING IS UNPUBLISHED. RELEASED FOR PUBLICATION
 © COPYRIGHT - By - ALL RIGHTS RESERVED.

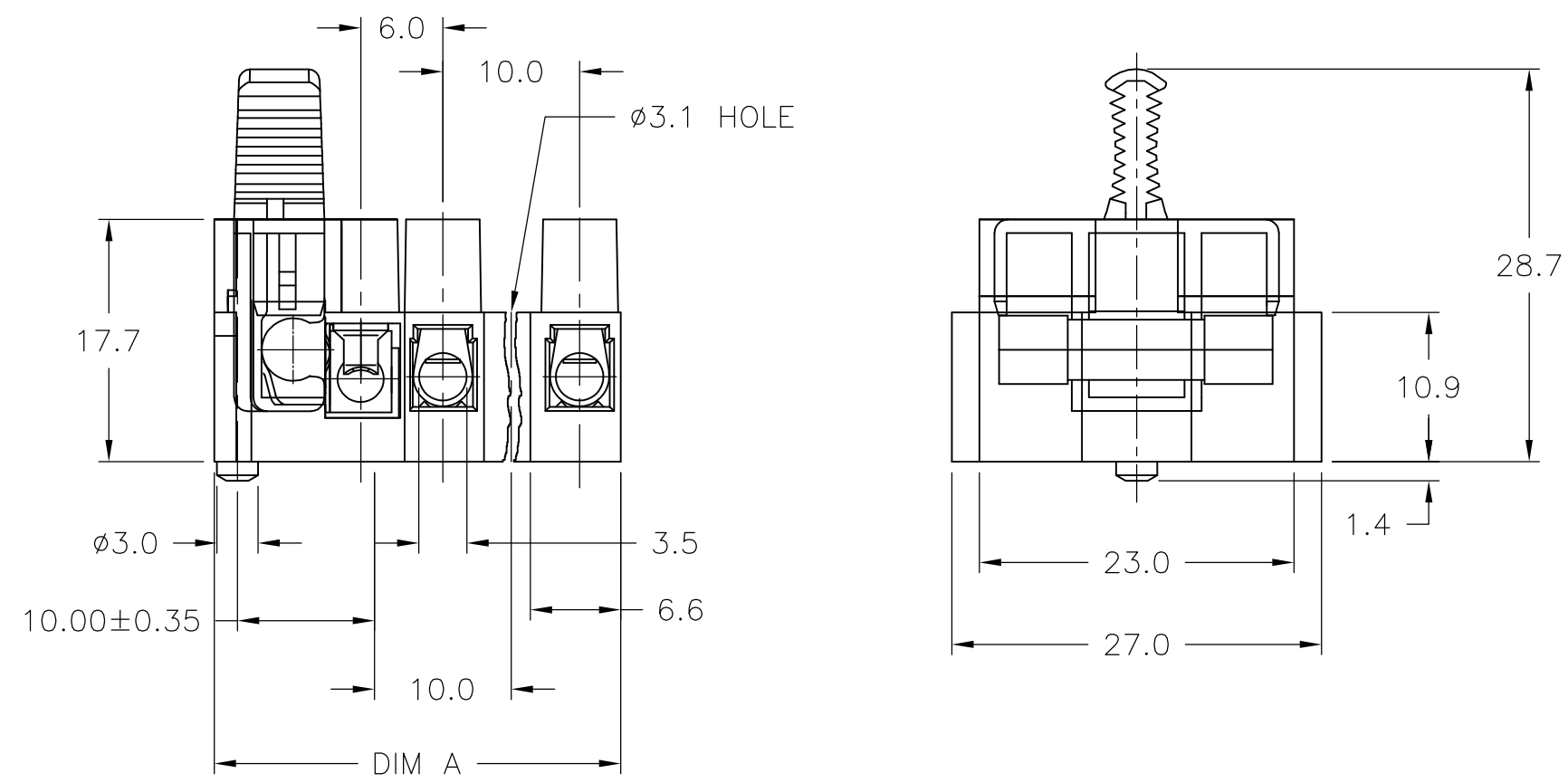
LOC	DIST	REVISIONS					
P	LTR	DESCRIPTION	DATE	DWN	APVD		
FT	0	P	P	REVISED PER ECO-11-005027	11MAR11	RK	HMR

MATERIAL:
 HOUSING: POLYAMIDE 6/6, GRAY, HANDLE BLACK.
 INSERTS: BRASS, TIN PLATED.
 CONTACTS FOR FUSES: STAINLESS SPRING STEEL.
 SCREWS: M3, STEEL, ZINC PLATED, NON-HEXAVALENT CHROMATE (CHROME III).

VOLTAGE RATING:
 FUSE HOLDERS: 250V
 TERMINAL BLOCKS: 400V

CURRENT RATING:
 FUSE HOLDERS: 10A
 TERMINAL BLOCKS: 16A

WIRE RANGE: 12-22 AWG



30.0	503SI/3EDS	2-1776301-3
DIM A	CATALOG NO.	PART NUMBER
WIRE PROTECTOR GROUND		

50.0	503SI/5E	1-1776301-5
40.0	503SI/4E	1-1776301-4
30.0	503SI/3E	1-1776301-3
DIM A	CATALOG NO.	PART NUMBER
TUNNEL CONNECTION GROUND		

50.0	503SI/5DS	1-1776301-0
40.0	503SI/4DS	1776301-9
30.0	503SI/3DS	1776301-8
20.0	503SI/2DS	1776301-7
14.3	503SI/1DS	1776301-6
DIM A	CATALOG NO.	PART NUMBER
WIRE PROTECTOR		

50.0	503SI/5	1776301-5
40.0	503SI/4	1776301-4
30.0	503SI/3	1776301-3
20.0	503SI/2	1776301-2
14.3	503SI/1	1776301-1
DIM A	CATALOG NO.	PART NUMBER
TUNNEL CONNECTION		

THIS DRAWING IS A CONTROLLED DOCUMENT.		DWN S SCHLEGEL 3/21/05	STE TE Connectivity	
DIMENSIONS: mm		CHK S YODER 3/21/05		
TOLERANCES UNLESS OTHERWISE SPECIFIED:		APVD S YODER 3/21/05	NAME FUSED TERMINAL BLOCK 503SI	
0 PLC ± -		PRODUCT SPEC -	SIZE CAGE CODE DRAWING NO RESTRICTED TO	
1 PLC ± .3		APPLICATION SPEC -	A3 00779 C-1776301 -	
2 PLC ± .25		WEIGHT -	SCALE NTS SHEET 1 OF 1 REV P	
3 PLC ± -		CUSTOMER DRAWING		
4 PLC ± -				
ANGLES ± -				
FINISH -				

Mouser Electronics

Authorized Distributor

Click to View Pricing, Inventory, Delivery & Lifecycle Information:

[TE Connectivity:](#)

[1776301-8](#)