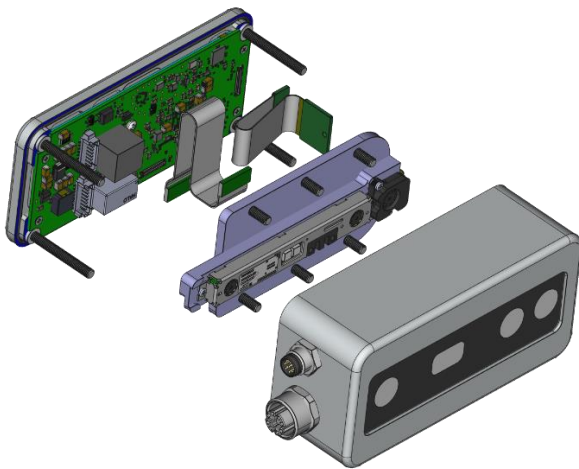


D415e - FRAMOS Industrial Depth Camera



Key Benefits & Features:

- IP66 dust and water-proof housing for industrial environments
- Gigabit ethernet data transmission
- Secure cable connections with threaded M12 and M8 plugs
- Data transfer up to 100m in length
- Single cable for both power & data via PoE
- Increased data transmission reliability with packet resends
- GigE Vision compliant
- Intel® RealSense™ SDK 2.0 compatible
- Onboard depth calculation with Intel® RealSense™ Vision Processor D4
- External Event Trigger Mode

Specification	
Model Name	D415e
Hardware	
Housing material	Aluminium, anodized
Dimensions (L x H x W)	100 x 47 x 38
Mounting holes (backside)	4 x M3 ↓ 3,20 mm
Connector 1	M12 Ethernet, X-Coded (Datastream + PoE possible)
Connector 2	M8, 8 pin, A-Coded (Power supply + GPIO)
Housing Grade	IP66, IP67 on demand
Protection glass	AR coating, scratch resistant (6H)
Physical Interface	Gigabit ethernet
Camera weight	Ca. 250 grams
Features ¹	
Resolution depth	1280 x 720 px (rolling shutter) 1.4µm x 1.4µm pixel size
Resolution RGB	1920 x 1080 px (rolling shutter)
FOV depth (H x V x D)	65° x 40° x 72° (+/- 3°)
FOV RGB (H x V x D)	69° x 43° x 77° (+/- 3°)
Baseline (depth)	55 mm
Projector	Unstructured light in IR spectrum to enhance depth quality
Operating range	0,3 m – 10 m
Streaming speed	30 fps for simultaneous RGB and depth streams @ 1280 x 720 px
Power consumption ²	6W (AUX) / 7W (PoE)
Supply voltage	12V-24V (+/- 10%)
Software	
Software	Intel® RealSense™ SDK 2.0, basic functionality in any GigE Vision compliant software
Operating systems	Linux, Windows, ARM ³
Environmental	
Operating temperature	0 to +55 °C housing temperature
Storage temperature	-40 to +70 °C ambient temperature
Operating relative humidity	Up to 90%
Suggested Accessories	
Ethernet cable (M12 connector, male); power cable (M8 connector, female); heat sink (adequate for mounting holes)	
Certifications	
Regulatory	CE, FCC, RoHS
Shock	DIN EN 60068-2-27
Vibration	DIN EN 60068-2-6, DIN EN 60068-2-64

¹ Intel® RealSense™ depth module data sheet:

<https://dev.intelrealsense.com/docs/datasheets>

² typical consumption at ambient temperatures of 25°C

³ NVIDIA Jetson TX2, other platforms upon request

sales@framos.com | support@framos.com

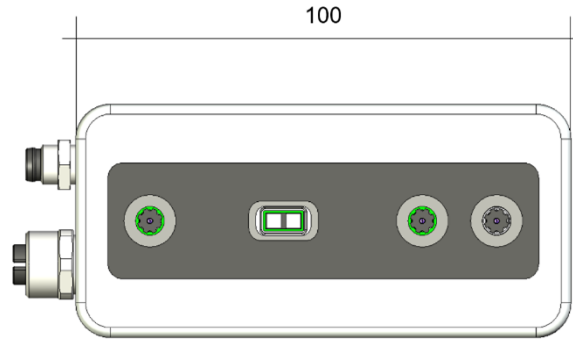
HQ Germany: +49 89 710667 0 | Office NA: +1 613 686 1152 | Office Italy: +39 039 6899 635

Office France: +33 782 863 478 | Office UK: +44 1276 4041 40

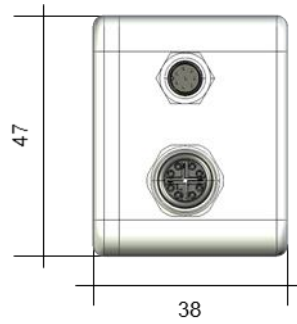


D415e - FRAMOS Industrial Depth Camera

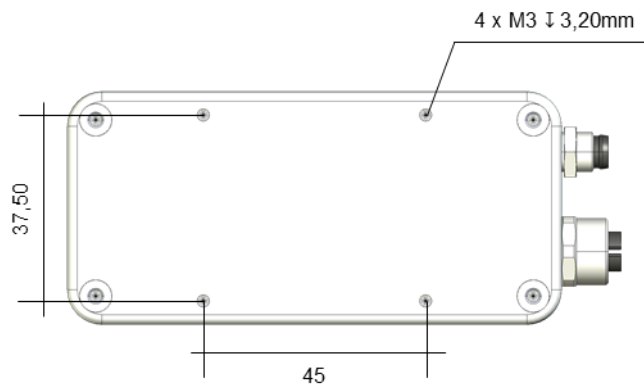
Front View



Side View



Back View



Mouser Electronics

Authorized Distributor

Click to View Pricing, Inventory, Delivery & Lifecycle Information:

[FRAMOS:](#)

[Depth Camera D415e Starter Kit](#)