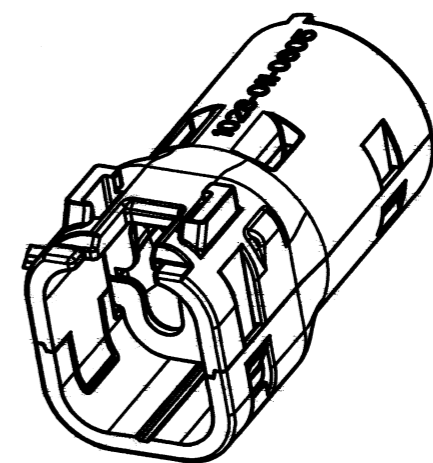
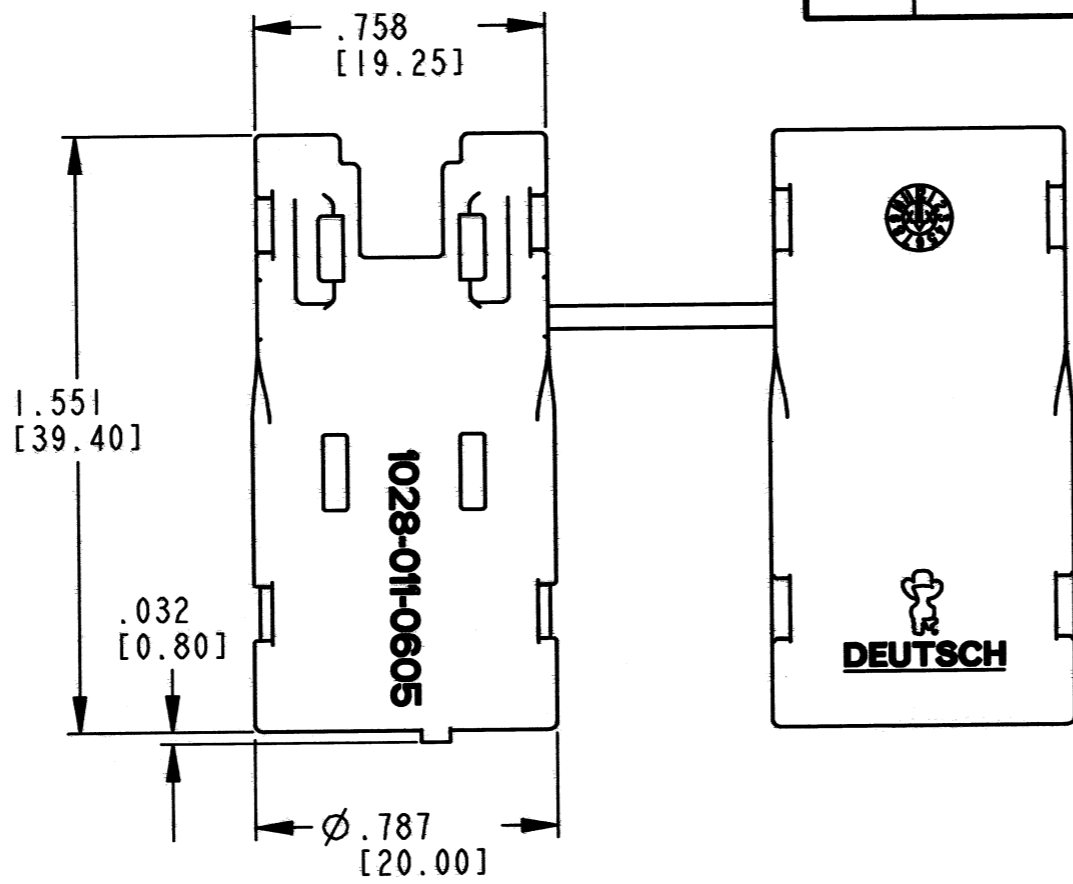
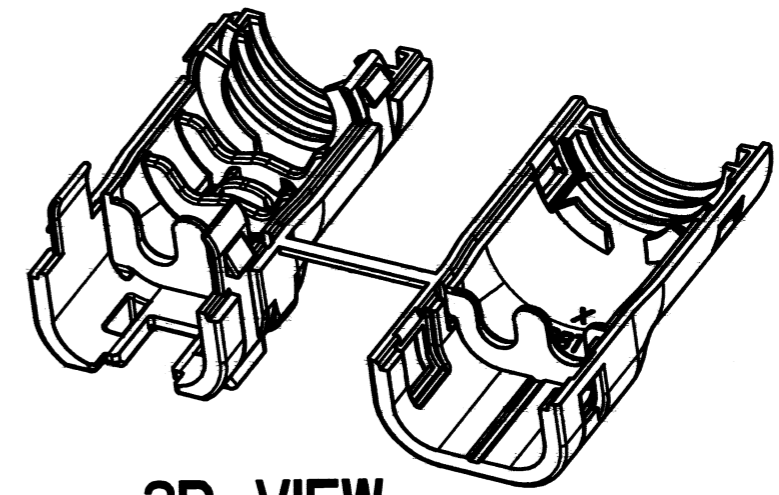
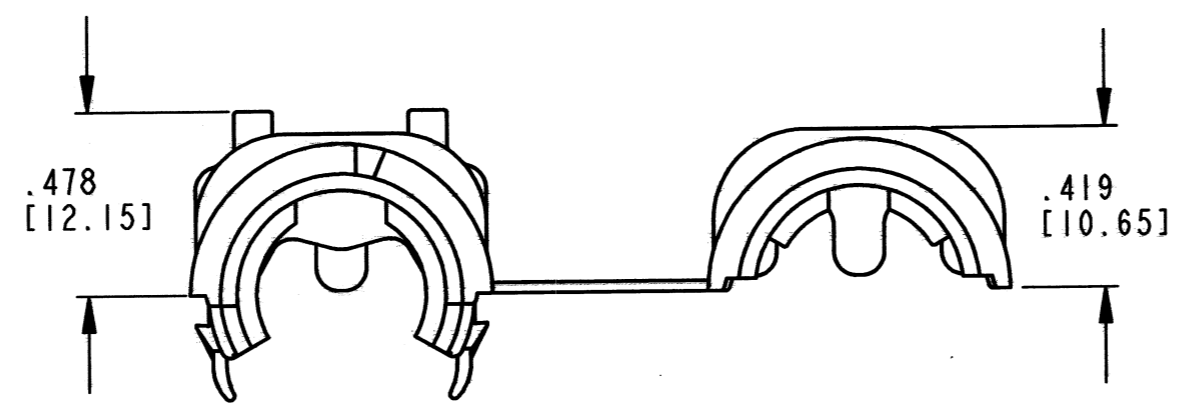
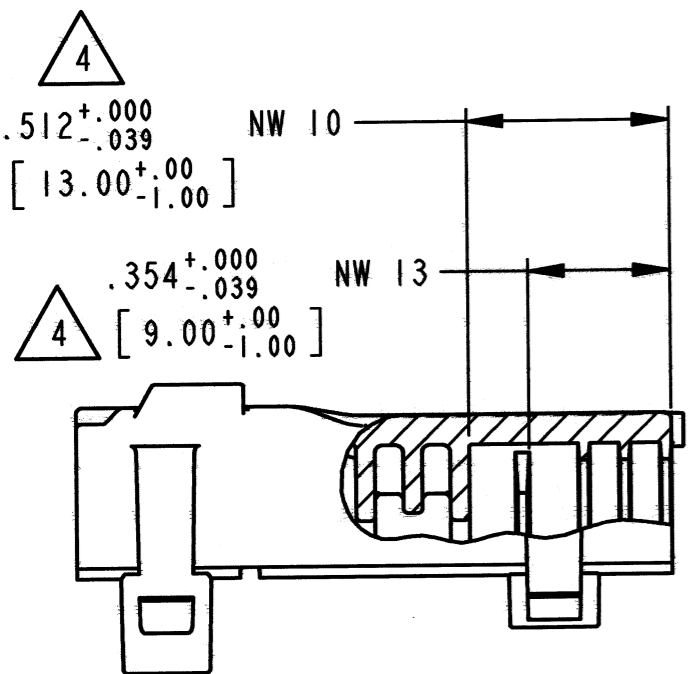


REV
C 1028-011-0605

REVISIONS			
SYM	DESCRIPTION	DATE	APPROVED
C	REVISED/REDRAWN PER E.O. P21032	5-1-12	ARR



3D VIEW
CLOSED



3D VIEW
OPEN

4. DIMENSION SHOWN INDICATES PROPER DEPTH TO ASSEMBLE NOTED CONVOLUTE TUBE SIZE.

3. MATERIAL: PLASTIC; COLOR: BLACK

2. THIS PART MATES WITH DTM06-6S*-**** PLUG WITH ANY MODIFICATION THAT DOES NOT INCLUDE AN END CAP. (* = KEY ARR. A,B,C,D; **** = MODIFICATION)

NOTES: 1. ALL DIMENSIONS ARE IN INCHES [MILLIMETERS] AND ARE ±.025[.64] UNLESS OTHERWISE SPECIFIED.

SIGNATURE & DATE	
DR	A. MALAGON 13 JUL 11
CHK	B. Byford 4/30/2012
PE	R. Milligan 2/7/12
APPD	S. Bernal 9/27/12
SCALE	NONE
WT	

BACKSHELL
SWIVEL ADAPTER
6 PIN PLUG
DTM SERIES

ENVELOPE

EP	MATL. CODE
3850 INDUSTRIAL AVE. HEMET, CA 92545	
B	1028-011-0605
DWG SIZE	CODE 11139 SHEET OF

Mouser Electronics

Authorized Distributor

Click to View Pricing, Inventory, Delivery & Lifecycle Information:

[TE Connectivity:](#)

[1028-011-0605](#)