



Product designation				Power contactor
Product type designation				BFK26
<b>Contact characteristics</b>				
Number of poles	nr.			3
Rated insulation voltage $U_i$	V			690
Rated impulse withstand voltage $U_{imp}$	kV			6
Operating frequency	Operational frequency min	Hz		25
	Operational frequency max	Hz		400
	Conventional free air thermal current $I_{th}$	A		45
Operating current	Operational current AC3 ( $\leq 440V \leq 55^\circ C$ )	A		26
	Operational current AC4 (400V)	A		11.5
	Short-time allowable current for 10s (IEC/EN60947-1)	A		210
Protection fuse	gG (IEC)	A		50
	aM (IEC)	A		32
	Making capacity (RMS value)	A		260
Breaking capacity at voltage	Breaking capacity 440V	A		208
	Breaking capacity 500V	A		184
	Breaking capacity 690V	A		168
	Resistance per pole (average value)	m $\Omega$		
Power dissipation per pole (average value)	Power dissipation pole (average value) $I_{th}$	W		4
	AC3	W		1.4
	Tightening torque for terminals	min	Nm	
max		Nm		3
min		lbft		1.8
max		lbft		2.2
Tightening torque for coil terminal		min	Nm	
	max	Nm		1
	min	lbft		0.59
	max	lbft		0.74
	max number of wires simultaneously connectable	nr.		
Conductor section	AWG	min		14
		max		6
Flexible w/o lug conductor section	min	mm <sup>2</sup>		2.5
	max	mm <sup>2</sup>		16
Flexible c/w lug conductor section				

	min	mm <sup>2</sup>	1
	max	mm <sup>2</sup>	10
Flexible with insulated spade lug conductor section			
	min	mm <sup>2</sup>	1
	max	mm <sup>2</sup>	10
Power terminal protection according to IEC/EN 60529			IP20
<b>Ambient conditions</b>			
Temperature			
Operating temperature			
	min	°C	-50
	max	°C	70
Storage temperature			
	min	°C	-60
	max	°C	80
Max altitude		m	3,000
Operating position			
	normal allowable		Vertical plan ±30°
Mounting			Screw / DIN rail 35mm
Weight		g	0.432
<b>Operations</b>			
Mechanical life		Cycles	20,000,000
Electrical life		Cycles	1600000
<b>Safety related data</b>			
Mirror contacts according to IEC/EN 609474-4-1			Yes
EMC compatibility			Yes
<b>AC coil operating</b>			
Rated AC voltage at 50/60Hz, 60Hz			
	min	V	12
	max	V	600
AC operating voltage			
of 50/60Hz coil powered at 50Hz			
	pick-up		
	min	%Us	80
	max	%Us	110
	drop-out		
	min	%Us	20
	max	%Us	55
of 50/60Hz coil powered at 60Hz			
	pick-up		
	min	%Us	85
	max	%Us	110
	drop-out		
	min	%Us	40
	max	%Us	55
of 60Hz coil powered at 60Hz			
	pick-up		
	min	%Us	80
	max	%Us	110
	drop-out		
	min	%Us	20
	max	%Us	55
AC operating voltage			

of 50/60Hz coil powered at 50Hz

in-rush	VA	75
holding	VA	9

of 50/60Hz coil powered at 60Hz

in-rush	VA	70
holding	VA	6.5

of 60Hz coil powered at 60Hz

in-rush	VA	75
holding	VA	9

Dissipation at holding ≤20°C 50Hz	W	2.5
-----------------------------------	---	-----

**Max cycles frequency**

Mechanical operations	Cycles/h	3,600
-----------------------	----------	-------

**Operating times**

Average time for Us control

in AC

Closing NO

min	ms	8
max	ms	24

Opening NO

min	ms	5
max	ms	15

Closing NC

min	ms	9
max	ms	20

Opening NC

min	ms	9
max	ms	17

in DC

Closing NO

min	ms	53
max	ms	65

Opening NO

min	ms	14
max	ms	18

Closing NC

min	ms	23
max	ms	28

Opening NC

min	ms	46
max	ms	56

**UL technical data**

Full-load current (FLA) for three-phase AC motor

at 480V	A	21
at 600V	A	22

Yielded mechanical performance

for single-phase AC motor

at 110/120V	hp	2
at 230V	hp	5

for three-phase AC motor

at 200/208V	hp	7.5
at 220/230V	hp	7.5
at 460/480V	hp	15
at 575/600V	hp	20

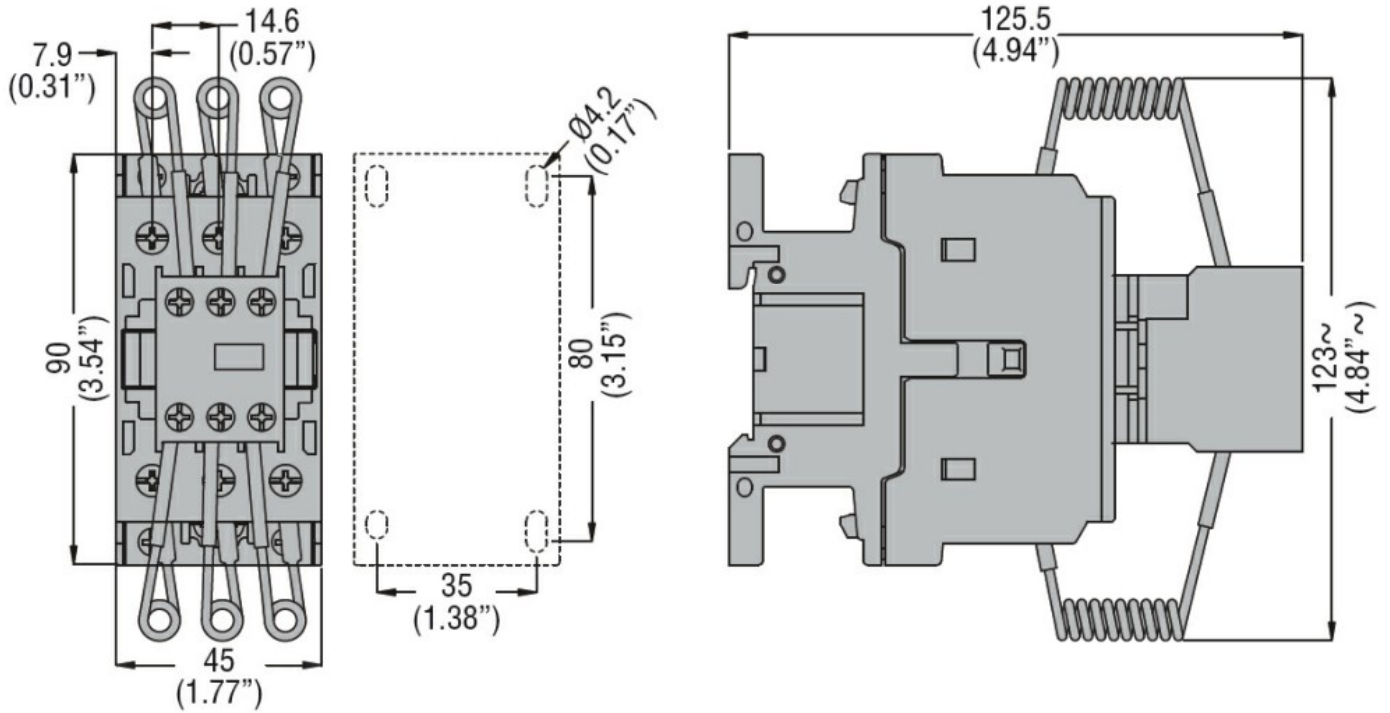
Contact rating of auxiliary contacts according to UL

SI - A600

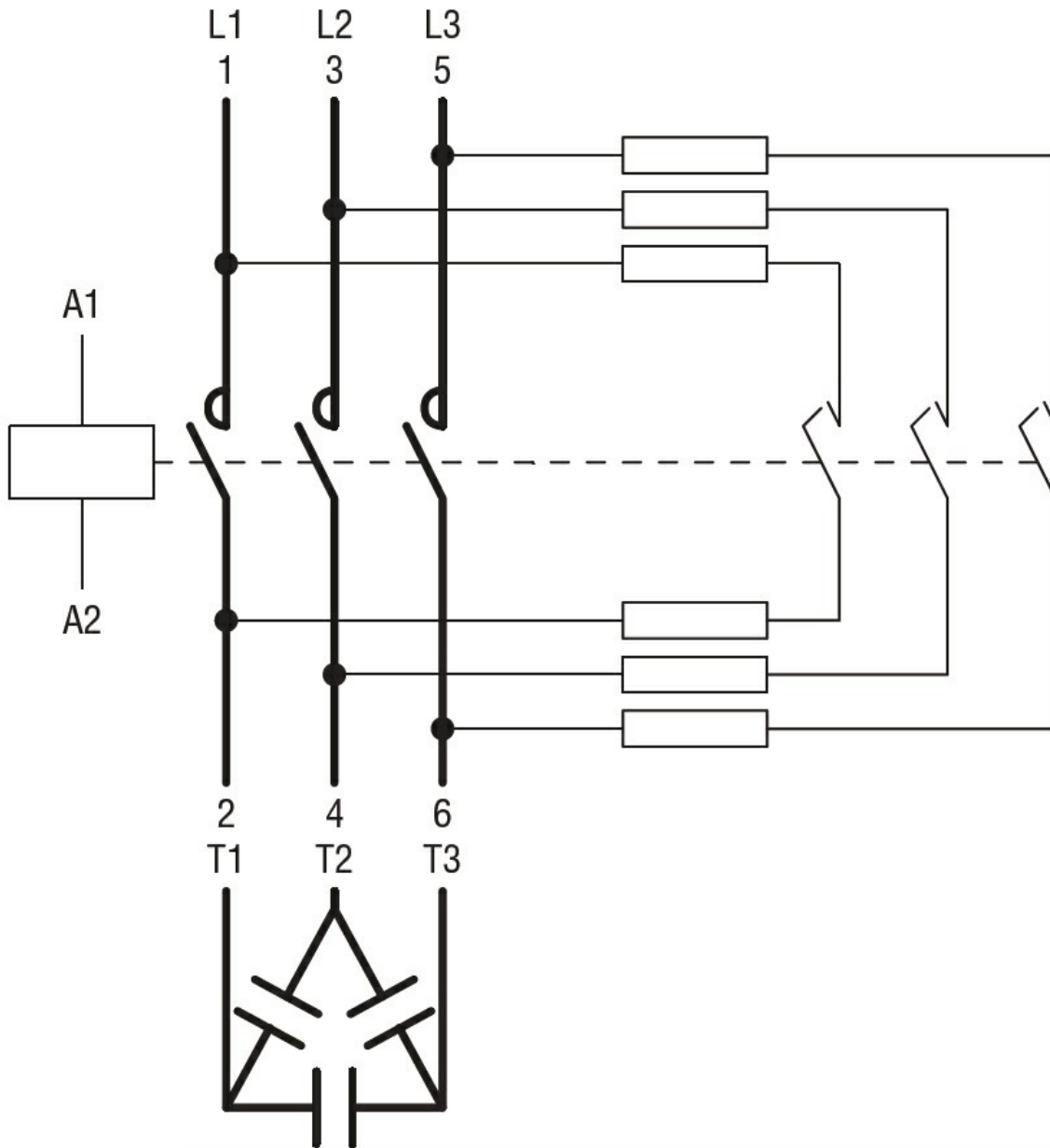
General USE

Contactor	AC current	A	32
Auxiliary contacts	AC voltage	V	600
	AC current	A	10
	DC voltage	V	250
	DC current	A	1

Dimensions



Wiring diagrams



### Certifications and compliance

#### Certifications

CSA C22.2 n° 60947-1  
CSA C22.2 n° 60947-4-1  
IEC/EN 60947-1  
IEC/EN 60947-4-1  
UL 60947-1  
UL 60947-4-1

#### Compliance

CCC  
cULus  
EAC

### ETIM 6 classification

EC000066 - Power contactor, AC switching