

INTERCONNECTS

SERIES 350, 450, 801, 803 • .100" GRID (.025" DIA. PINS), LOW PROFILE HEADERS & VERSATILE SOCKETS • SINGLE & DOUBLE ROW STRIPS

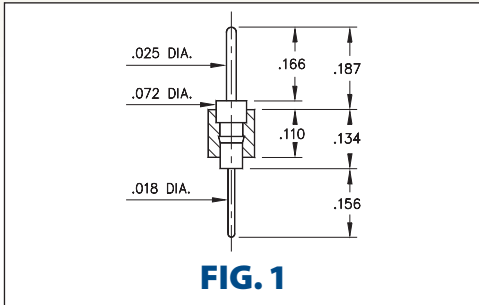


FIG. 1

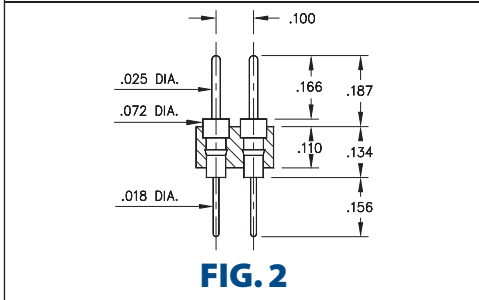


FIG. 2

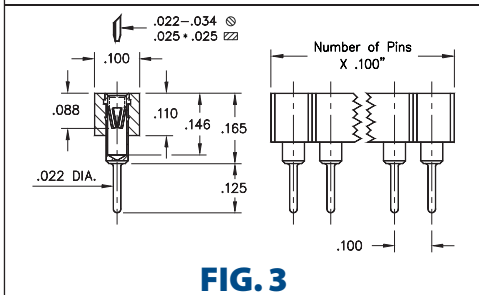


FIG. 3

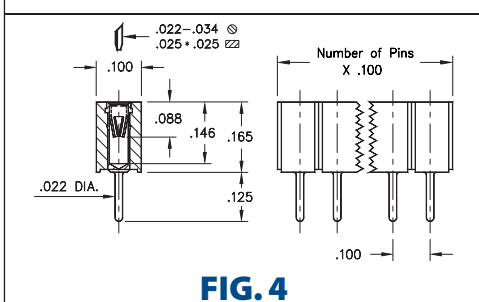


FIG. 4

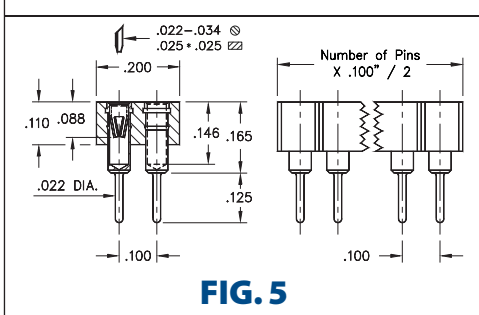


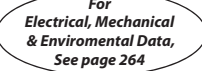





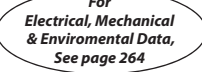






FIG. 5

- Series 350 and 450 single and double row pin headers use MM #0290 pins. See page 215 for details
- Series 801 and 803 single and double row low profile sockets use MM #1303 receptacles. See page 180 for details
- Series 801 and 803 receptacles use Hi-Rel, 6-finger BeCu #16 contact rated at 4.5 amps. Receptacles accept .025" diameter and .025" square pins. See page 256 for details
- Insulators are high temperature thermoplastic, suitable for all soldering operations



ORDERING INFORMATION

FIG. 1	Series 350...001 Single Row .025" Pin / .018" Solder Tail	350-XX-1__-00-001000			
	Specify number of pins	01-64			
FIG. 2	Series 450...001 Double Row .025" Pin / .018" Solder Tail	450-XX-2__-00-001000			
	Specify number of pins	02-64			
					
SPECIFY PLATING CODE XX=		10 	90	40 	
Pin Plating 		10 μ" Au	200 μ" Sn/Pb	200 μ" Sn	
FIG. 3	Series 801...003 Low Profile Socket (short insulator)	801-XX-0__-10-003000			
	Specify number of pins	01-64			
FIG. 4	Series 801...013 Low Profile Socket (long insulator)	801-XX-0__-10-013000			
	Specify number of pins	01-36			
FIG. 5	Series 803...003 Double Row Low Profile Socket	803-XX-0__-10-003000			
	Specify number of pins	02-72			
					
SPECIFY PLATING CODE XX=				41 	43 
Sleeve (Pin) 				200 μ" Sn	200 μ" Sn
Contact (Clip) 				10 μ" Au	30 μ" Au



Mouser Electronics

Authorized Distributor

Click to View Pricing, Inventory, Delivery & Lifecycle Information:

Mill-Max:

[801-43-005-10-003000](#) [801-43-036-10-013000](#) [801-43-064-10-003000](#) [803-43-072-10-003000](#) [801-43-006-10-003000](#) [801-43-002-10-003000](#) [801-43-001-10-003000](#) [801-43-043-10-003000](#) [450-10-202-00-001000](#) [801-41-005-10-013000](#) [801-41-003-10-003000](#) [801-41-010-10-013000](#) [801-41-005-10-003000](#) [801-41-015-10-013000](#) [801-43-001-10-013000](#) [801-43-003-10-003000](#) [801-43-005-10-013000](#) [801-43-024-10-003000](#) [803-41-014-10-003000](#) [803-41-020-10-003000](#) [803-43-010-10-003000](#) [803-43-064-10-003000](#) [803-43-026-10-003000](#) [801-41-064-10-003000](#)