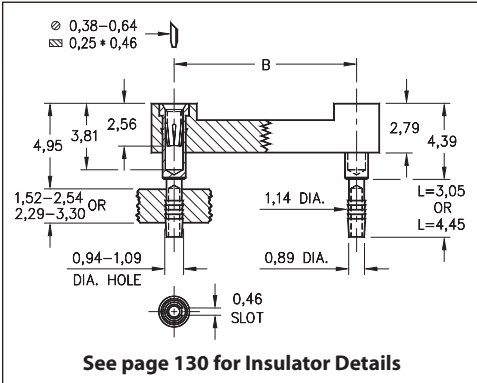
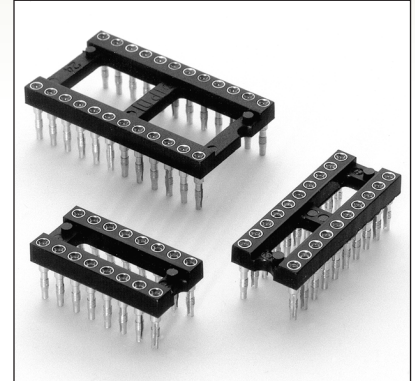


DUAL-IN-LINE SOCKETS

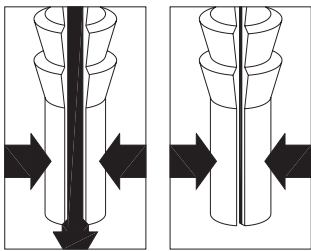
SERIES 146 • SOLDERLESS PRESS-FIT, COMPLIANT TAIL • OPEN FRAME



- Unique compliant tail pins conform to a $1,02 \pm 0,76$ finished plated through hole diameter without stressing inner layers
- Two tails lengths are offered for 1,52 - 2,54 and 2,29 - 3,30 thick panels
- Series 146 uses MM #4612 or MM #4613 pins with a BeCu #30 contact, rated at 3 amps. See page 162 for details
- Insulators are high temperature thermoplastic
- For Electrical, Mechanical and Environmental Data, see page 264 for details



APPLICATION OF COMPLIANT TAIL PINS



Mill-Max's patented* precision-machined pins feature compliant tails that are hollow and slotted to conform to a $1,02 \pm 0,76$ diameter PTH. As the pin is inserted, the slot compresses to fit the PTH, thus avoiding damage (see illustration at left). The pin's tail has fine serrations that form a perfect "gas tight" connection that doesn't require soldering. And since the pin doesn't damage the hole, compliant tail sockets and connectors can be easily replaced.

*Patent No. 4,799,904.

Total number of pins				Quantity per tube	ORDERING INFORMATION			
	A	B	C		L = 3,05 (for 1,52 - 2,54 thick panel)	L = 4,45 (for 2,29 - 3,30 thick panel)		
6	7,6	7,62	10,1	67	146-XX-306-41-012000	146-XX-306-41-013000		
8	10,1	7,62	10,1	50	146-XX-308-41-012000	146-XX-308-41-013000		
14	17,7	7,62	10,1	28	146-XX-314-41-012000	146-XX-314-41-013000		
16	20,3	7,62	10,1	25	146-XX-316-41-012000	146-XX-316-41-013000		
18	22,8	7,62	10,1	22	146-XX-318-41-012000	146-XX-318-41-013000		
20	25,3	7,62	10,1	20	146-XX-320-41-012000	146-XX-320-41-013000		
24	30,4	7,62	10,1	16	146-XX-324-41-012000	146-XX-324-41-013000		
22	27,8	10,16	12,7	18	146-XX-422-41-012000	146-XX-422-41-013000		
24	30,4	15,24	17,7	16	146-XX-624-41-012000	146-XX-624-41-013000		
28	35,5	15,24	17,7	14	146-XX-628-41-012000	146-XX-628-41-013000		
32	40,6	15,24	17,7	12	146-XX-632-41-012000	146-XX-632-41-013000		
40	50,8	15,24	17,7	10	146-XX-640-41-012000	146-XX-640-41-013000		
SPECIFY PLATING CODE XX =					91	93	41	43
Sleeve (Pin)					5,08µm Sn/Pb	5,08µm Sn/Pb	5,08µm Sn	5,08µm Sn
Contact (Clip)					0,25µm Au	0,25µm Au	0,25µm Au	0,25µm Au



XX=Plating Code
See Below



Mouser Electronics

Authorized Distributor

Click to View Pricing, Inventory, Delivery & Lifecycle Information:

Mill-Max:

[146-93-640-41-013000](#) [146-93-640-41-012000](#) [146-93-632-41-013000](#) [146-93-632-41-012000](#) [146-93-628-41-013000](#) [146-93-628-41-012000](#) [146-93-624-41-013000](#) [146-93-624-41-012000](#) [146-93-422-41-013000](#) [146-93-422-41-012000](#) [146-93-324-41-013000](#) [146-93-324-41-012000](#) [146-93-320-41-013000](#) [146-93-320-41-012000](#) [146-93-318-41-013000](#) [146-93-318-41-012000](#) [146-93-316-41-013000](#) [146-93-316-41-012000](#) [146-93-314-41-013000](#) [146-93-314-41-012000](#) [146-93-308-41-013000](#) [146-93-308-41-012000](#) [146-93-306-41-013000](#) [146-93-306-41-012000](#) [146-43-640-41-013000](#) [146-43-640-41-012000](#) [146-43-632-41-013000](#) [146-43-632-41-012000](#) [146-43-628-41-013000](#) [146-43-628-41-012000](#) [146-43-624-41-013000](#) [146-43-624-41-012000](#) [146-43-422-41-013000](#) [146-43-422-41-012000](#) [146-43-324-41-013000](#) [146-43-324-41-012000](#) [146-43-320-41-013000](#) [146-43-320-41-012000](#) [146-43-318-41-013000](#) [146-43-318-41-012000](#) [146-43-316-41-013000](#) [146-43-316-41-012000](#) [146-43-314-41-013000](#) [146-43-314-41-012000](#) [146-43-306-41-013000](#) [146-43-306-41-012000](#) [146-91-306-41-013000](#) [146-91-314-41-013000](#) [146-91-316-41-013000](#) [146-91-318-41-013000](#) [146-91-320-41-013000](#) [146-91-324-41-012000](#) [146-91-324-41-013000](#) [146-91-422-41-012000](#) [146-91-422-41-013000](#) [146-91-624-41-012000](#) [146-91-624-41-013000](#) [146-91-316-41-012000](#) [146-91-320-41-012000](#) [146-91-306-41-012000](#) [146-91-314-41-012000](#) [146-91-318-41-012000](#) [146-91-308-41-012000](#)