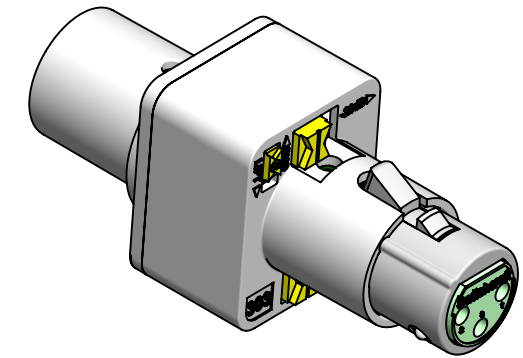
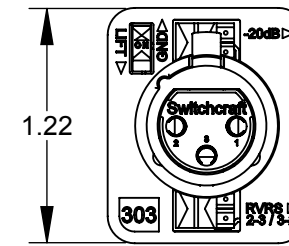
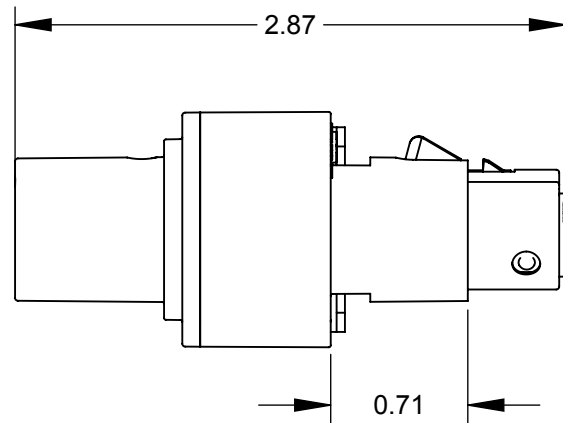
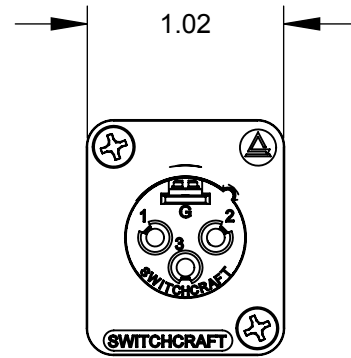




PACKAGED UNIT



**SPECIFICATIONS:**

**HOUSING**

- DIECAST ZINC ALLOY, NICKEL PLATED.

**CONNECTORS**

- INPUT: SWITCHCRAFT 3-PIN FEMALE CONNECTOR WITH LATCHING MECHANISM.
- OUTPUT: SWITCHCRAFT 3-PIN MALE CONNECTOR WITH LATCHING UNDERCUT.

**FUNCTIONS**

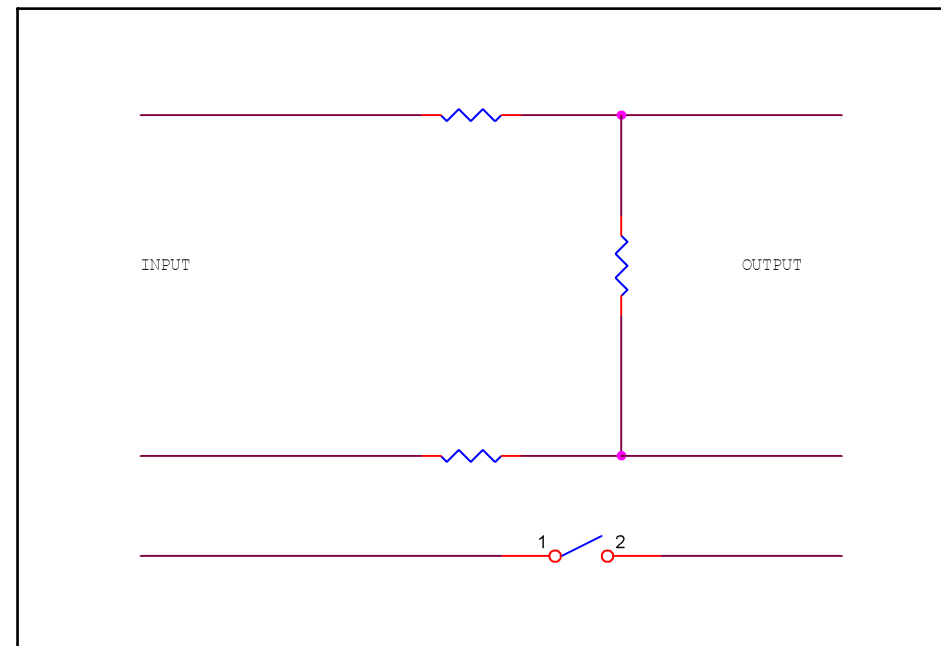
- -20dB PAD.
- POLARITY INVERSE.
- GROUND LIFT.

**SWITCHES SPECIFICATIONS**

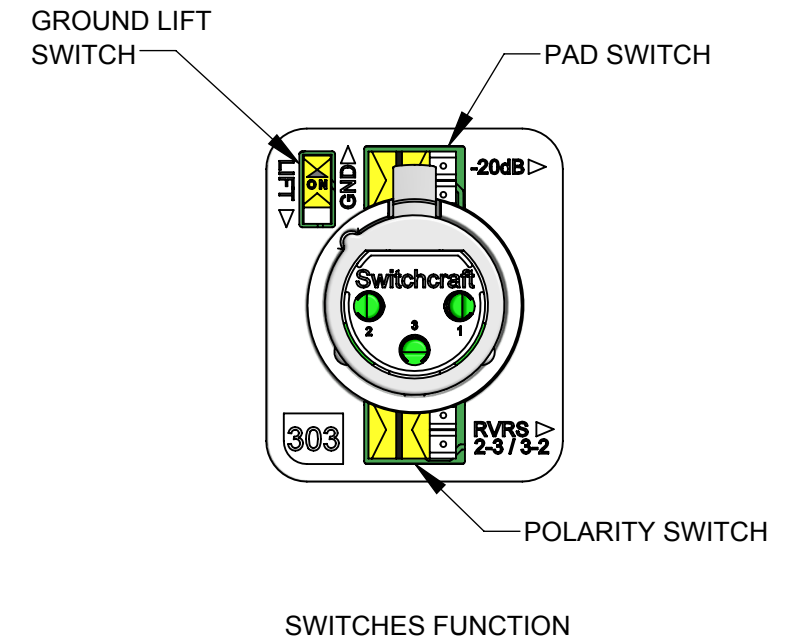
- SWITCHING RATING: 1A, 100V.
- PLATING: GOLD.
- NON-SHORTING BBM.

**GENERAL SPECIFICATIONS**

- PAD INPUT IMPEDANCE: 1657 OHM WITH 1K OHM LOAD.
- PAD OUTPUT IMPEDANCE: 167 OHM WITH 150 OHM SOURCE.
- PAD CMRR GREATER THAN 90dB AT 10KHz.
- PAD BALANCED LINE MAXIMUM IMPEDANCE MISMATCH: 0.2%.
- RoHS COMPLIANT.




CIRCUIT DIAGRAM  
PAD: ON, REVERSE: OFF, GROUND: LIFT



SWITCHES FUNCTION

**CUSTOMER DRAWING**

					THIS DRAWING DESCRIBES A DESIGN CONSIDERED PROPRIETARY IN NATURE, DEVELOPED AND MANUFACTURED BY SWITCHCRAFT INC. AND IS RELEASED ON A CONFIDENTIAL BASIS FOR IDENTIFICATION PURPOSES ONLY.						
					SIZE *	WIDTH *	MULT *	LBS/M *	TEMPER *		
					FINISH *			MATERIAL *			
					SPEC No. *			SPEC No. *			
					FIRST USED ON *		SCALE				
0A	PRELIMINARY	6/20/17	NS	SRC	DATE DRAWN	BY	CHKD	APVD			
REV	ECO NUMBER	DATE	BY	APVD	6/20/17	NS	NS	6/20/17			
REVISIONS					DO NOT SCALE DRAWING					SHEET 1 OF 1	
					NAME			PART No.		REV	
					303 AUDIOFIX			303		0A	

# Mouser Electronics

Authorized Distributor

Click to View Pricing, Inventory, Delivery & Lifecycle Information:

[Switchcraft:](#)

[303B](#) [303](#)