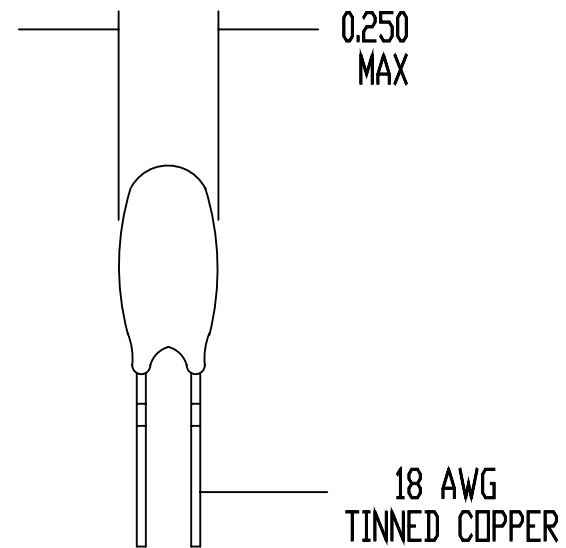
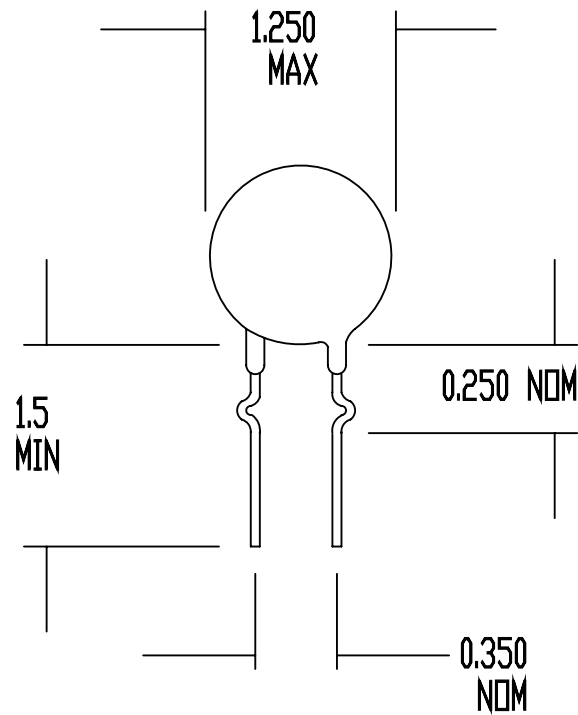



REV	DATE	ECD#
A	11/09/06	30650

DRAWING NOT TO SCALE
ALL DIMENSIONS IN INCHES



SPECIFICATIONS:

RESISTANCE AT 25 DEG C = 1 OHM +/- 25%
 MAXIMUM CONTINUOUS CURRENT (I_{max}) = 30 AMPS
 RESISTANCE AT I_{max} = 0.015 OHMS NOMINAL
 MAXIMUM VOLTAGE RATING = 265 VAC (RMS)
 MAXIMUM SURGE RATING = 157 JOULES
 ENCAPSULATION = SILICONE RESIN
 MARKING = OPTIONAL
 LEADS = RODAN P/N STL-309-54 (OR STL-309-35)

DRAWN BY D. NGUYEN		 Circuit Protection Thermistors
DATE 11/05/90	ORIG. F. TISED	
REV A	APP	SURGE-GARD INRUSH CURRENT LIMITER
SHEET 1 OF 1		SG328

Mouser Electronics

Authorized Distributor

Click to View Pricing, Inventory, Delivery & Lifecycle Information:

[Ametherm:](#)

[SG328](#)