

PLEASE CHECK WWW.MOLEX.COM FOR LATEST PART INFORMATION

Part Number: [0358431225](#)
Status: **Active**
Overview: Automotive Bulb Sockets
Description: PT Bulb Socket, Sealed, Single Housing Assembly, Type C, Gray

Documents:

[3D Model](#) [Packaging Specification PK-35843-001-001 \(PDF\)](#)
[3D Model \(PDF\)](#) [RoHS Certificate of Compliance \(PDF\)](#)
[Drawing \(PDF\)](#)

General

Product Family	Other Sockets
Series	35843
Comments	C-Type
Component Type	Socket
Overview	Automotive Bulb Sockets
Product Name	Bulb Socket
UPC	756054269961

Physical

Circuits (Loaded)	2
Circuits (maximum)	2
Color - Resin	Gray
Durability (mating cycles max)	30
Entry Angle	Vertical
Keying to Mating Part	None
Material - Resin	Nylon
Net Weight	10.698/g
PCB Locator	No
PCB Retention	N/A
Packaging Type	Bag
Pitch - Mating Interface	N/A
Temperature Range - Operating	-40° to +105°C
Termination Interface: Style	Through Hole

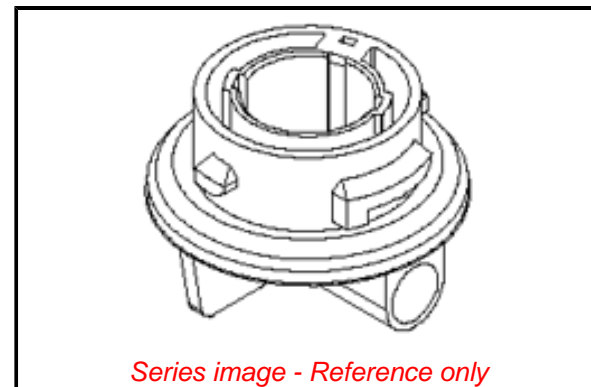
Electrical

Current - Maximum per Contact	5.0A, 7.0A
Voltage - Maximum	12V

Material Info

Reference - Drawing Numbers

Packaging Specification	PK-35843-001-001
Sales Drawing	SD-35843-003-001



EU ELV

Compliant

EU RoHS

Compliant

REACH SVHC

Not Contained Per -
D(2020)4578-DC (25
June 2020)

Halogen-Free

Status

Low-Halogen

For more information, please visit [Contact US](#)

China ROHS

Not Relevant

ELV

Compliant

RoHS Phthalates

Not Contained

Search Parts in this Series

[35843 Series](#)

Mates With

Lamp

Use With

Positive Terminal for PT Bulb Socket
[354648000](#)
Earth Terminal for PT Bulb
 Socket [354658000](#)
Positive Wire Seal
[359030096](#)
Earth Wire Seal [359030106](#)

Mouser Electronics

Authorized Distributor

Click to View Pricing, Inventory, Delivery & Lifecycle Information:

[Molex:](#)

[35843-1225](#)