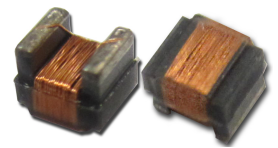


WIRE WOUND INDUCTOR - CERAMIC or FERRITE

AISC-1008(F)



RoHS
Compliant



2.92 x 2.79 x 2.29mm

FEATURES:

- Exceptional high Q and SRF for high frequency applications
- Excellent DCR and current carrying characteristics
- Small size suitable for surface mounting
- Epoxy coating protects wound wire

APPLICATIONS:

- Widely applied in mobile phones such as GSM, CDMA, PDC, etc.
- Bluetooth, W-LAN, Broadband Network
- High Frequency Communication Circuits
- Video cameras, liquid crystal television, and other electronic devices

STANDARD SPECIFICATIONS:

Abracon Part Number	L (nH)	L. Test		Q Min	Q Test Freq (MHz)	SRF Min (MHz)	R _{DC} Max (Ω)	I _{DC} Max (mA)
		Freq (MHz)	Tolerance (±%)					
AISC-1008-R0047	4.7	50	10.2 0	60	150 0	>600 0	0.11	1000
AISC-1008-R010	10	50	5.10,2 0	50	500	410 0	0.08	1000
AISC-1008-R012	12	50	5.10,2 0	50	500	340 0	0.09	1000
AISC-1008-R015	15	50	5.10,2 0	50	500	260 0	0.13	1000
AISC-1008-R018	18	50	5.10,2 0	50	350	260 0	0.11	1000
AISC-1008-R022	22	50	2.5,10,2 0	55	350	240 0	0.12	1000
AISC-1008-R027	27	50	2.5,10,2 0	55	350	170 0	0.13	1000
AISC-1008-R033	33	50	2.5,10,2 0	60	350	170 0	0.14	1000
AISC-1008-R039	39	50	2.5,10,2 0	60	350	160 0	0.15	1000
AISC-1008-R047	47	50	2.5,10,2 0	70	350	160 0	0.16	1000
AISC-1008-R056	56	50	2.5,10,2 0	70	350	140 0	0.18	1000
AISC-1008-R068	68	50	2.5,10,2 0	65	350	120 0	0.21	1000
AISC-1008-R082	82	50	2.5,10,2 0	65	350	100 0	0.22	1000
AISC-1008-R10	100	25	2.5,10,2 0	60	350	100 0	0.56	650
AISC-1008-R12	120	25	2.5,10,2 0	60	350	100 0	0.63	650
AISC-1008-R15	150	25	2.5,10,2 0	45	100	85 0	0.62	580
AISC-1008-R18	180	25	2.5,10,2 0	45	100	80 0	0.70	620
AISC-1008-R22	220	25	2.5,10,2 0	45	100	70 0	0.80	500
AISC-1008-R27	270	25	2.5,10,2 0	45	100	70 0	0.91	500
AISC-1008-R33	330	25	2.5,10,2 0	45	100	60 0	1.05	450
AISC-1008-R39	390	25	2.5,10,2 0	45	100	50 0	1.12	470
AISC-1008-R47	470	25	2.5,10,2 0	45	100	50 0	1.19	470
AISC-1008-R56	560	25	2.5,10,2 0	45	100	45 0	1.33	400
AISC-1008-R62	620	25	2.5,10,2 0	45	100	41 5	1.40	300
AISC-1008-R68	680	25	2.5,10,2 0	45	100	37 5	1.47	400
AISC-1008-R75	750	25	2.5,10,2 0	45	100	36 0	1.54	360
AISC-1008-R82	820	25	2.5,10,2 0	45	100	35 0	1.61	400
AISC-1008-R91	910	25	2.5,10,2 0	40	50	32 0	1.68	380
AISC-1008-1R0	1.00 0	25	2.5,10,2 0	35	50	29 0	1.75	370
AISC-1008-1R2	1.20 0	7.9	2.5,10,2 0	35	50	25 0	2.00	310
AISC-1008-1R5	1.50 0	7.9	2.5,10,2 0	28	50	20 0	2.30	330
AISC-1008-1R8	1.80 0	7.9	2.5,10,2 0	28	50	16 0	2.60	300
AISC-1008-2R2	2.20 0	7.9	2.5,10,2 0	28	50	12 0	2.80	280
AISC-1008-2R7	2.70 0	7.9	2.5,10,2 0	22	25	10 0	3.20	290
AISC-1008-3R3	3.30 0	7.9	2.5,10,2 0	22	25	8 0	3.40	260
AISC-1008-3R9	3.90 0	7.9	2.5,10,2 0	20	25	6 0	3.60	260
AISC-1008-4R7	4.70 0	7.9	2.5,10,2 0	20	25	6 0	4.00	250
AISC-1008-5R6	5.60 0	7.9	5.10,2 0	20	25	6 0	5.70	220
AISC-1008-6R8	6.80 0	7.9	5.10,2 0	20	25	6 0	7.70	180
AISC-1008-8R2	8.20 0	7.9	5.10,2 0	20	25	5 0	10.7	150
AISC-1008F-1R2	1.20 0	7.9	5.10,20	48	50	21 0	0.70	650
AISC-1008F-1R5	1.50 0	7.9	5.10,20	41	50	19 0	0.75	630
AISC-1008F-1R8	1.80 0	7.9	5.10,20	39	50	17 0	0.84	600
AISC-1008F-2R2	2.20 0	7.9	5.10,20	34	50	15 0	1.15	520
AISC-1008F-2R7	2.70 0	7.9	5.10,20	34	50	10 0	1.28	490
AISC-1008F-3R3	3.30 0	7.9	5.10,20	32	50	10 0	1.46	450
AISC-1008F-3R9	3.90 0	7.9	5.10,20	32	7.9	7 0	1.56	420
AISC-1008F-4R7	4.70 0	7.9	5.10,20	31	7.9	6 0	1.68	400
AISC-1008F-5R6	5.60 0	7.9	5.10,20	23	7.9	5 0	1.82	380
AISC-1008F-6R8	6.80 0	7.9	5.10,20	31	7.9	4 0	2.00	360
AISC-1008F-8R2	8.20 0	7.9	5.10,20	23	7.9	4 0	2.65	330
AISC-1008F-100	10.00 0	7.9	5.10,20	31	7.9	4 0	2.95	300

PARAMETERS

ABRACON P/N:
AISC-1008(F)-xxx

Operating temperature:
-40°C to + 125°C

Storage temperature:
-10°C to + 40°C, 70% RH max.

Test Equipment:

1. Inductance and Q-factor measured using HP4287A and 16197 Testing Fixture.
2. R_{dc} measured using a Agilent 4287A with 16197 test fixture
3. SRF measured using Agilent E5071B network Analyzer

ABRACON IS
ISO 9001 :2008
CERTIFIED



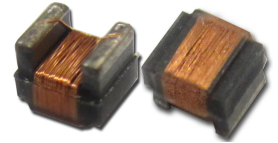
ABRACON
CORPORATION

Visit www.abracon.com for Terms & Conditions of Sale

30332 Esperanza, Rancho Santa Margarita, California 92688
tel 949-546-8000 | fax 949-546-8001 | www.abracon.com

Revised: 07.19.12

WIRE WOUND INDUCTOR - CERAMIC or FERRITE



2.92 x 2.79 x 2.29mm

AISC-1008(F)



OPTIONS AND PART IDENTIFICATION:

(Left blank if standard)

AISC-1008 - - -

Material Code
Blank: Ceramic
F: Ferrite

Inductance Code
Please refer to the table

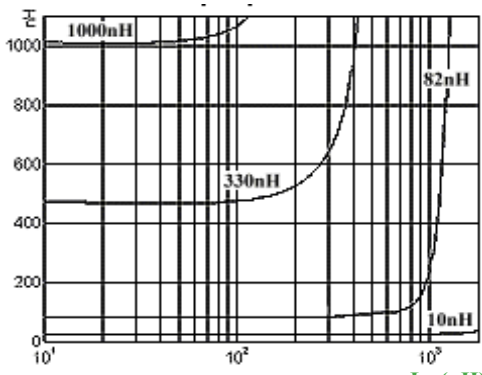
Tolerance Code
G: ±2%
J: ±5%
K: ±10%
M: ±20%

Terminal Option
Blank: Tin-Ni
Z: Au-Ni

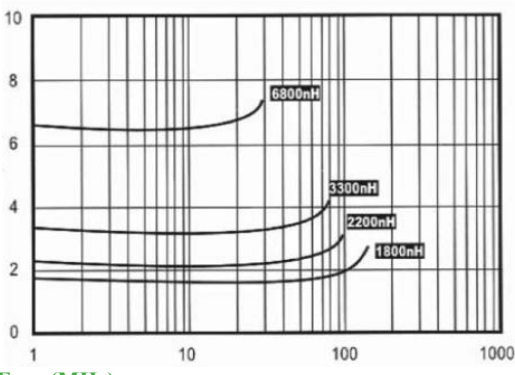
Packaging
T: Tape & Reel

ELECTRICAL PROPERTIES:

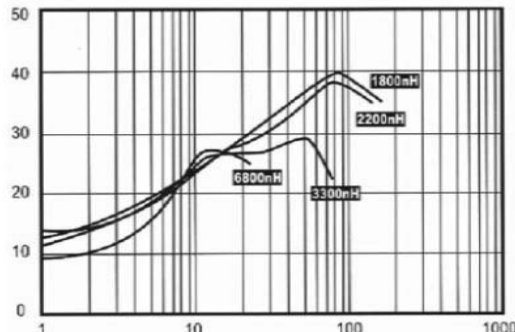
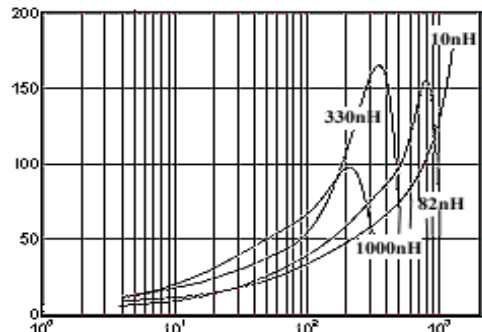
AISC-1008:



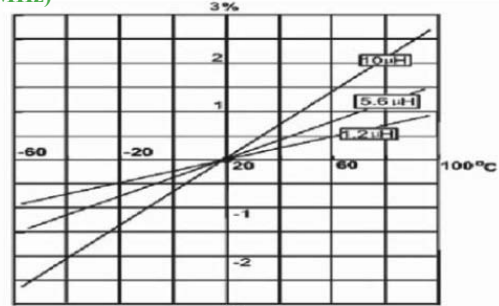
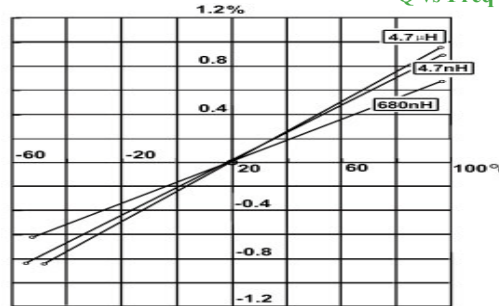
AISC-1008(F):



Ls (nH) vs Freq (MHz)



Q vs Freq (MHz)



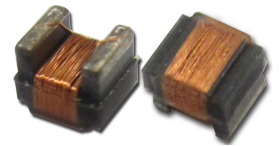
Temperature Characteristic

ABRACON IS
ISO 9001 :2008
CERTIFIED



Visit www.abracon.com for Terms & Conditions of Sale
30332 Esperanza, Rancho Santa Margarita, California 92688
tel 949-546-8000 | fax 949-546-8001 | www.abracon.com
Revised: 07.19.12

WIRE WOUND INDUCTOR - CERAMIC or FERRITE



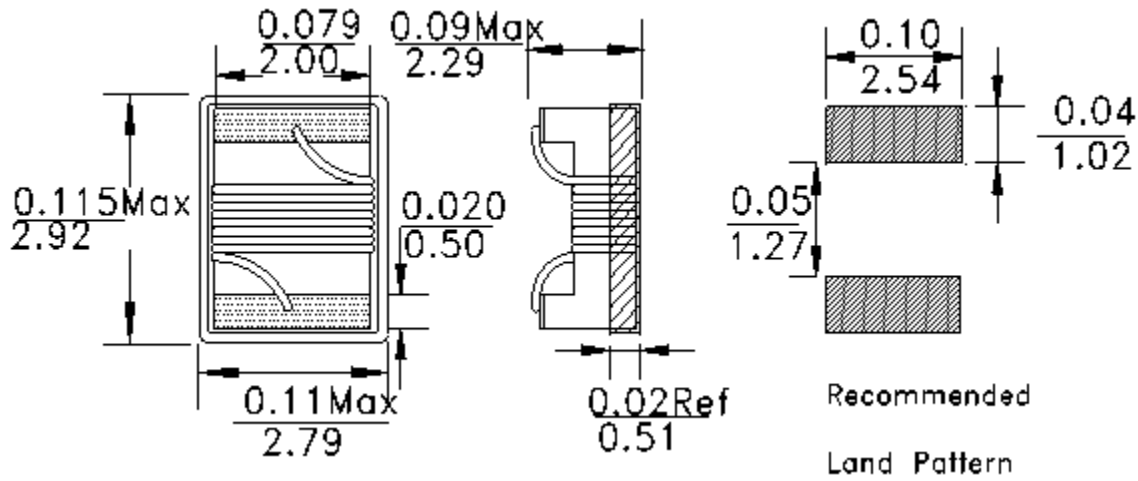
2.92 x 2.79 x 2.29mm

AISC-1008(F)



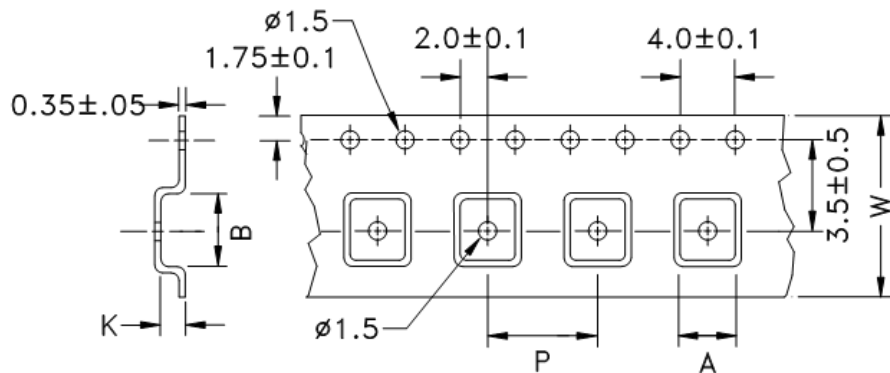
RoHS
Compliant

OUTLINE DRAWING:

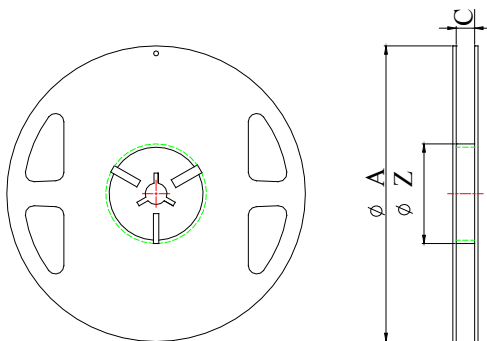


Dimensions: Inches/ mm

TAPE & REEL: Tape and reel 2,000pcs/reel



ABRACON P/N	A (mm)	B (mm)	K (mm)	P (mm)	W (mm)	PCS/REEL
AISC-1008(F)	2.9	3.1	2.31	4	8	2,000



Series	A	C	Z
AISC-1008(F)	178±2.0	8.4±1.5	60±1.0

Dimensions: mm

ABRACON IS
ISO 9001:2008
CERTIFIED



Visit www.abracon.com for Terms & Conditions of Sale **Revised: 07.19.12**
30332 Esperanza, Rancho Santa Margarita, California 92688
tel 949-546-8000 | fax 949-546-8001 | www.abracon.com