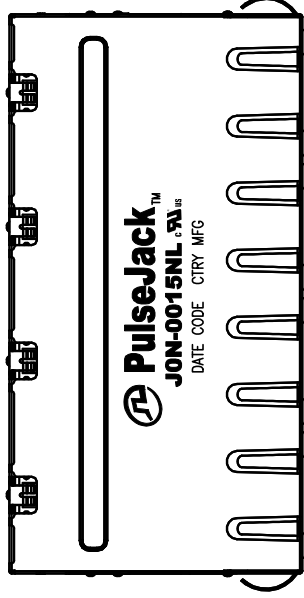
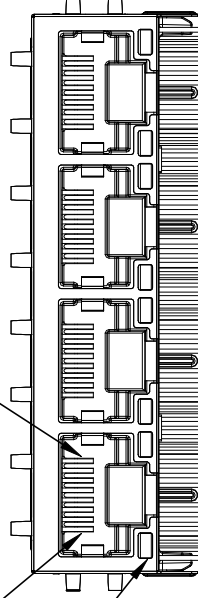


NOTES:

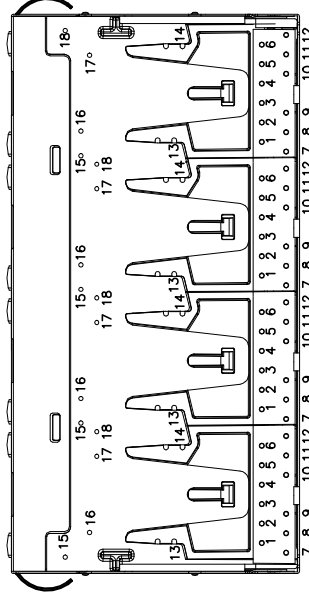
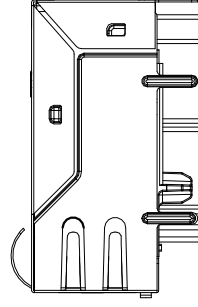
1. ROHS COMPLIANT
2. PLASTIC HOUSING: THERMOPLASTIC MATERIAL WITH FLAMMABILITY RATING UL 94V-0 OR BETTER.
3. CONTACTS PLATING: 50 MICROINCHES GOLD PLATING.
4. CONTACTS BASE MATERIAL: PHOSPHOR BRONZE
5. UNDER PLATING: 30-50u INCHES NICKEL
6. SOLDER TAIL PLATING : 200-500 uINCHES 100% TIN, MATTE FINISH.
7. METAL SHIELD: NICKEL PLATING ON COPPER ALLOY.
8. JACK CAVITY CONFORMS TO FCC PART 68 SUBPART.
9. PCB PLATING: HASL
10. STORAGE TEMPERATURE: -20°C TO +125°C
11. COMPLIANCE TO J-STD:
 - A. J-STD-002: SOLDERABILITY AT 245°C DIP AND LOOK TEST
 - B. J-STD-020: LEVEL 1, NO MOISTURE SENSITIVE
 - C. J-STD-075: W2, 270°C MAXIMUM THROUGH WAVE SOLDER



PIN 1 — PIN 8



LED GREEN/YELLOW
(8 PLACES)



FINAL OUTLINE

© Copyright, 2021. Pulse Electronics Corp. All rights reserved. Pulse confidential & proprietary. (12/16/21)

PRODUCT DESCRIPTION	TLA DRAWING	PS DRAWING	SHEET	PART NO.	DATASHEET REV.
CONN,RJ45,1X4,1GP,1:1,TY	JON-0015NL-11	PS-2476.007-A	1 OF 6	JON-0015NL	B

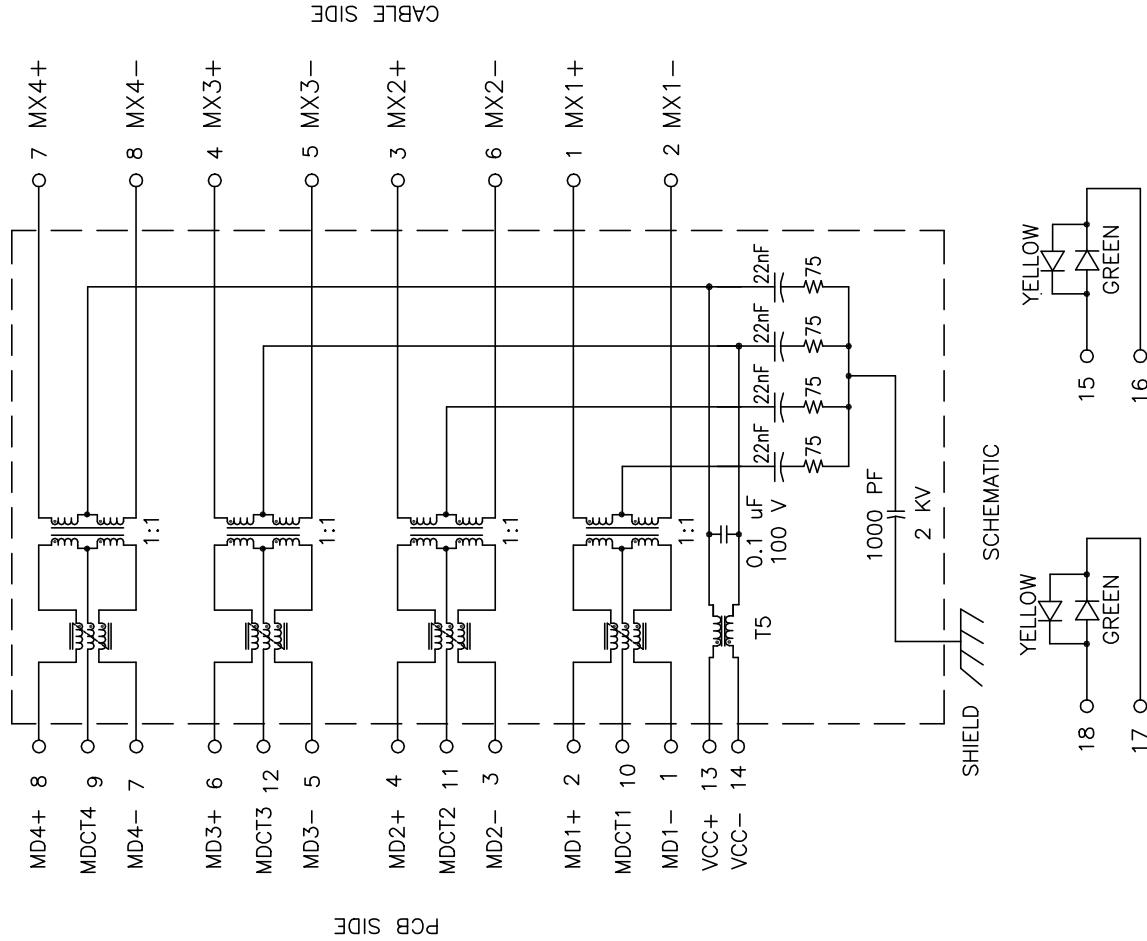
ELECTRICAL CHARACTERISTICS AT +25°C UNLESS OTHER SPECIFIED
MEETS IEEE 802.3 SPECIFICATION

PARAMETER	SPECIFICATIONS
OPERATING TEMPERATURE	0°C TO +70°C
TURNS RATIO	1.00 ± 2%
POLARITY	PER SCHEMATIC
INSERTION LOSS	1-100 MHz -1.2 dB MAX
RETURN LOSS (Z OUT = 100 OHM ±15%)	.1-40MHz 40-60MHz 60-80MHz 80-100MHz -16dB MIN -14.4dB MIN -12dB MIN -10 dB MIN
INDUCTANCE (OCL) AT 100 KHZ, 100 mVRMS (MEDIA SIDE, 0°C-70°C)	MX1,MX2 MX3,MX4 350 uH MIN @8mA DC 120 uH MIN @19mA DC
CROSSTALK, ADJACENT CHANNELS	1-100 MHz -35 dB TYPICAL
COMMON MODE REJECTION RATIO	2-100 MHz -30 dB MIN
DC RESISTANCE, 1/2 WINDING	.65 OHMS MAX
DC RESISTANCE IMBALANCE	±.065 OHMS MAX (CENTER TAP SYMMETRY)
DC CURRENT RATING	600 mA MAX
INPUT - OUTPUT ISOLATION	2250 VDC FOR 60 SECONDS

NOTE: f IS FREQUENCY IN MHZ.

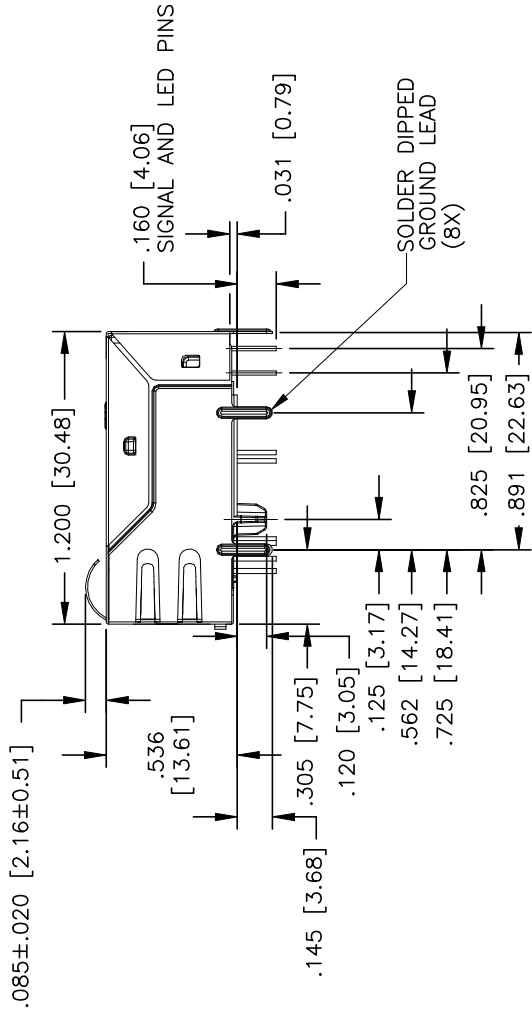
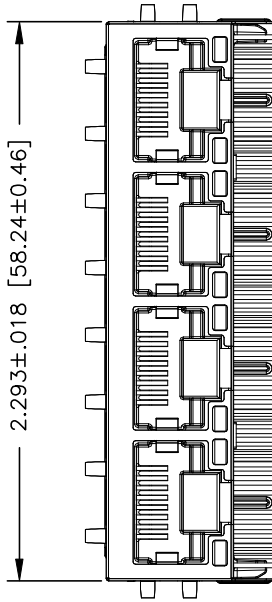
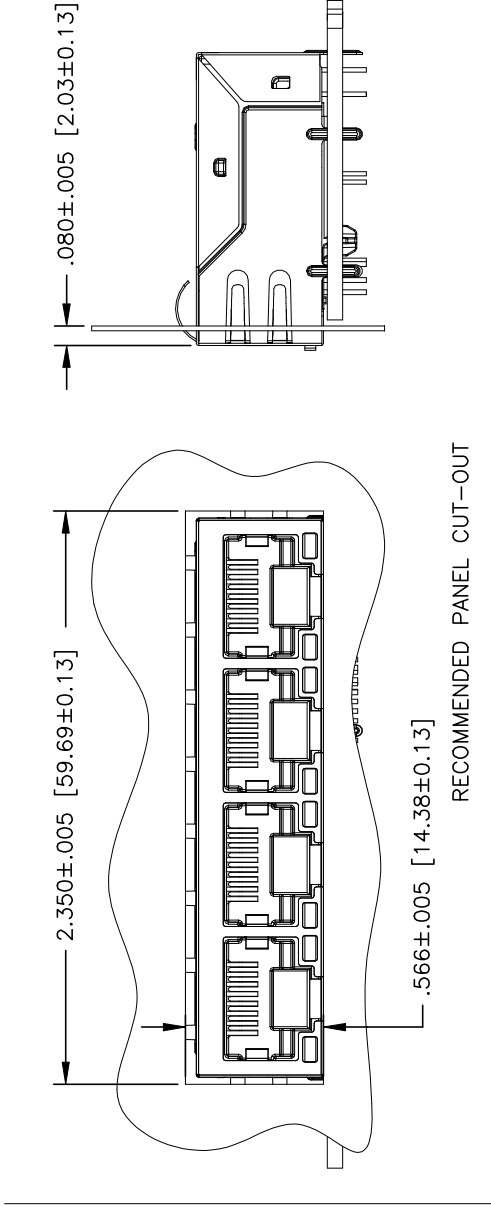
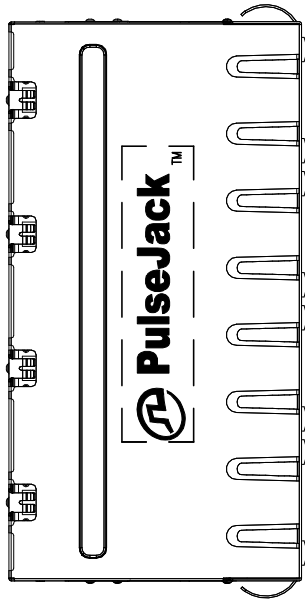
EMMITTED COLOR	GREEN	YELLOW
WAVELENGTH (nm)	570 nm	586 nm
BRIGHTNESS (mCD)	4 TYP. @ 20mA	10 TYP. @ 20 mA
VIEWING ANGLE	150°	150°
POWER DISSIPATION (Pd)	85 mW MAX	85 mW MAX
PEAK FORWARD CURRENT (10us PULSE)	120 MA MAX	80 MA MAX
FORWARD VOLTAGE (Vf)	2.2 TO 2.8 V	2.1 TO 2.8 V

NOTE: PER VENDOR'S SPECIFICATIONS



© Copyright, 2021. Pulse Electronics Corp. All rights reserved. Pulse confidential & proprietary. (12/16/21)

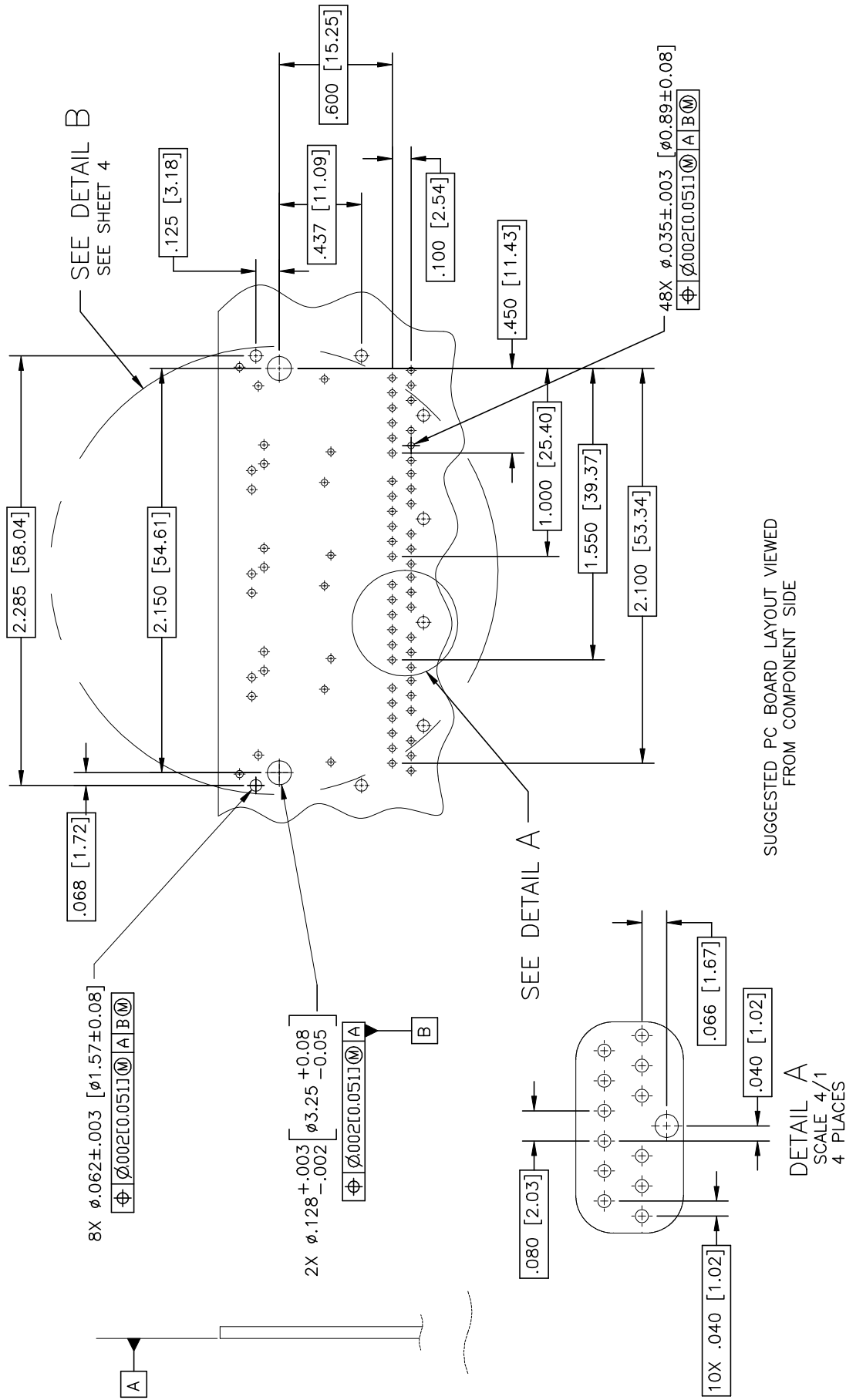
PRODUCT DESCRIPTION	TLA DRAWING	PS DRAWING	SHEET	PART NO.	DATASHEET REV.
CONN,RJ45,1X4,1GP,1:1,TY	JON-0015NL-11	PS-2476.007-A	2 OF 6	JON-0015NL	B



DIMENSIONS ARE IN INCHES [MILLIMETERS] WITH THE FOLLOWING TOLERANCES: [MILLIMETERS] ARE FOR REFERENCE ONLY.
 .XX = ±.02 [±0.5]
 .XXX = ±.010 [±0.25]

© Copyright, 2021. Pulse Electronics Corp. All rights reserved. Pulse confidential & proprietary. (12/16/21)

PRODUCT DESCRIPTION	TLA DRAWING	PS DRAWING	SHEET	PART NO.	DATASHEET REV.
CONN,RJ45,1X4,1GP,1:1,TY	JON-0015NL-11	PS-2476.007-A	3 OF 6	JON-0015NL	B

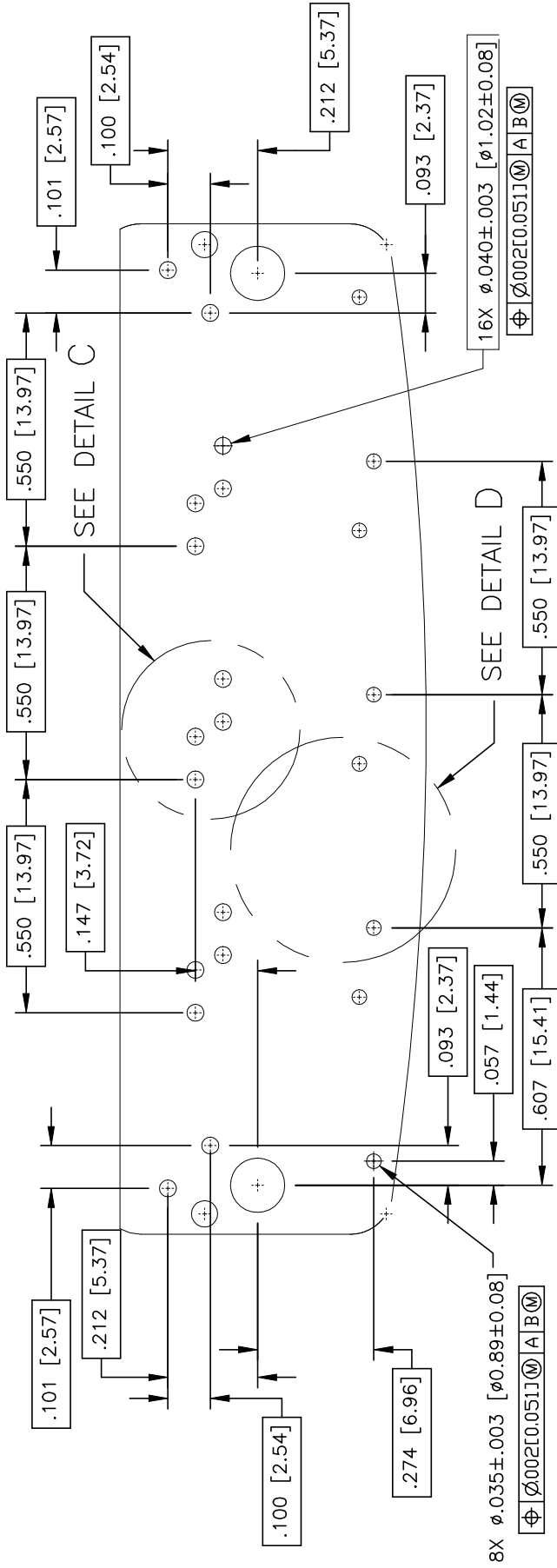


SUGGESTED PC BOARD LAYOUT VIEWED FROM COMPONENT SIDE

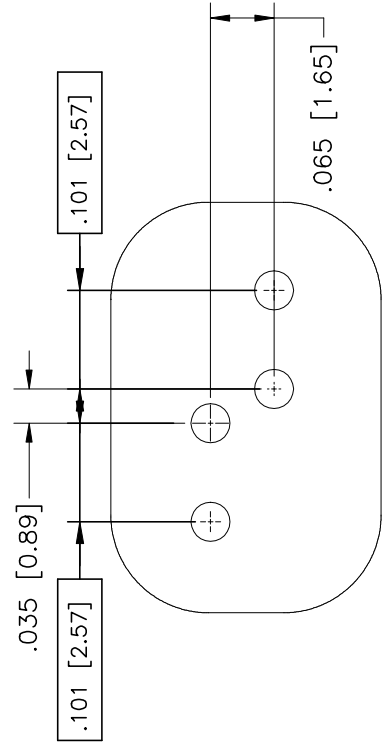
DIMENSIONS ARE IN INCHES [MILLIMETERS] WITH THE FOLLOWING TOLERANCES: [MILLIMETERS] ARE FOR REFERENCE ONLY.
 .XXX = ±.002 [±0.05]

© Copyright, 2021. Pulse Electronics Corp. All rights reserved. Pulse confidential & proprietary. (12/16/21)

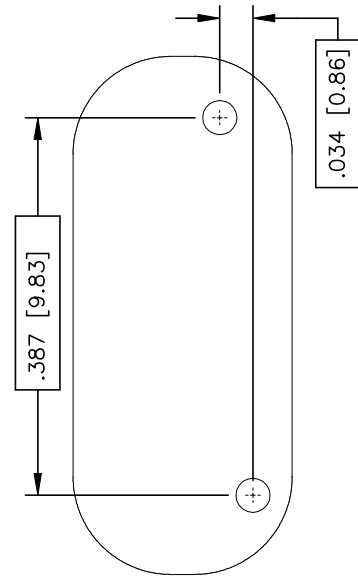
PRODUCT DESCRIPTION	TLA DRAWING	PS DRAWING	SHEET	PART NO.	DATASHEET REV.
CONN,RJ45,1X4,1GP,1:1,TY	JON-0015NL-11	PS-2476.007-A	4 OF 6	JON-0015NL	B



DETAIL B
SCALE 4/1
FROM SHEET 3



DETAIL C
SCALE 8/1



DETAIL D
SCALE 8/1

DIMENSIONS ARE IN INCHES [MILLIMETERS] WITH THE FOLLOWING TOLERANCES: [MILLIMETERS] ARE FOR REFERENCE ONLY.
.XXX = ±.002 [±0.05]

© Copyright, 2021. Pulse Electronics Corp. All rights reserved. Pulse confidential & proprietary. (12/16/21)

PRODUCT DESCRIPTION	TLA DRAWING	PS DRAWING	SHEET	PART NO.	DATASHEET REV.
CONN,RJ45,1X4,1GP,1:1,TY	JON-0015NL-11	PS-2476.007-A	5 OF 6	JON-0015NL B	B



CHANGE RECORD

REV	DESCRIPTION	DATE	APPROVED
A	NEW DS	22MAY14	-
B	UPDATE THE SIGNAL CODING ON PCB SIDE	16DEC21	STANYIN

© Copyright, 2021. Pulse Electronics Corp. All rights reserved. Pulse confidential & proprietary. (12/16/21)

PRODUCT DESCRIPTION	TLA DRAWING	PS DRAWING	SHEET	PART NO.	DATASHEET REV.
CONN,RJ45,1X4,1GP,1:1,TY	JON-0015NL-11	PS-2476.007-A	6 OF 6	JON-0015NL	B