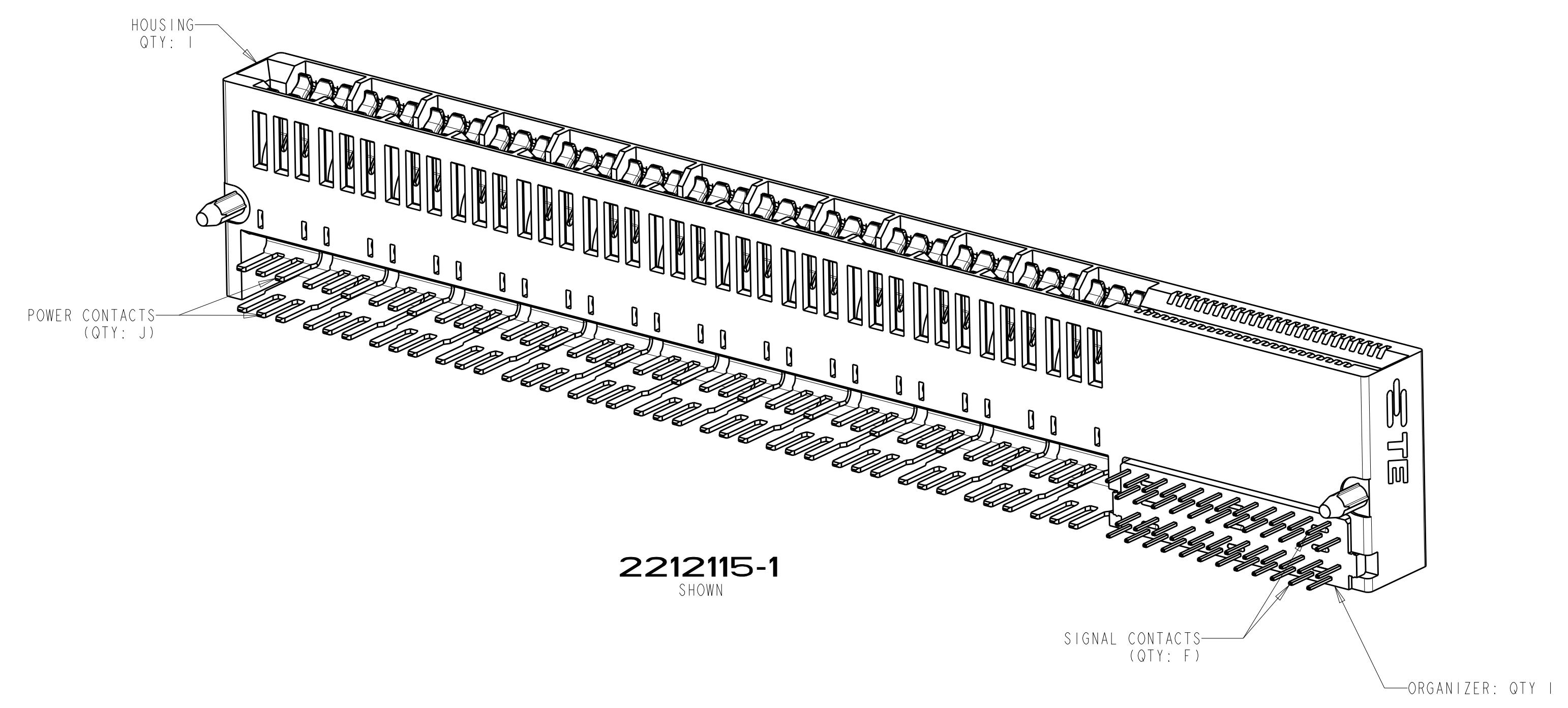


LOC	DIST	REVISIONS			
AA	00	REV	DATE	BY	APPV
		A	FIRST RELEASE	15JUL2016	SZ SZ

- MATERIAL: HOUSING - THERMOPLASTIC, GLASS REINFORCED, COLOR: BLACK.
CONTACT - COPPER ALLOY
- FINISH: CONTACT - GOLD PLATED OVER NICKEL.
SOLDER TAILS - MATTE TIN OVER NICKEL
- CONNECTOR ASSEMBLY MARKED WITH PART NUMBER AND DATE CODE IN THE APPROXIMATE AREA SHOWN
- DATUMS AND BASIC DIMENSIONS TO BE ESTABLISHED BY CUSTOMER
- MANUFACTURING TOLERANCE FOR 1.07mm DIAMETER FINISHED HOLE:
DRILLED HOLE = 1.15+/-0.03mm
COPPER PLATE = 0.050/0.025mm (MAX HARDNESS 150 KNOOP)
TIN/LEAD PLATE (HASL) = 0.010/0.004mm
- MANUFACTURING TOLERANCE FOR 0.70mm DIAMETER FINISHED HOLE:
DRILLED HOLE = 0.78+/-0.03mm
COPPER PLATE = 0.050/0.025mm (MAX HARDNESS 150 KNOOP)
TIN/LEAD PLATE (HASL) = 0.010/0.004mm



2.92	3.50	16.22	2.81	15.50	4	6.30	1.78	2	9.11	4	8	6	6	0	15.81	18.61	2 X 1 POWER 2 X 4 SIGNAL	1-2212115-4
2.92	3.50	36.74	13.07	36.02	10	16.56	6.04	6	29.63	12	20	18	18	4	36.33	39.13	2 X 3 POWER 2 X 10 SIGNAL	1-2212115-3
2.92	3.50	44.74	17.07	44.02	18	20.56	2.04	6	37.63	12	36	34	18	4	44.33	47.13	2 X 3 POWER 2 X 18 SIGNAL	1-2212115-2
2.92	3.50	31.48	10.44	30.76	12	13.93	1.41	4	24.37	8	24	22	12	2	31.07	33.87	2 X 2 POWER 2 X 12 SIGNAL	1-2212115-1
2.92	3.50	24.22	6.81	23.50	12	10.30	-2.22	2	17.11	4	24	22	6	0	23.81	26.61	2 X 1 POWER 2 X 12 SIGNAL	2212115-9
4.45	5.00	60.52	24.96	59.80	12	28.45	15.93	12	53.41	24	24	22	36	10	60.11	62.91	2 X 6 POWER 2 X 12 SIGNAL	2212115-8
2.92	3.50	60.52	24.96	59.80	12	28.45	15.93	12	53.41	24	24	22	36	10	60.11	62.91	2 X 6 POWER 2 X 12 SIGNAL	2212115-7
4.45	5.00	42.00	15.70	41.28	8	19.19	10.67	8	34.89	16	16	14	24	6	41.59	44.39	2 X 4 POWER 2 X 8 SIGNAL	2212115-6
2.92	3.50	42.00	15.70	41.28	8	19.19	10.67	8	34.89	16	16	14	24	6	41.59	44.39	2 X 4 POWER 2 X 8 SIGNAL	2212115-5
4.45	5.00	23.48	6.44	22.76	4	9.93	5.41	4	16.37	8	8	6	12	2	23.07	25.87	2 X 2 POWER 2 X 4 SIGNAL	2212115-4
2.92	3.50	23.48	6.44	22.76	4	9.93	5.41	4	16.37	8	8	6	12	2	23.07	25.87	2 X 2 POWER 2 X 4 SIGNAL	2212115-3
4.45	5.00	123.34	56.37	122.62	24	59.86	35.34	26	116.23	52	48	46	78	24	122.93	125.73	2 X 13 POWER X 2 X 24 SIGNAL	2212115-2
2.92	3.50	123.34	56.37	122.62	24	59.86	35.34	26	116.23	52	48	46	78	24	122.93	125.73	2 X 13 POWER X 2 X 24 SIGNAL	2212115-1
EE	DD	R	P	N	M	L	K	J	H	G	F	E	D	C	B	A	DESCRIPTION	PART NUMBER

THIS DRAWING IS A CONTROLLED DOCUMENT.

DIMENSIONS: mm

TOLERANCES UNLESS OTHERWISE SPECIFIED:

0 PLC	±
1 PLC	±0.5
2 PLC	±0.25
3 PLC	±
4 PLC	±
ANGLES	±0.5°

MATERIAL: SEE NOTE 1

FINISH: SEE NOTE 2

APPROVED: S. FLICKINGER

DATE: 01MAR2013

PRODUCT SPEC: -

APPLICATION SPEC: -

WEIGHT: -

CUSTOMER DRAWING

STC TE Connectivity

NAME: CONNECTOR ASSEMBLY, MULTI-BEAM CE, POWER/SIGNAL, RIGHT ANGLE, SOLDER MOUNT

SIZE: A1

CAGE CODE: 00779

DRAWING NO: 2212115

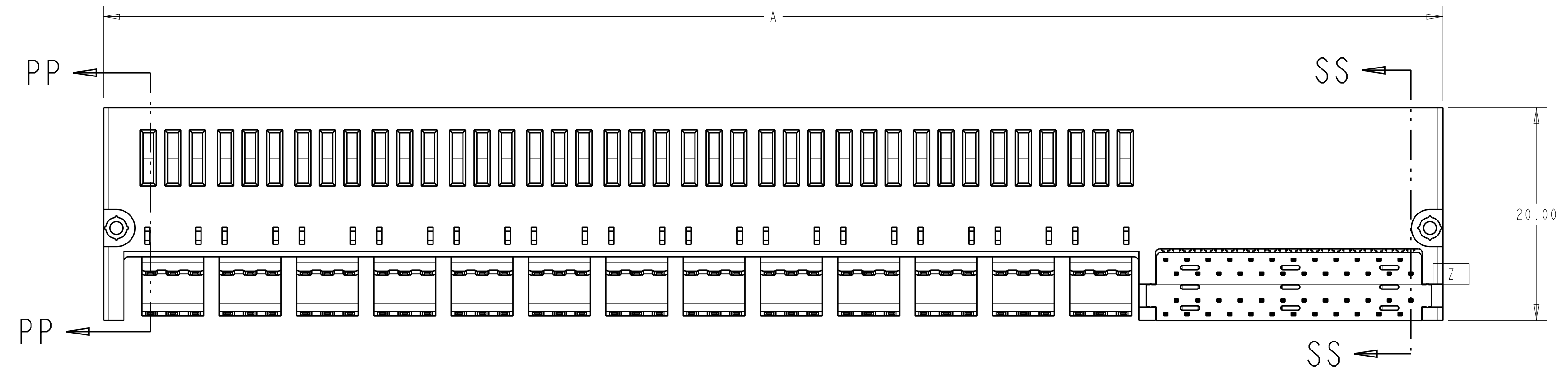
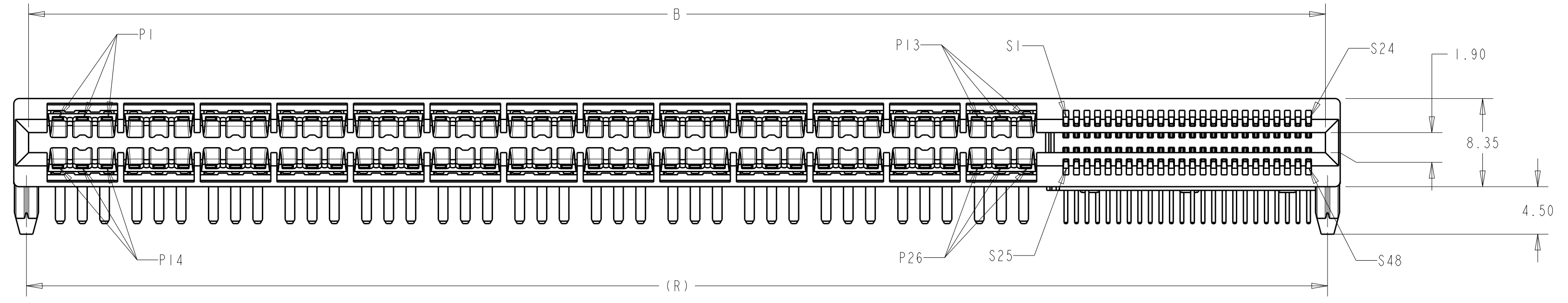
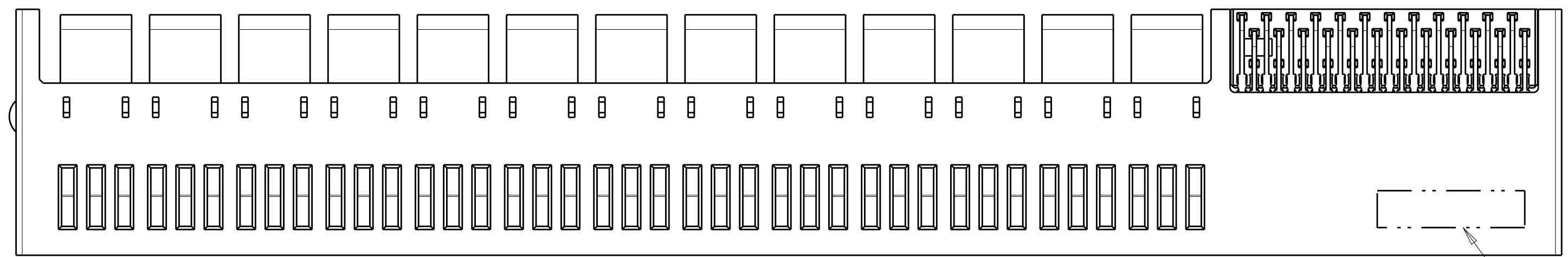
RESTRICTED TO: -

SCALE: 3:1

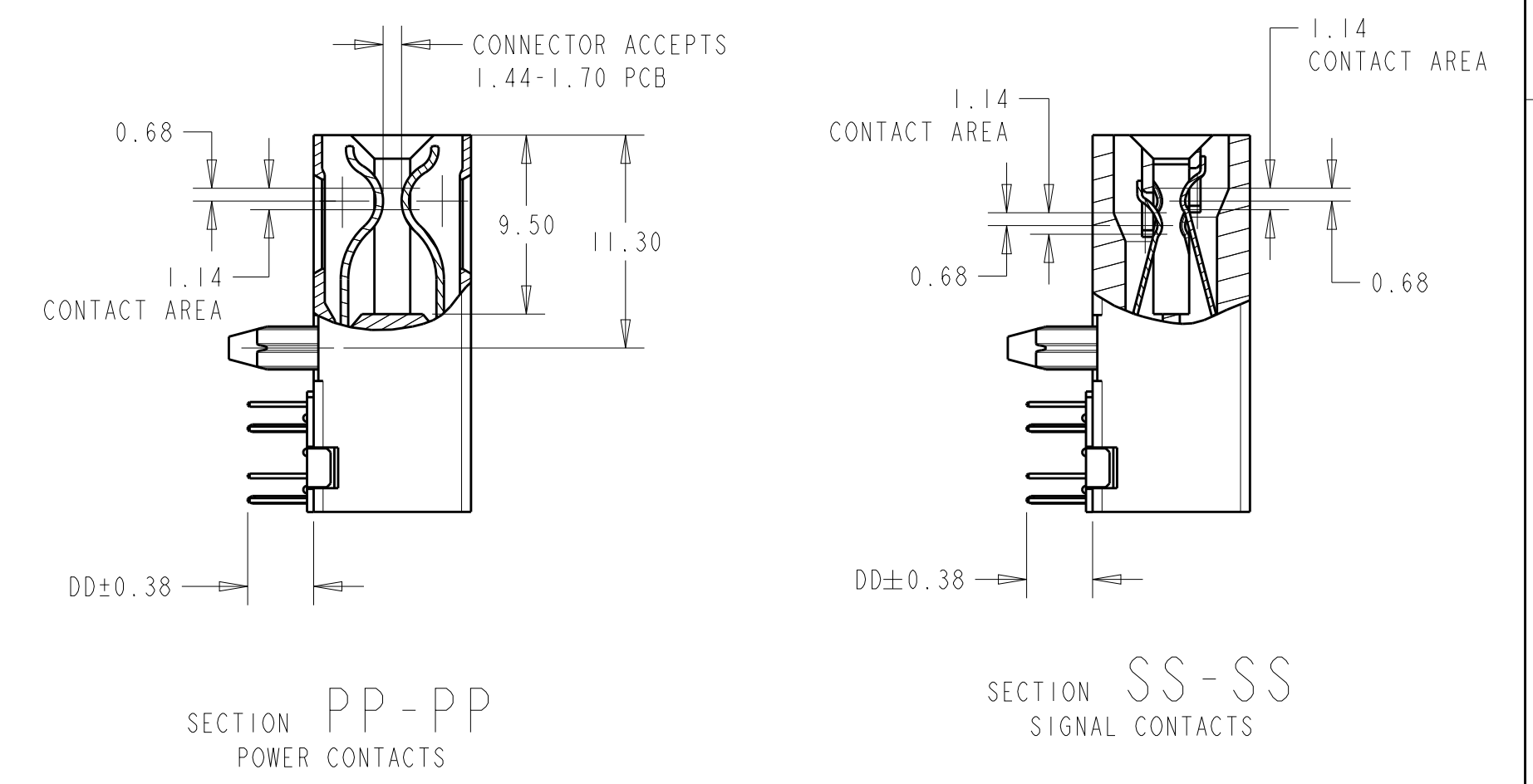
SHEET: 1 OF 3

REV: A

LOC		DIST		REVISIONS			
AA	00	P	LTH	DESCRIPTION	DATE	DWN	APVD
		-		SEE SHEET 1	-	-	-



2212115-1
SHOWN



THIS DRAWING IS A CONTROLLED DOCUMENT.		DWN L.A. WENSEL 01MAR2013	
DIMENSIONS:		CHK D. SZCZESNY 01MAR2013	
mm	TOLERANCES UNLESS OTHERWISE SPECIFIED:	APVD S. FLICKINGER 01MAR2013	NAME CONNECTOR ASSEMBLY, MULTI-BEAM CE, POWER/SIGNAL, RIGHT ANGLE, SOLDER MOUNT
 0 PLC ± 2 PLC ±0.5 3 PLC ±0.25 4 PLC ± ANGLES ± FINISH SEE NOTE 2		PRODUCT SPEC	SIZE A1
MATERIAL SEE NOTE 1		APPLICATION SPEC	CAGE CODE 00779
		WEIGHT	DRAWING NO. 2212115
		CUSTOMER DRAWING	RESTRICTED TO -
		SCALE 3:1	SHEET 2 OF 3
			REV A

Mouser Electronics

Authorized Distributor

Click to View Pricing, Inventory, Delivery & Lifecycle Information:

[TE Connectivity:](#)

[1-2212115-4](#)