

**PLEASE CHECK WWW.MOLEX.COM FOR LATEST PART INFORMATION**

**Part Number:** [0539160208](#)

**Status:** **Active**

**Overview:** SlimStack Board-to-Board/Board-to-FPC Connectors

**Description:** 0.50mm Pitch SlimStack Plug, Surface Mount, Dual Row, Vertical, 4.00mm Stack Height, without Solder Tabs, 20 Circuits, without Vacuum Pick-up Tape

**Documents:**

[3D Model](#)

[3D Model \(PDF\)](#)

[Drawing \(PDF\)](#)

[Product Specification 529910000-PS-000 \(PDF\)](#)

[RoHS Certificate of Compliance \(PDF\)](#)

**General**

Product Family	PCB Headers
Series	<a href="#">53916</a>
Application	Board-to-Board, Signal
Overview	<a href="#">SlimStack Board-to-Board/Board-to-FPC Connectors</a>
Product Name	SlimStack
Series Name	0.5, BB H3/4
UPC	800754250306

**Physical**

Breakaway	No
Circuits (Loaded)	20
Circuits (maximum)	20
First Mate / Last Break	No
Glow-Wire Capable	No
Guide to Mating Part	No
Keying to Mating Part	None
Lock to Mating Part	None
Mated Height	4.00mm
Mated Width	5.40mm
Material - Metal	Brass
Material - Plating Mating	Gold
Material - Plating Termination	Gold
Net Weight	118.900/mg
Number of Rows	2
Orientation	Vertical
PCB Locator	No
PCB Retention	None
Packaging Type	Embossed Tape on Reel
Pitch - Mating Interface	0.50mm
Plating min - Mating	0.254µm
Plating min - Termination	0.102µm
Polarized to PCB	No
Shrouded	Fully
Temperature Range - Operating	-40° to +105°C
Termination Interface: Style	Surface Mount

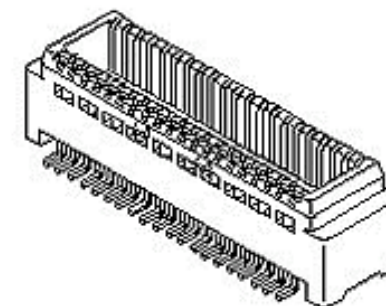
**Electrical**

Current - Maximum per Contact	0.5A
Voltage - Maximum	50V

**Material Info**

**Reference - Drawing Numbers**

Product Specification	529910000-PS-000
Sales Drawing	SD-53916-001-001, SD-53916-002-001



*Series image - Reference only*

**EU ELV**

**Not Relevant**

**EU RoHS**

**Compliant**

**REACH SVHC**

Not Contained Per -  
D(2020)9139-DC (19  
January 20

**Halogen-Free**

**Status**

**Low-Halogen**

For more information, please visit [Contact US](#)

China ROHS

ELV

RoHS Phthalates

**China RoHS**

Green Image

Not Relevant

Not Contained

**Search Parts in this Series**

[53916 Series](#)

**Mates With**

SlimStack Receptacle [52991](#) , [54167](#)

This document was generated on 02/18/2021

**PLEASE CHECK [WWW.MOLEX.COM](http://WWW.MOLEX.COM) FOR LATEST PART INFORMATION**

# Mouser Electronics

Authorized Distributor

Click to View Pricing, Inventory, Delivery & Lifecycle Information:

[Molex:](#)

[53916-0208](#)