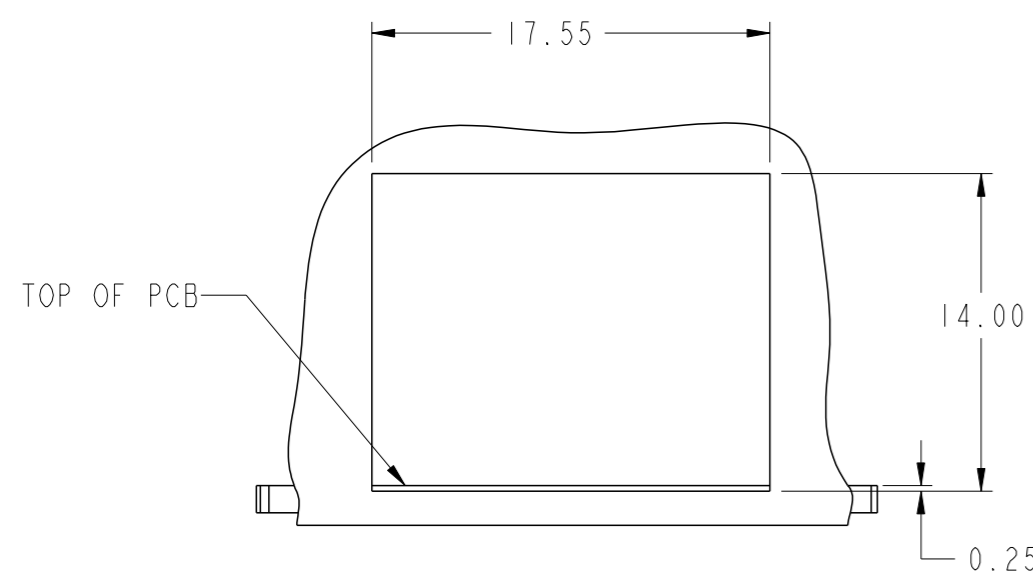
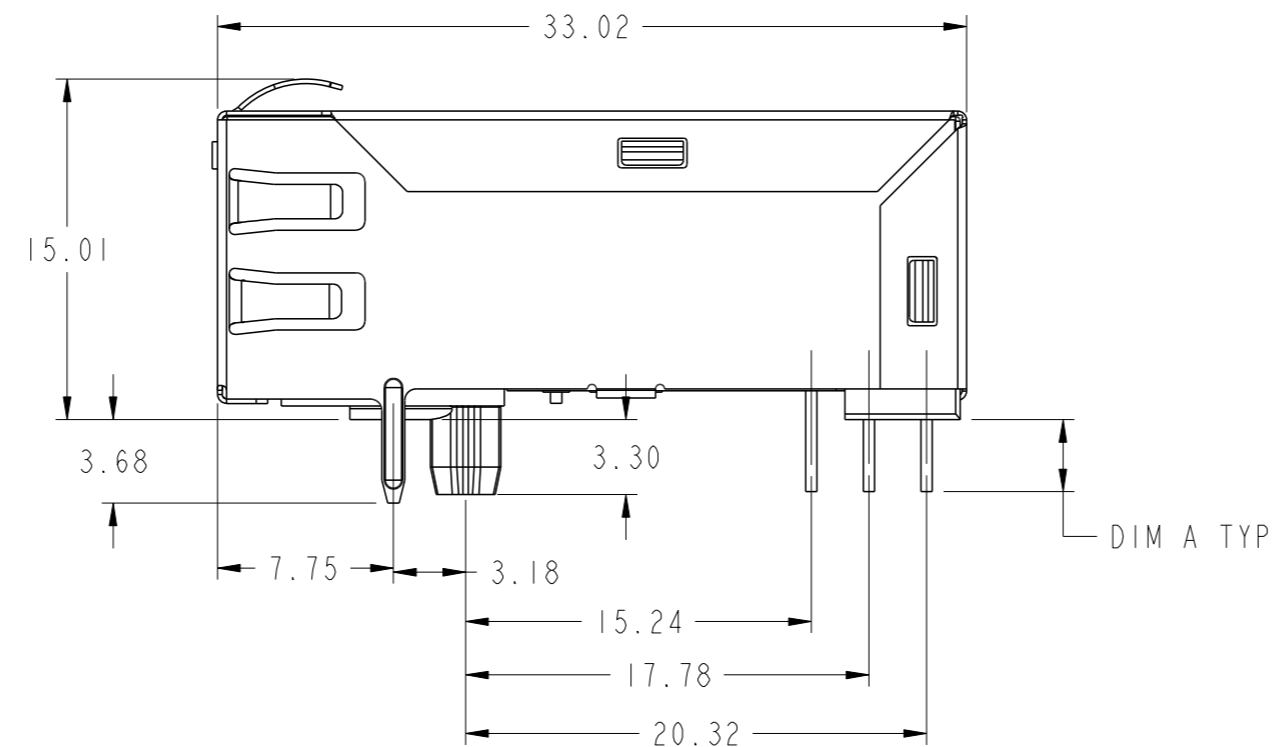
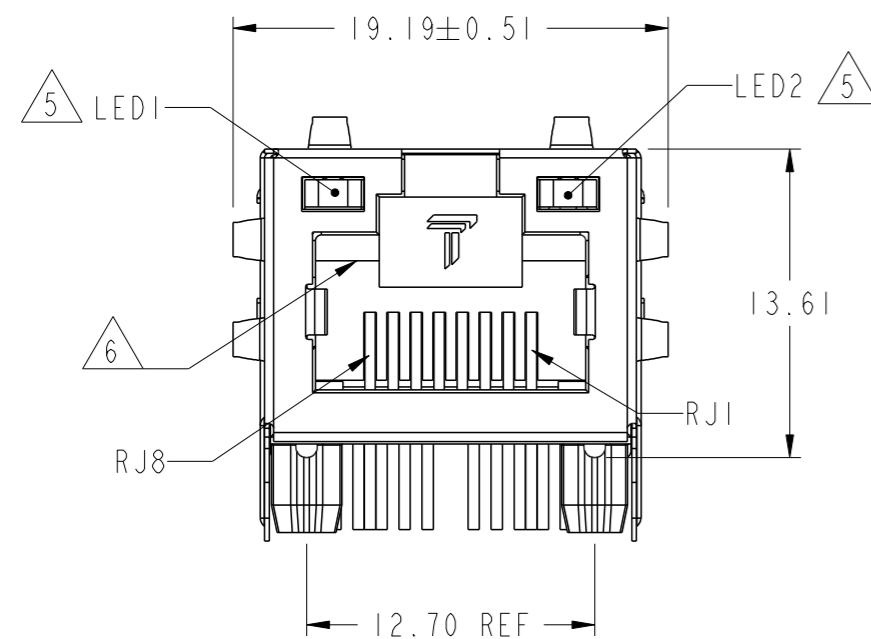
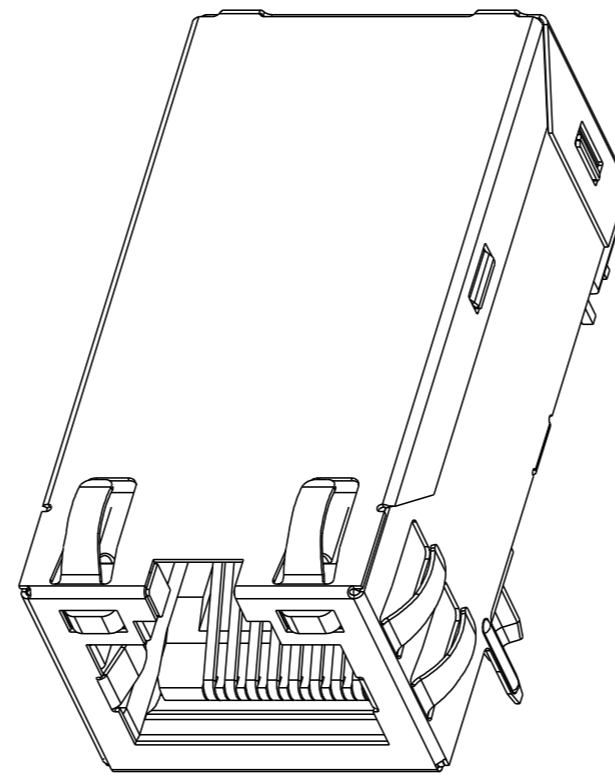
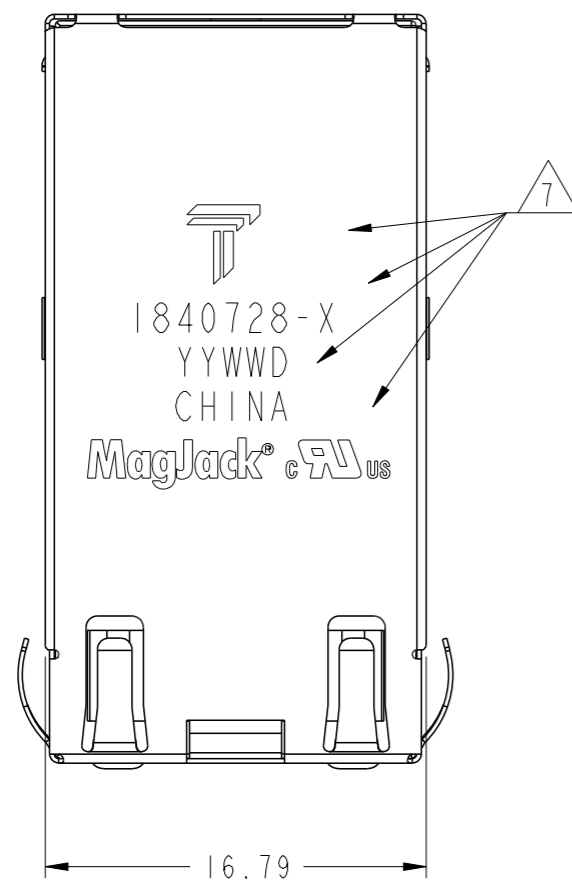


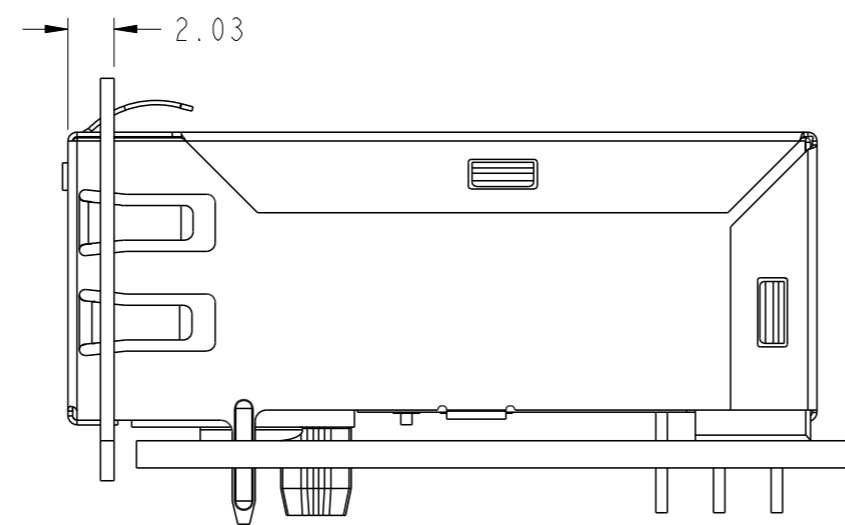
THIS DRAWING AND THE SUBJECT MATTER SHOWN THEREON ARE CONFIDENTIAL AND THE PROPERTY OF BEL/STEWART/TRP CONNECTOR AND SHALL NOT BE REPRODUCED, COPIED, OR USED IN ANY MANNER WITHOUT THE WRITTEN CONSENT OF TRP CONNECTOR.

PRODUCT MAY BE PROTECTED BY ONE OR MORE OF THE FOLLOWING US PATENTS:
 5736910 5939955 6425781 6428361 6554638 6840817 7123117
 7429195 7717749 7808751 6217391 6149050 7924130

REVISIONS				
P	LTR	DESCRIPTION	DATE	APVD
A		LOGO CHANGE	24APR2013	TY KZ
B		EC-1411035 COMPANY LOGO CHANGE	09JAN2015	TYR TYN



SUGGESTED PANEL CUTOUT VS CUSTOMER BOARD



CONNECTOR ASSEMBLED TO PANEL AND PCB

I. MATERIALS

HOUSING: THERMOPLASTIC, BLACK, FLAMMABILITY RATING UL 94V-0
 SHIELD: BRASS, 0.20mm THICK
 PREPLATED WITH MIN 0.76um SEMI-BRIGHT NICKEL
 POST DIPPED WITH 2.54um MIN SAC SOLDER AT GROUND PINS.
 CONTACT: PHOSPHOR BRONZE, 0.46mmX0.30mm
 WITH 1.27um MIN OVERALL NICKEL UNDERPLATE AND
 SELECTIVE 1.27um MIN GOLD PLATING AT MATING INTERFACE
 SOLDER TAIL: COPPER CLADDED STEEL, 0.50mm SQUARE
 PLATED WITH 2.54um MIN MATTE TIN
 LIGHT PIPE: POLYCARBON, TRANSPARENT, RATING UL 94V-0
 LED: DIFFUSED EPOXY LENS, 0.50mm SQUARE CARBON STEEL WIREFRAME LEADS
 PREPLATED WITH 2.03um MIN SILVER OVER 1.02um MIN NICKEL OVER 1.02um
 MIN COPPER UNDERPLATE POST PLATED WITH 2.54um MIN TIN,
 TIP TIN DIPPING

△ MAGNETICS

-APPLICATION: 10/100/1000 BASE-T
 -IMPEDANCE: 100 OHMS
 -TURNS RATIO (CHIP:CABLE): 1:1 ALL FOUR PAIRS
 -OPEN CIRCUIT INDUCTANCE (OCL): 350uH MIN @100kHz, 0.1VRMS,
 8mADC BIAS FROM 0°C TO 70°C, ALL FOUR PAIRS
 -ALL FOUR PAIRS BI-DIRECTIONAL
 -PERFORMANCE @ 25°C:
 INSERTION LOSS (IL): 1.1dB MAX FROM 0.5MHz TO 100MHz
 RETURN LOSS (RL): 18dB MIN FROM 0.5MHz TO 40MHz
 12-20LOG(f/80)dB MIN FROM 40.1MHz TO 100MHz
 CROSSTALK ATTENUATION: 35dB MIN FROM 0.5MHz TO 40MHz
 33-20LOG(f/50)dB MIN FROM 40.1MHz TO 100MHz
 COMMON MODE REJECTION RATIO (CMRR): 30dB MIN FROM 0.5MHz TO 100MHz
 -ISOLATION VOLTAGE: 2250 VDC FOR 60 SECONDS DURATION FOR 1840728-6,
 1840728-7, 1-1840728-3, 1-1840728-5
 -ISOLATION VOLTAGE: 1500 VAC(RMS) AT 50 Hz TO 60 Hz FOR 60 SECONDS DURATION
 FOR 1840728-5, 1840728-9

△ THE MAGNETICS ARE SYMMETRICAL AND SUPPORT AUTO-MDIX OPERATION.

4. OPERATING TEMPERATURE: 0°C TO 70°C

△ LEDS ARE DRIVEN WITH CONSTANT CURRENT AT APPROX 20mA.

LED COLOR: DOMINANT WAVELENGTH (λ D): GREEN 568 nm TYP. at IF=20mA
 FORWARD VOLTAGE (VF): GREEN 2.2V TYP. at IF=20mA
 DOMINANT WAVELENGTH (λ D): YELLOW 588 nm TYP. at IF=20mA
 FORWARD VOLTAGE (VF): YELLOW 2.1V TYP. at IF=20mA
 DOMINANT WAVELENGTH (λ D): ORANGE 605 nm TYP. at IF=20mA
 FORWARD VOLTAGE (VF): ORANGE 2.1V TYP. at IF=20mA

△ RJ45 CAVITY CONFORMS TO FCC RULES AND REGULATION PART 68 SUBPART F.

△ TRP CONNECTOR LOGO, PART NUMBER, DATE CODE, COUNTRY OF ORIGIN AND AGENCY APPROVAL MARKING IN APPROXIMATE LOCATION SHOWN. DATE CODE: "YY" IS YEAR, "WW" IS WORK WEEK, "D" IS DAY OF WEEK, WITH SUNDAY=1

8. THESE PARTS ARE RECOMMENDED FOR WAVE SOLDERING PROCESS, PREHEAT TEMPERATURE IS 120°C TO 160°C, 120 SECONDS TO 180 SECONDS, PEAK WAVE SOLDERING TEMPERATURE IS 260°C MAX, 10 SECONDS MAX.

3.56	YELLOW/GREEN	GREEN	1-1840728-5
3.18	GREEN/ORANGE	YELLOW	1-1840728-3
3.18	YELLOW	GREEN	1840728-9
3.18	GREEN	GREEN	1840728-7
3.18	YELLOW/GREEN	YELLOW/GREEN	1840728-6
3.18	YELLOW/GREEN	GREEN	1840728-5
DIM A	LED1	LED2	PART NUMBER

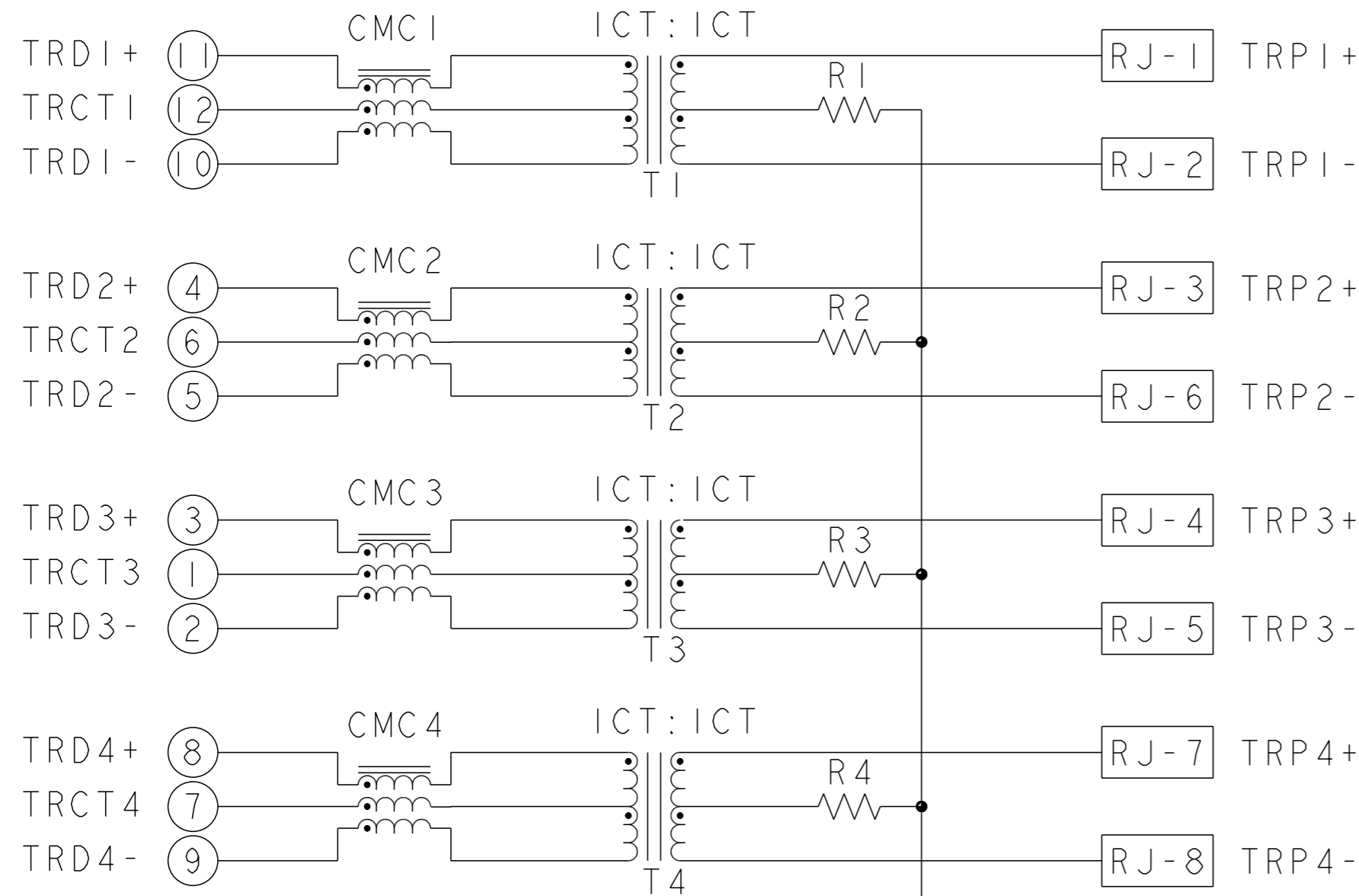
THIS DRAWING IS A CONTROLLED DOCUMENT.		DWN	JALU XU	200CT2006
DIMENSIONS: mm		CHK	KEITH ZHU	200CT2006
TOLERANCES UNLESS OTHERWISE SPECIFIED:		APVD	TEDDY XIONG	200CT2006
0 PLC ±		MODEL NAME		
1 PLC ±0.25		MAGJACK		
2 PLC ±0.25		SINGLE NON-POE		
3 PLC ±0.25		SIZE	A2	CAGE CODE
4 PLC ±		DRAWING NO	C-1840728	
ANGLES ±		RESTRICTED TO	-	
APPLICATION SPEC		SCALE	2:1	SHEET 1 OF 2
108-2100		REV	B	

trp CONNECTOR
 a bel group
 DONGGUAN CHINA

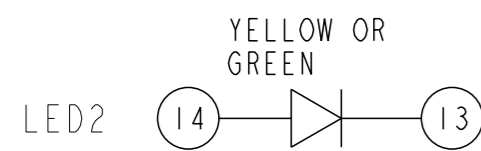
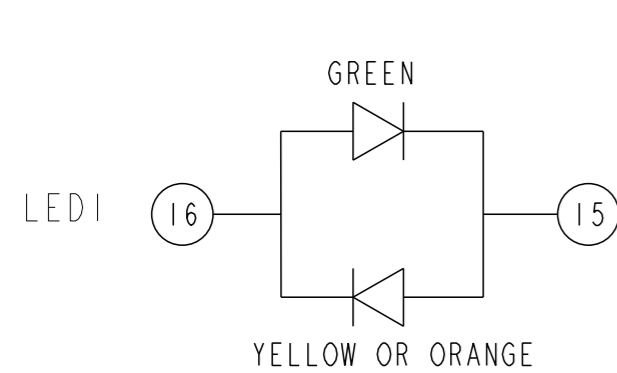
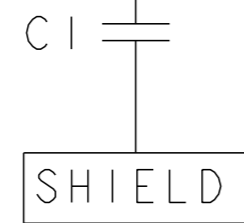
IXI IG4I GIGABIT
 TAB UP W/ LED

CUSTOMER DRAWING

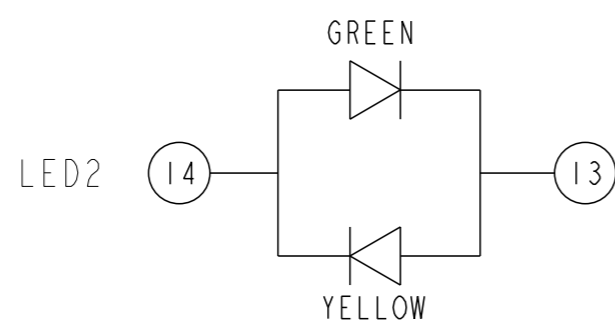
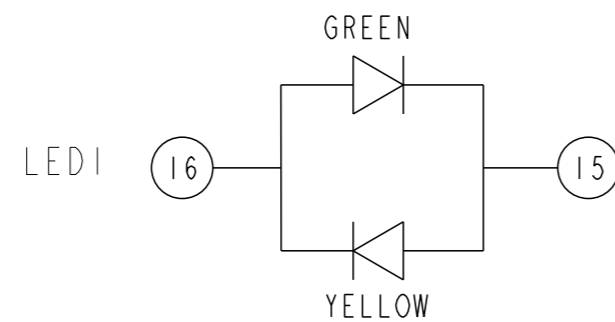
IG41 GIGABIT CIRCUIT



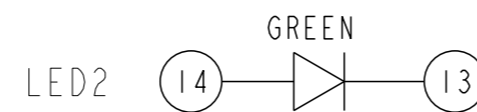
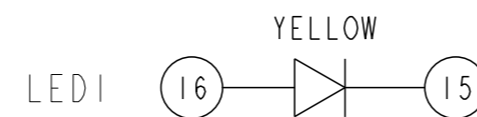
R1-R4=75 Ohms, 1/16W, 5% RESISTORS
 C1=1000pF, 3kV CAPACITOR



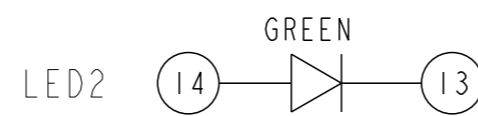
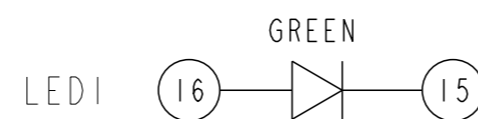
LED CONFIGURATION
 FOR 1-1840728-3
 1840728-5
 1-1840728-5



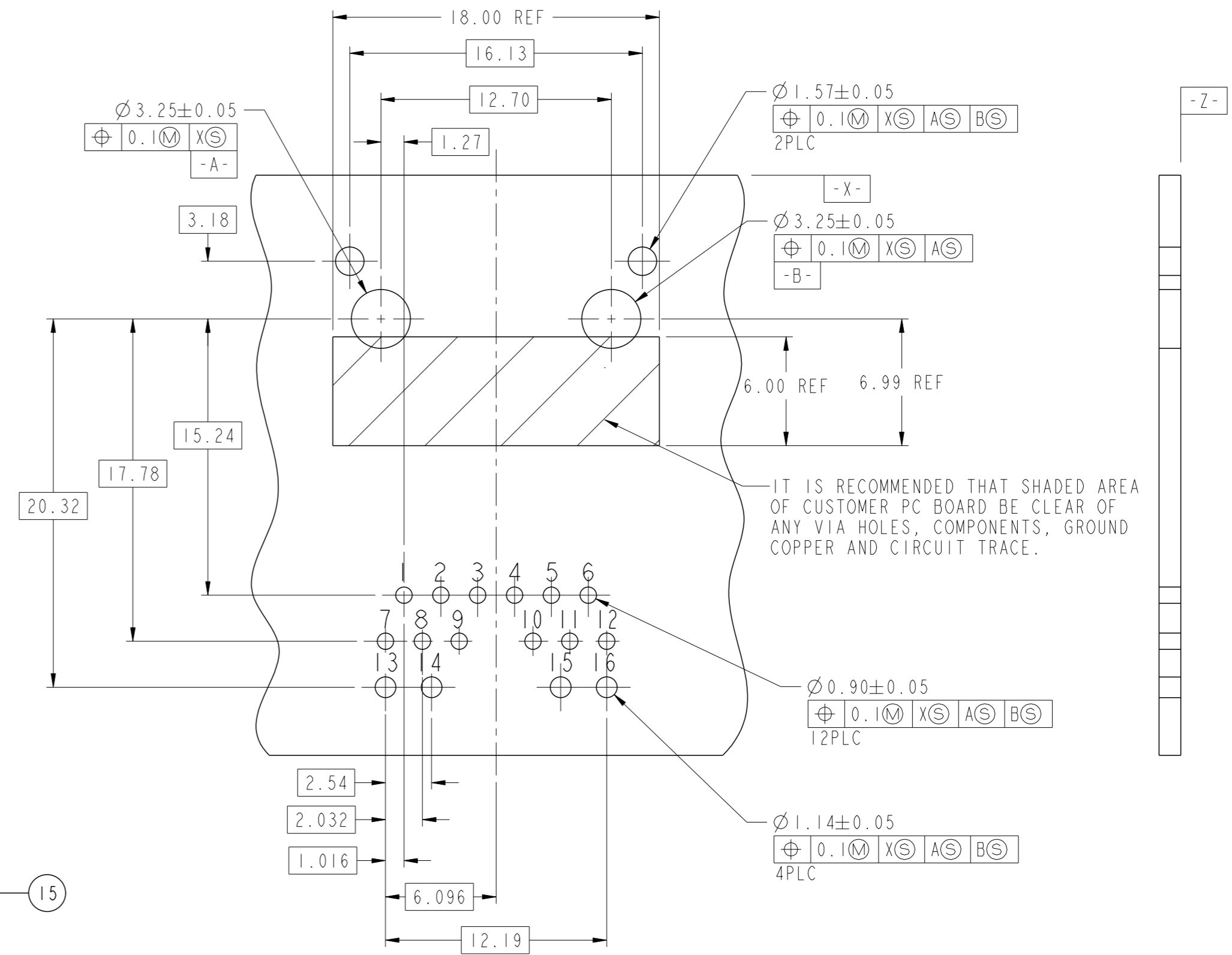
LED CONFIGURATION
 FOR 1840728-6 ONLY



LED CONFIGURATION
 FOR 1840728-9 ONLY



LED CONFIGURATION
 FOR 1840728-7 ONLY



IT IS RECOMMENDED THAT SHADED AREA
 OF CUSTOMER PCB BE CLEAR OF
 ANY VIA HOLES, COMPONENTS, GROUND
 COPPER AND CIRCUIT TRACE.

SUGGESTED CUSTOMER PCB
 COMPONENT SIDE
 SCALE 2:1

THIS DRAWING IS A CONTROLLED DOCUMENT.		DWN JALU XU 20OCT2006	 trp CONNECTOR a bel group DONGGUAN CHINA	DESC IX1 IG41 GIGABIT TAB UP W/ LED
DIMENSIONS: mm		CHK KEITH ZHU 20OCT2006		
		APVD TEDDY XIONG 20OCT2006		
TOLERANCES UNLESS OTHERWISE SPECIFIED: 0 PLC ± 1 PLC ±0.25 2 PLC ±0.25 3 PLC ±0.25 4 PLC ± ANGLES ± APPLICATION SPEC		MODEL NAME MAGJACK SINGLE NON-POE		
PRODUCT SPEC 108-2100		SIZE A2		CAGE CODE C-1840728
CUSTOMER DRAWING			SCALE 2:1	SHEET 2 OF 2
			REV B	RESTRICTED TO -

Mouser Electronics

Authorized Distributor

Click to View Pricing, Inventory, Delivery & Lifecycle Information:

Bel:

[1840728-5](#)