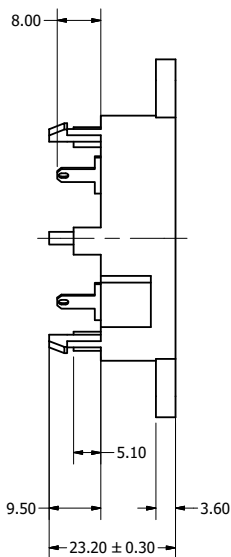
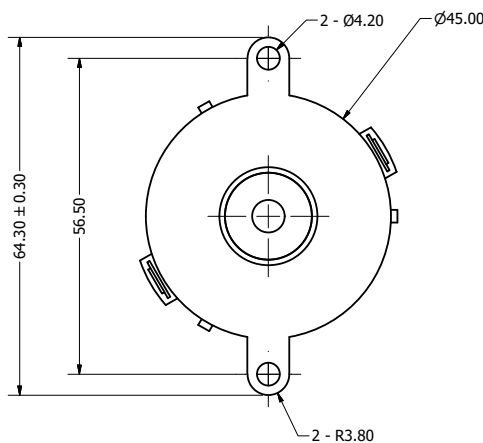


Part Number:	TP453212-1	
DRAWN	CJ	7/17/2015
CHECKED	P.D	12/11/2015
Description:	Piezo Transducer	APPROVED
		J.S
		12/11/2015
<small>This document contains data proprietary to DB Unlimited. Any use or reproduction, in any form, without prior written permission of DB Unlimited is prohibited. All terms and conditions can be found at <a href="http://www.dbunlimitedco.com">www.dbunlimitedco.com</a></small>		

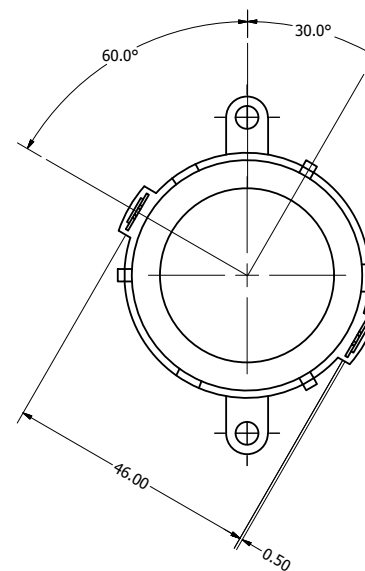
Side View



Top View



Bottom View



Items	Specifications	Conditions
Sound Pressure Level	110	dB (@ 10cm)
Resonant Frequency	3,200	Hz
Rated Voltage	12	V
Voltage Range	1 ~ 40	V
Capacitance	25,000	pF ( $\pm 30\%$ at 120 Hz)
Max. Rated Current	7	mA
Storage Temperature	-50 ~ +105	°C
Operating Temperature	-50 ~ +105	°C
Connection Method	Plate	
Mount Type	Thru-hole	
Housing Material	PA66	
Weight	11	g

REVISION HISTORY			
REV	DESCRIPTION	DATE	APPROVED
	Released from Engineering	10/21/2013	J.S.
1	Update Operating/Storage Temp	3/3/2015	C.E.
2	Updated to new template	12/11/2015	J.S.

NOTES			
1) All dimensions are in mm unless otherwise noted			
2) All tolerances are $\pm 0.5$ mm unless otherwise noted			
3) All parts meet RoHS			
4) Subject to change or redrawn without notice			