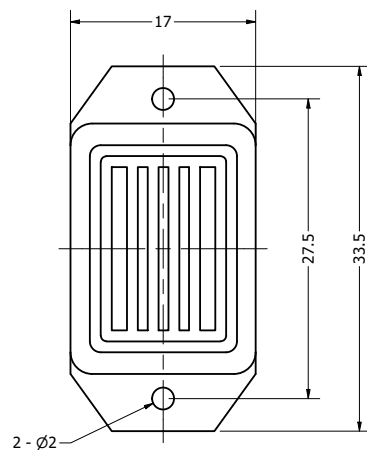
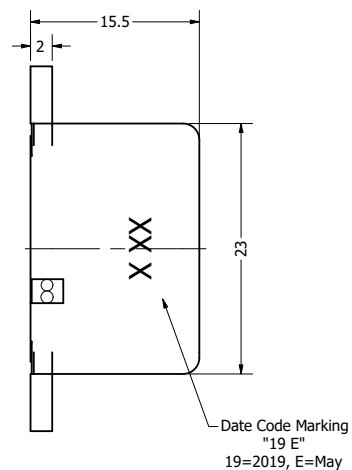


Part Number:	IE330403-1	
	DRAWN	5/20/2019
Description:	Electro-Mechanical Indicator	
	CHECKED	5/21/2019
	C.H.	
	APPROVED	5/21/2019
	C.E.	
<small>This document contains data proprietary to DB Unlimited. Any use or reproduction, in any form, without prior written permission of DB Unlimited is prohibited. All terms and conditions can be found at www.dbunlimitedco.com</small>		

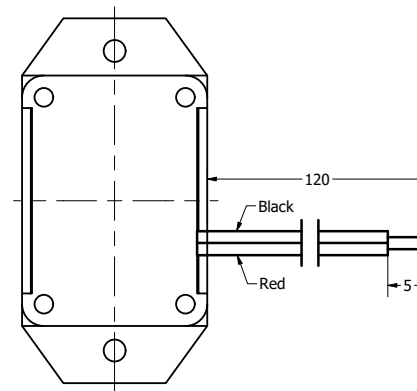
Top View



Side View



Bottom View



Items	Specifications	Conditions	REVISION HISTORY			
Min. Sound Pressure Level	70	dB (@ 10cm)	REV	DESCRIPTION	DATE	APPROVED
Tone	Single		1	Released from Engineering	10/21/2013	J.S.
Resonant Frequency	400	Hz	1	Updated to new drawing template, weight, temps	5/21/2019	C.E.
Rated Voltage	3	V	2	Updated max. rated current	11/16/2021	P.D.
Voltage Range	2 ~ 4	V				
Max. Rated Current	20	mA				
Storage Temperature	-20 ~ +70	°C				
Operating Temperature	-20 ~ +65	°C				
Connection Method	Lead Wires		NOTES			
Mount Type	Flange Mount		1) All dimensions are in mm unless otherwise noted			
Housing Material	ABS		2) All tolerances are ± 0.5 mm unless otherwise noted			
Weight	8	g	3) All parts meet RoHS			
			4) Subject to change or redrawn without notice			