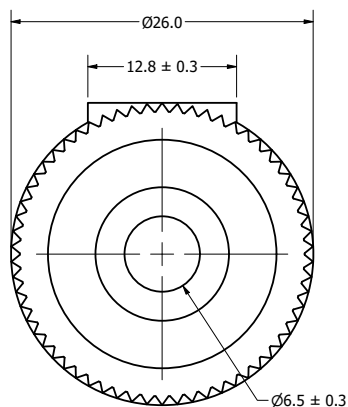
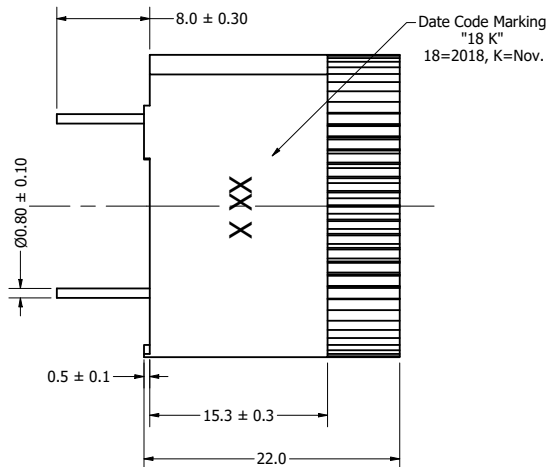


Part Number:	IP262809-1	
	DRAWN CJ	11/30/2018
Description:	Piezo Indicator	
	CHECKED C.H.	12/3/2018
	APPROVED C.E.	12/3/2018
<small>This document contains data proprietary to DB Unlimited. Any use or reproduction, in any form, without prior written permission of DB Unlimited is prohibited. All terms and conditions can be found at <a href="http://www.dbunlimitedco.com">www.dbunlimitedco.com</a></small>		

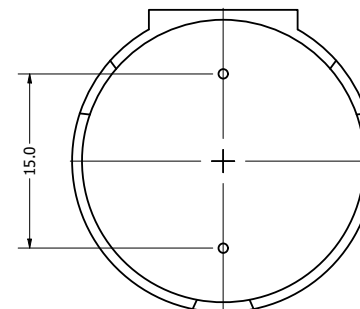
Top View



Side View



Bottom View



Items	Specifications	Conditions	REVISION HISTORY			
Min. Sound Pressure Level	103/109	dB (@ 10cm) 9V/12V	REV	DESCRIPTION	DATE	APPROVED
Tone	Single		1	Released from Engineering	10/21/2018	J.S.
Resonant Frequency	2,800	Hz	1	Updated to new template, SPL, temps	12/3/2018	C.E.
Rated Voltage	9,12	V	2	Updated SPL	2/7/2019	C.E.
Voltage Range	5 ~ 18	V				
Max. Rated Current	50	mA				
Storage Temperature	-30 ~ +85	°C				
Operating Temperature	-20 ~ +85	°C				
Connection Method	PC Pins					
Mount Type	Thru-Hole					
Housing Material	PBT					
Weight	15	g				

- NOTES
- 1) All dimensions are in mm unless otherwise noted
  - 2) All tolerances are ± 0.5 mm unless otherwise noted
  - 3) All parts meet RoHS
  - 4) Subject to change or redrawn without notice