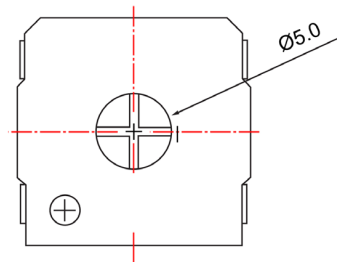
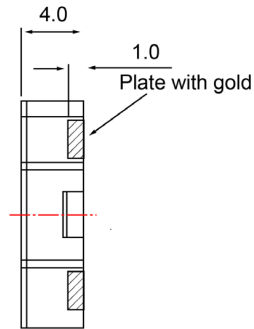


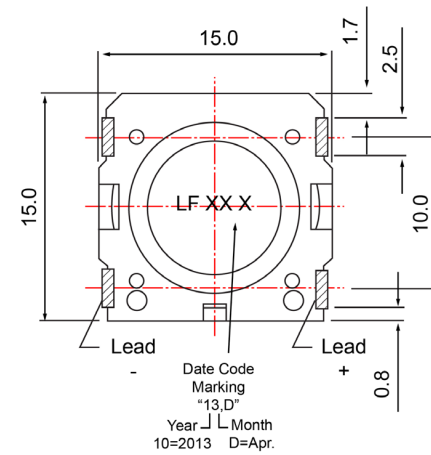
TOP VIEW




SIDE VIEW



BOTTOM VIEW



Specifications			Notes	Revision History					
Description	Value	Unit		Version	Description		Date	Approved	
Shape	Square		1) All dimensions are in mm unless otherwise noted 2) All parts meet RoHS  <b>DB UNLIMITED</b>	1	Released from Engineering		2/6/2014	J.S	
Resonant Frequency	850	(Hz)							
Frequency Range	850 ~ 20,000	(Hz)							
SPL @ 10cm	87	(dBA)							
Impedance	8	(Ohm)							
Cone Material	Mylar								
Nominal Power	0.5	(W)							
Max Power	0.8	(W)							
Mount Type	Surface Mount								
Operating Temperature	- 30 ~ + 85	°C							
Storage Temperature	- 40 ~ + 85	°C							
Weight	1.5	(g)							
				<b>Surface Mount Speaker</b>			<b>SM150808-2</b>		
				Drawn by	Date	Checked by	Date	Approved by	Date
				G.W.	10/31/2013	C.E.	10/21/2013	J.S	2/6/2014

Additional considerations can be found at [www.dbunlimitedco.com/technical-articles](http://www.dbunlimitedco.com/technical-articles).