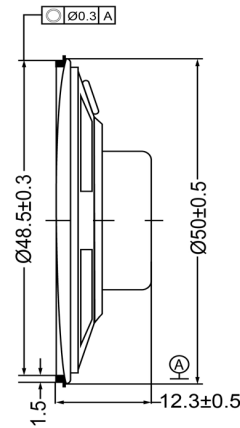
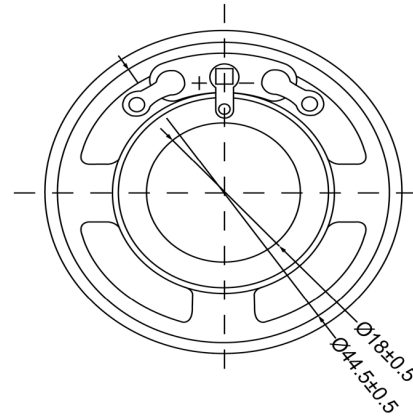




SIDE VIEW



BOTTOM VIEW



Specifications			Notes	Revision History							
Description	Value	Unit		Version	Description		Date	Approved			
Shape	Round		1) All dimensions are in mm unless otherwise noted 2) All parts meet RoHS	1	Released from Engineering		10/21/2013	J.S			
Resonant Frequency	400	(Hz)									
Frequency Range	400 ~ 5,000	(Hz)									
SPL @ 10cm	103	(dBA)									
Impedance	45	(Ohm)									
Cone Material	Paper										
Nominal Power	0.25	(W)									
Max Power	0.4	(W)									
Mount Type	Flush										
Operating Temperature	-40 ~ +66	°C									
Storage Temperature	-40 ~ +66	°C									
Weight	17	(g)									
 DB UNLIMITED			 DB UNLIMITED			Dynamic Speaker		SP500445-1			

Additional considerations can be found at www.dbunlimitedco.com/technical-articles.