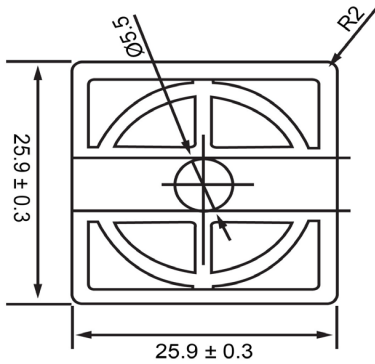
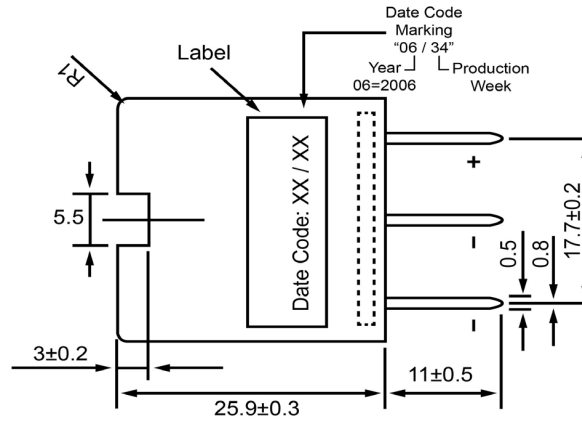


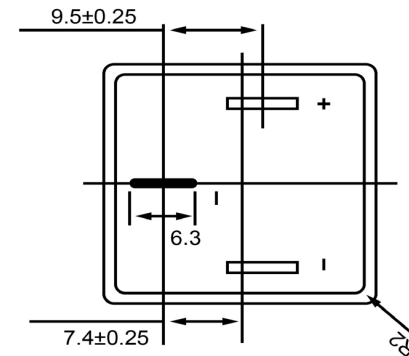
TOP VIEW




SIDE VIEW



BOTTOM VIEW



Specifications			Notes	Revision History					
Description	Value	Unit		Version	Description		Date	Approved	
Technology	Piezo		1) All dimensions are in mm unless otherwise noted 2) All parts meet RoHS  DB UNLIMITED	1	Released from Engineering		10/21/2013	J.S	
Resonant Frequency	3,300	(Hz)							
Rated Voltage	12	(V)							
SPL @ 10cm	98	(dBA)							
Tone	Single								
Mount Type	Flush								
Voltage Range	9 ~ 18	(V)							
Max Rated Current	15	(mA)							
Housing Material	PA66								
Operating Temperature	-20 ~ +85	°C							
Storage Temperature	-40 ~ +90	°C							
Weight	10	(g)							
				<b>Piezo Indicator</b>			<b>IP253312-1</b>		
				Drawn by	Date	Checked by	Date	Approved by	Date
				A.B.	10/21/2013	C.E.	10/21/2013	J.S	10/21/2013

Additional considerations can be found at [www.dbunlimitedco.com/technical-articles](http://www.dbunlimitedco.com/technical-articles).