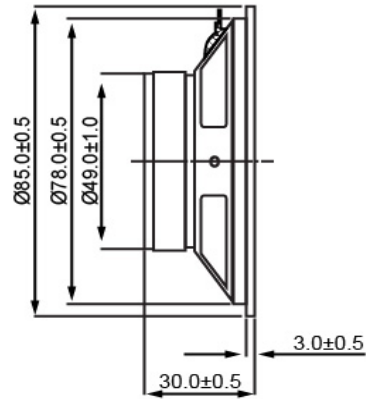
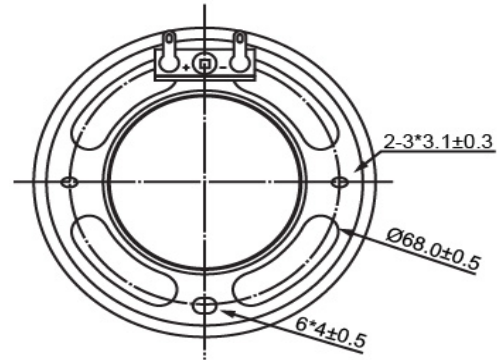


SIDE VIEW



BOTTOM VIEW



Specifications

Description	Value	Unit
Shape	Round	
Resonant Frequency	350	(Hz)
Frequency Range	350 ~ 6,000	(Hz)
SPL @ 10cm	104	(dBA)
Impedance	16	(Ohm)
Cone Material	Mylar	
Nominal Power	10	(W)
Max Power	15	(W)
Mount Type	Flush	
Operating Temperature	-20 ~ +55	°C
Storage Temperature	-20 ~ +55	°C
Weight	197	(g)

Notes

- 1) All dimensions are in mm unless otherwise noted
- 2) All parts meet RoHS



Revision History

Version	Description	Date	Approved		
1	Released from Engineering	10/21/2013	J.S		
Drawn by	Date	Checked by	Date	Approved by	Date
A.B.	10/21/2013	C.E.	10/21/2013	J.S	10/21/2013

Dynamic Speaker

SM850316-1

Additional considerations can be found at www.dbunlimitedco.com/technical-services.