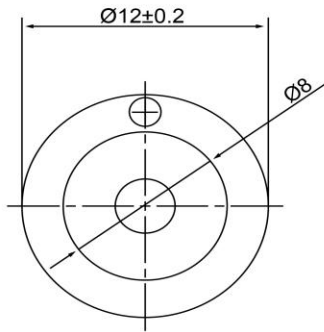
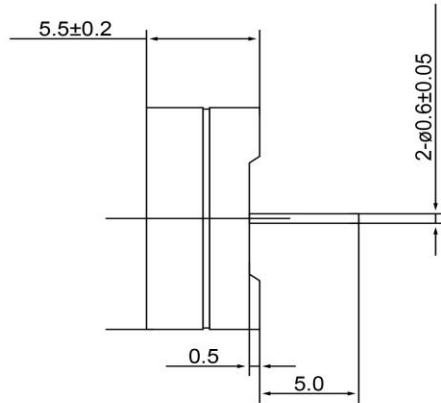


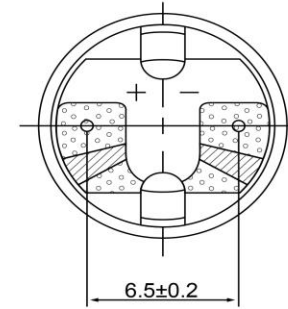
TOP VIEW





SIDE VIEW



BOTTOM VIEW



Specifications			Notes	Revision History					
Description	Value	Unit		Version	Description	Date	Approved		
Technology	Electro-Mechanical		1) All dimensions are in mm unless otherwise noted 2) All parts meet RoHS 	1	Released from Engineering	10/21/2013	J.S		
Resonant Frequency	2,048	(Hz)							
Rated Voltage	1.5	(V)							
SPL @ 10cm	75	(dBA)							
Coil Resistance	16	(ohm)							
Mount Type	Thru Hole								
Voltage Range	1 ~ 3	(V)							
Max Rated Current	30	(mA)							
Housing Material	NORYL								
Operating Temperature	-20 ~ +70	°C							
Storage Temperature	-30 ~ +80	°C							
Weight	2	(g)							
						<b>TE122001-7</b>			
				<b>Electro-Mechanical Transducer</b>					
				<b>Drawn by</b> A.B.	<b>Date</b> 10/21/2013	<b>Checked by</b> C.E.	<b>Date</b> 10/21/2013	<b>Approved by</b> J.S	<b>Date</b> 10/21/2013

Additional considerations can be found at [www.dbunlimitedco.com/technical-articles](http://www.dbunlimitedco.com/technical-articles).