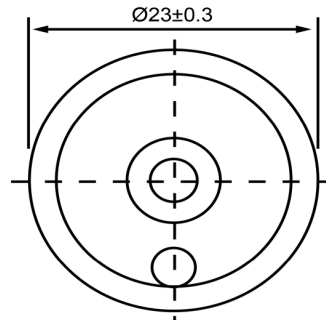
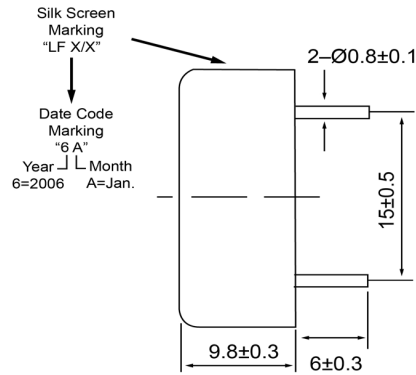




TOP VIEW



SIDE VIEW



Specifications			Notes	Revision History						
Description	Value	Unit		Version	Description		Date	Approved		
Technology	Piezo		1) All dimensions are in mm unless otherwise noted 2) All parts meet RoHS	1	Released from Engineering		10/21/2013	J.S		
Resonant Frequency	4,800	(Hz)								
Rated Voltage	12	(V)								
SPL @ 10cm	85	(dBA)								
Capacitance	15,000	(pF)								
Mount Type	Thru-hole									
Voltage Range	1 ~ 40	(V)								
Max Rated Current	7	(mA)								
Housing Material	PBT									
Operating Temperature	-20 ~ +60	°C								
Storage Temperature	-20 ~ +60	°C								
Weight	3.5	(g)								
 DB UNLIMITED			 Piezo Transducer			TP234812-1				
				Drawn by	Date	Checked by	Date	Approved by	Date	
				A.B.	10/21/2013	C.E.	10/21/2013	J.S	10/21/2013	

Additional considerations can be found at www.dbunlimitedco.com/technical-articles.