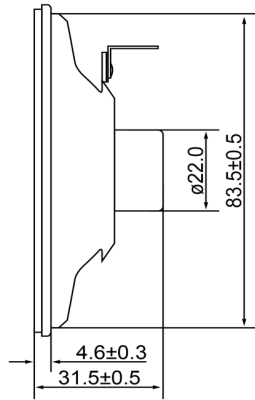
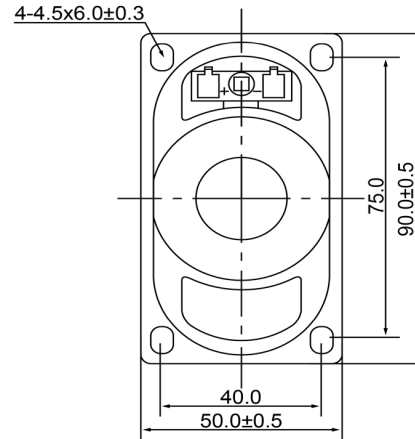




**SIDE VIEW**



**BOTTOM VIEW**



Specifications			Notes	Revision History						
Description	Value	Unit		Version	Description		Date	Approved		
Shape	Rectangle		1) All dimensions are in mm unless otherwise noted 2) All parts meet RoHS	1	Released from Engineering		10/21/2013	J.S		
Resonant Frequency	200	(Hz)								
Frequency Range	200 ~ 20,000	(Hz)								
SPL @ 10cm	80	(dBA)								
Impedance	16	(Ohm)								
Cone Material	Paper									
Nominal Power	3	(W)								
Max Power	5	(W)								
Mount Type	Frame									
Operating Temperature	-20 ~ +55	°C								
Storage Temperature	-20 ~ +55	°C								
Weight	57	(g)								
 <b>DB UNLIMITED</b>			 <b>Dynamic Speaker</b>			<b>SP900216-1</b>				

Additional considerations can be found at [www.dbunlimitedco.com/technical-articles](http://www.dbunlimitedco.com/technical-articles).