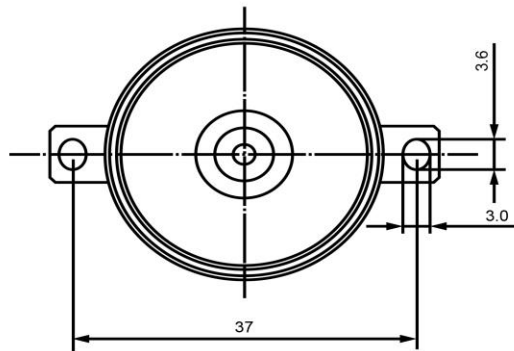
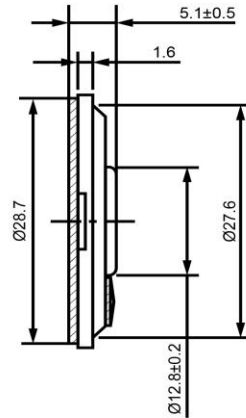


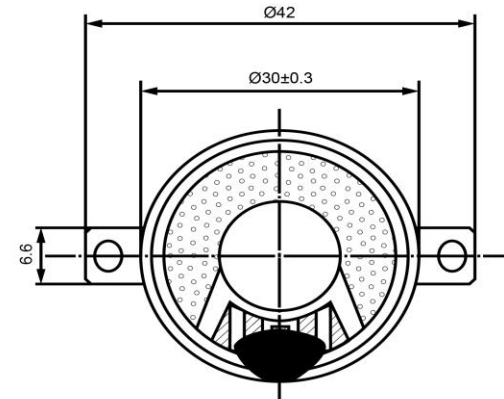
TOP VIEW



SIDE VIEW



BOTTOM VIEW



**Specifications**

Description	Value	Unit
Shape	Round	
Resonant Frequency	600	(Hz)
Frequency Range	600 ~ 20,000	(Hz)
SPL @ 10cm	96	(dBA)
Impedance	8	(Ohm)
Cone Material	Mylar	
Nominal Power	0.3	(W)
Max Power	0.5	(W)
Mount Type	Flange Mount	
Operating Temperature	-10 ~ +40	°C
Storage Temperature	-20 ~ +60	°C
Weight	6.9	(g)

**Notes**

- 1) All dimensions are in mm unless otherwise noted
- 2) All parts meet RoHS



**Revision History**

Version	Description	Date	Approved		
1	Released from Engineering	2/8/2014	J.S.		
Drawn by	Date	Checked by	Date	Approved by	Date
G.W.	1/27/2014	C.E.	2/4/2014	J.S.	2/8/2014

**Dynamic Speaker**

**SM300608-1**

Additional considerations can be found at [www.dbunlimitedco.com/technical-articles](http://www.dbunlimitedco.com/technical-articles).