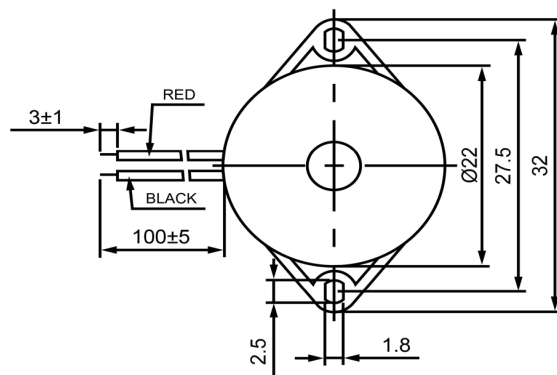
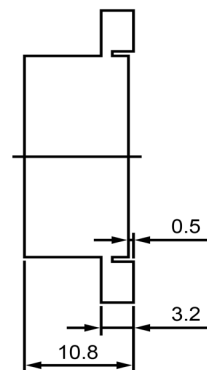





TOP VIEW



SIDE VIEW



Specifications			Notes	Revision History							
Description	Value	Unit		Version	Description		Date	Approved			
Technology	Piezo		1) All dimensions are in mm unless otherwise noted 2) All parts meet RoHS	1	Released from Engineering		10/21/2013	J.S			
Resonant Frequency	4,500	(Hz)									
Rated Voltage	12	(V)									
SPL @ 10cm	90	(dBA)									
Tone	Single Tone										
Mount Type	Flange										
Voltage Range	3 ~ 30	(V)									
Max Rated Current	5	(mA)									
Housing Material	ABS										
Operating Temperature	-20 ~ +60	°C									
Storage Temperature	-30 ~ +70	°C									
Weight	4	(g)									
 DB UNLIMITED						IP224512-2					
							IP224512-2				
				Drawn by	Date	Checked by	Date	Approved by	Date		
				A.B.	10/21/2013	C.E.	10/21/2013	J.S	10/21/2013		

Additional considerations can be found at www.dbunlimitedco.com/technical-articles.