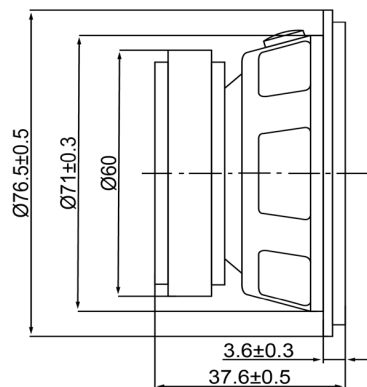
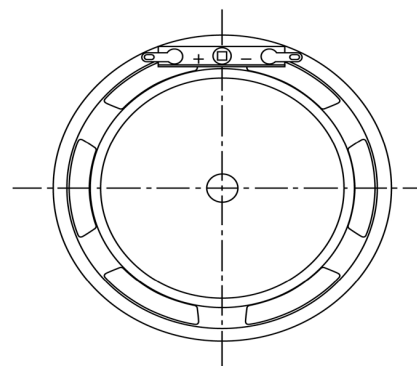




SIDE VIEW



BOTTOM VIEW



Specifications			Notes	Revision History						
Description	Value	Unit		Version	Description		Date	Approved		
Shape	Round		1) All dimensions are in mm unless otherwise noted 2) All parts meet RoHS	1	Released from Engineering		10/21/2013	J.S		
Resonant Frequency	300	(Hz)								
Frequency Range	300 ~ 12,000	(Hz)								
SPL @ 10cm	106	(dBA)								
Impedance	4	(Ohm)								
Cone Material	Mylar									
Nominal Power	10	(W)								
Max Power	15	(W)								
Mount Type	Flush									
Operating Temperature	-20 ~ +55	°C								
Storage Temperature	-20 ~ +55	°C								
Weight	240	(g)								
 DB UNLIMITED			 Dynamic Speaker			SM760304-1				

Additional considerations can be found at www.dbunlimitedco.com/technical-articles.