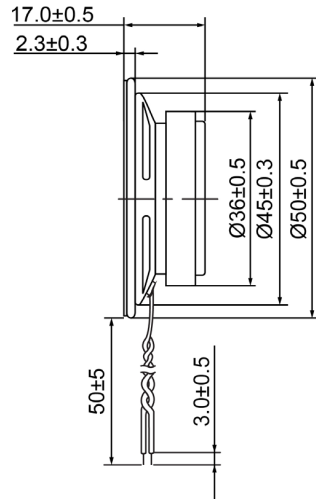
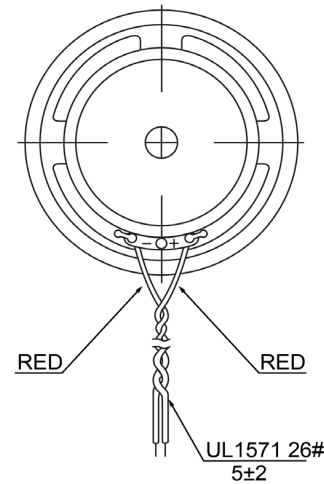



**SIDE VIEW**



**BOTTOM VIEW**



Specifications			Notes	Revision History					
Description	Value	Unit		Version	Description		Date	Approved	
Shape	Round		1) All dimensions are in mm unless otherwise noted 2) All parts meet RoHS  <b>DB UNLIMITED</b>	1	Released from Engineering		10/21/2013	J.S	
Resonant Frequency	450	(Hz)							
Frequency Range	450 ~ 4,000	(Hz)							
SPL @ 10cm	102	(dBA)							
Impedance	8	(Ohm)							
Cone Material	Paper								
Nominal Power	0.25	(W)							
Max Power	0.5	(W)							
Mount Type	Flush Mount								
Operating Temperature	-40 ~ +66	°C							
Storage Temperature	-40 ~ +66	°C							
Weight	61	(g)							
				<b>Dynamic Speaker</b>		<b>SP500408-4</b>			
				Drawn by	Date	Checked by	Date	Approved by	Date
				A.B.	10/21/2013	C.E.	10/21/2013	J.S	10/21/2013

Additional considerations can be found at [www.dbunlimitedco.com/technical-articles](http://www.dbunlimitedco.com/technical-articles).