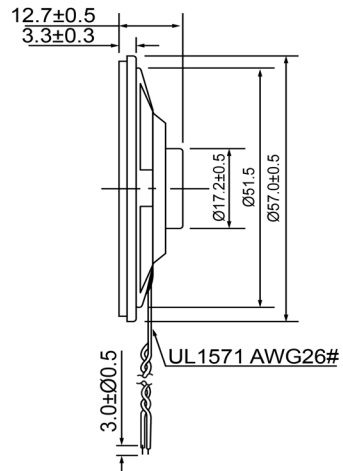
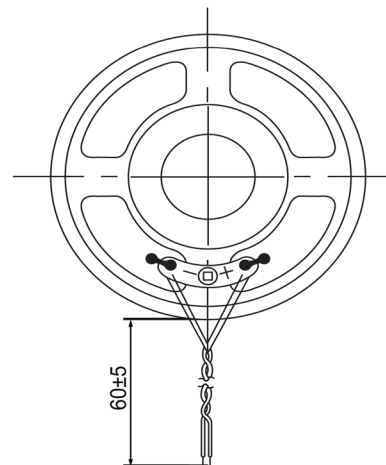



**SIDE VIEW**



**BOTTOM VIEW**



Specifications			Notes	Revision History					
Description	Value	Unit		Version	Description	Date	Approved		
Shape	Round		1) All dimensions are in mm unless otherwise noted 2) All parts meet RoHS 	1	Released from Engineering	10/21/2013	J.S		
Resonant Frequency	370	(Hz)							
Frequency Range	370 ~ 5,000	(Hz)							
SPL @ 10cm	80	(dBA)							
Impedance	16	(Ohm)							
Cone Material	Paper								
Nominal Power	0.3	(W)							
Max Power	0.5	(W)							
Mount Type	Flush								
Operating Temperature	-40 ~ +66	°C							
Storage Temperature	-40 ~ +66	°C							
Weight	16.5	(g)							
			<b>DB UNLIMITED</b>	<b>Dynamic Speaker</b>			<b>SP570316-2</b>		
				<b>Drawn by</b>	<b>Date</b>	<b>Checked by</b>	<b>Date</b>	<b>Approved by</b>	<b>Date</b>
				A.B.	10/21/2013	C.E.	10/21/2013	J.S	10/21/2013