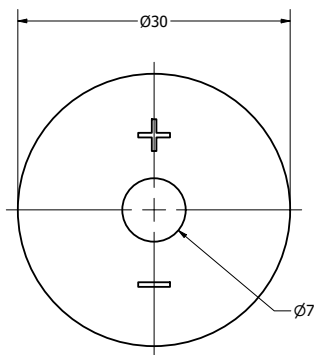
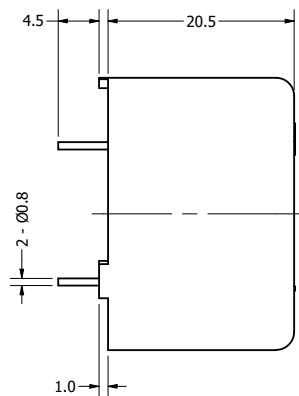


Part Number:	IP303509-1	
	DRAWN	8/21/2018
	CHECKED	8/21/2018
Description:	Piezo Indicator	APPROVED
		C.E.
This document contains data proprietary to DB Unlimited. Any use or reproduction, in any form, without prior written permission of DB Unlimited is prohibited. All terms and conditions can be found at <a href="http://www.dbunlimitedco.com">www.dbunlimitedco.com</a>		

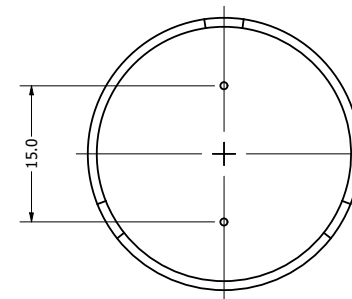
Top View



Side View



Bottom View



Items	Specifications	Conditions
Min. Sound Pressure Level	100 (9 V), 105 (12 V)	dB (@ 10cm)
Typical Sound Pressure Level	90 (9 V), 93 (12 V)	dB (@ 100cm)
Tone	Single	
Resonant Frequency	3,500	Hz
Rated Voltage	9	V
Voltage Range	3 ~ 24	V
Max. Rated Current	20	mA
Storage Temperature	-40 ~ +85	°C
Operating Temperature	-30 ~ +70	°C
Connection Method	PC Pins	
Mount Type	Thru Hole	
Housing Material	PBT	
Weight	8	g

REVISION HISTORY

REV	DESCRIPTION	DATE	APPROVED
	Released from Engineering	10/21/2013	J.S.
1	Add pin spacing, updated SPL and drawing template	8/21/2018	C.E.
2	Added typical SPL	8/22/2018	C.E.

NOTES

- 1) All dimensions are in mm unless otherwise noted
- 2) All tolerances are ± 0.5 mm unless otherwise noted
- 3) All parts meet RoHS
- 4) Subject to change or redrawn without notice