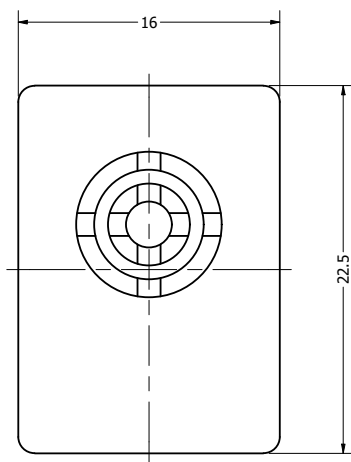
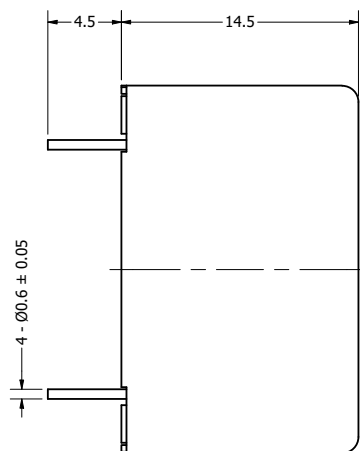


Part Number: IE220424-1	DRAWN CJ	12/12/2018
	CHECKED C.H.	12/12/2018
Description: Electro-Mechanical Transducer	APPROVED C.E.	12/12/2018
	This document contains data proprietary to DB Unlimited. Any use or reproduction, in any form, without prior written permission of DB Unlimited is prohibited. All terms and conditions can be found at www.dbunlimitedco.com	

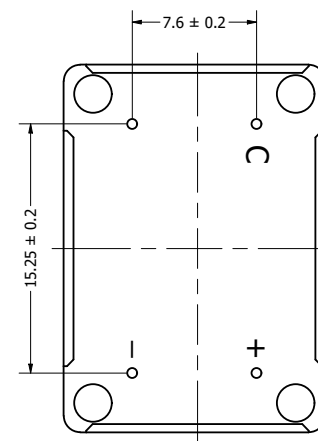
Top View



Side View



Bottom View



Items	Specifications	Conditions
Min. Sound Pressure Level	81	dB (@ 10cm)
Resonant Frequency	400	Hz
Rated Voltage	24	V
Voltage Range	15 ~ 27	V
Max. Rated Current	30	mA
Storage Temperature	-40 ~ +85	°C
Operating Temperature	-30 ~ +70	°C
Connection Method	PC Pins	
Mount Type	Thru-Hole	
Housing Material	NORYL	
Weight	10	g

REVISION HISTORY			
REV	DESCRIPTION	DATE	APPROVED
	Released from Engineering	10/21/2013	J.S.
1	Updated to new template	12/12/2018	C.E.

- NOTES
- 1) All dimensions are in mm unless otherwise noted
 - 2) All tolerances are ± 0.5 mm unless otherwise noted
 - 3) All parts meet RoHS
 - 4) Subject to change or redrawn without notice