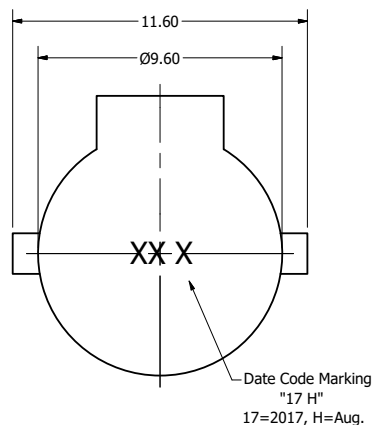
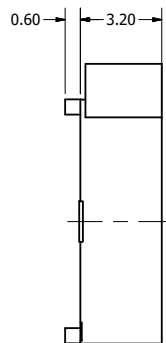


| | | |
|--|------------------|----------|
| Part Number: TE092603-1 | DRAWN CJ | 8/2/2017 |
| | CHECKED P.D. | 8/3/2017 |
| | APPROVED C.E. | 8/3/2017 |
| Description: Electro-Mechanical Transducer | | |
| This document contains data proprietary to DB Unlimited. Any use or reproduction, in any form, without prior written permission of DB Unlimited is prohibited. All terms and conditions can be found at www.dbunlimitedco.com | | |

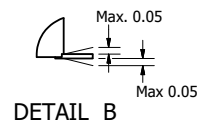
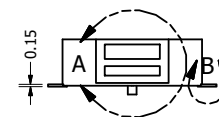
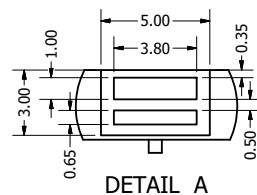
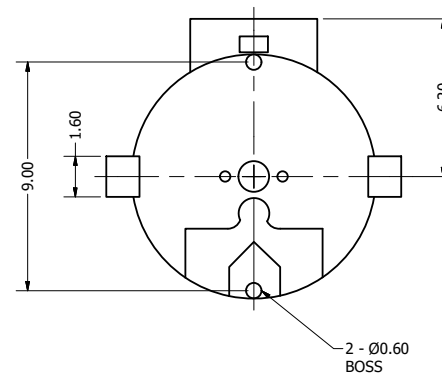
Top View



Side View



Bottom View



| Items | Specifications | Conditions |
|-----------------------|--------------------|-------------|
| Sound Pressure Level | 90 | dB (@ 10cm) |
| Resonant Frequency | 2670 | Hz |
| Rated Voltage | 3.6 | V |
| Voltage Range | 2 ~ 5 | V |
| Coil Resistance | 16 | Ω |
| Max. Rated Current | 80 | mA |
| Storage Temperature | -30 ~ +70 | °C |
| Operating Temperature | -30 ~ +70 | °C |
| Connection Method | Surface Mount Pads | |
| Mount Type | Surface Mount | |
| Housing Material | LCP | |
| Weight | 0.5 | g |

REVISION HISTORY

| REV | DESCRIPTION | DATE | APPROVED |
|-----|-------------------------------|------------|----------|
| | Released from Engineering | 10/21/2013 | J.S. |
| 1 | Changed p/n from TE062603-1 | 8/19/2014 | J.S. |
| 2 | New tmplate, add detail views | 8/2/2017 | C.E. |

NOTES

- 1) All dimensions are in mm unless otherwise noted
- 2) All tolerances are ± 0.2 mm unless otherwise noted
- 3) All parts meet RoHS
- 4) Subject to change or redrawn without notice